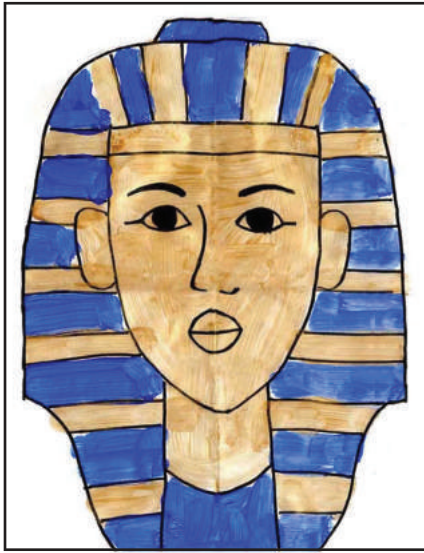
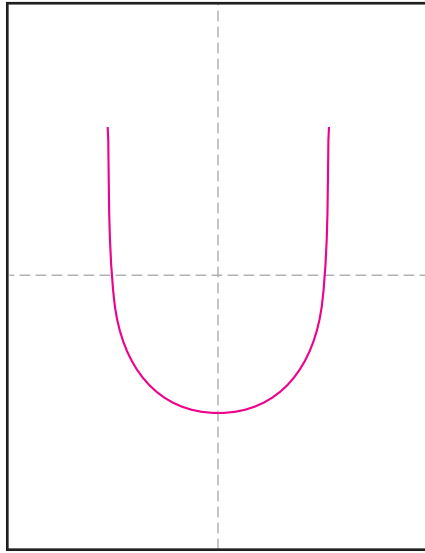


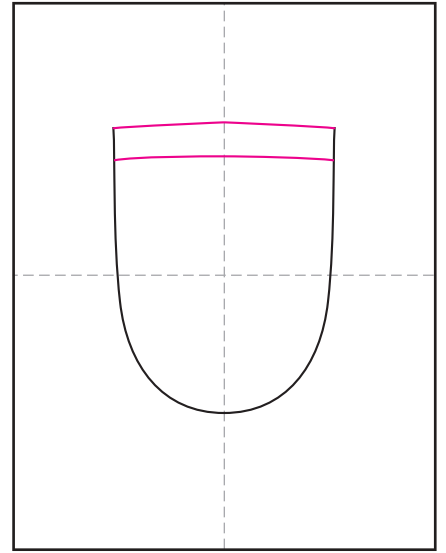
# Draw King Tut



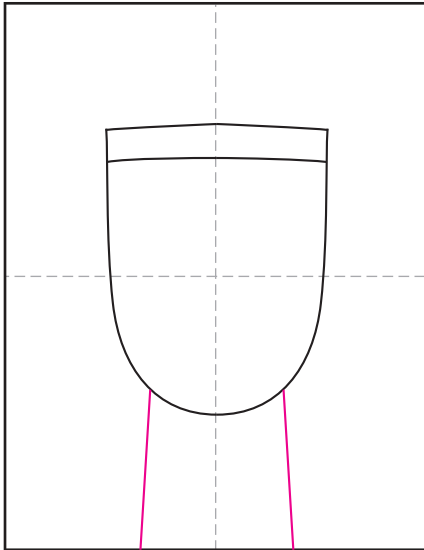
Supplies: Black marker, tempera.



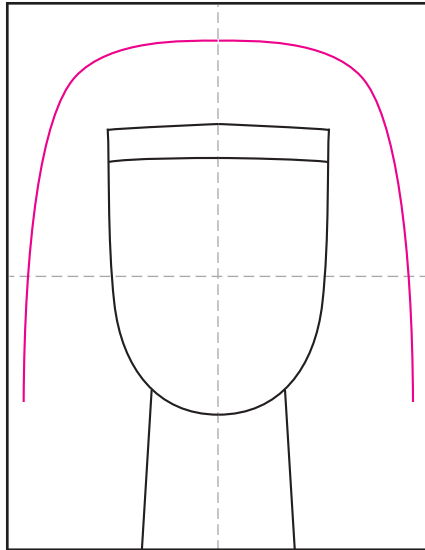
1. Make guide lines. Draw a U.



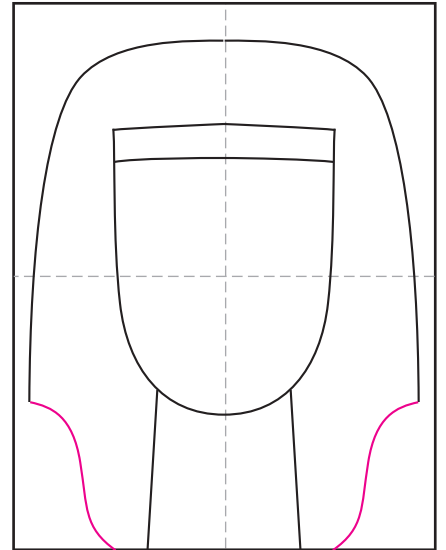
2. Close the top with two lines.



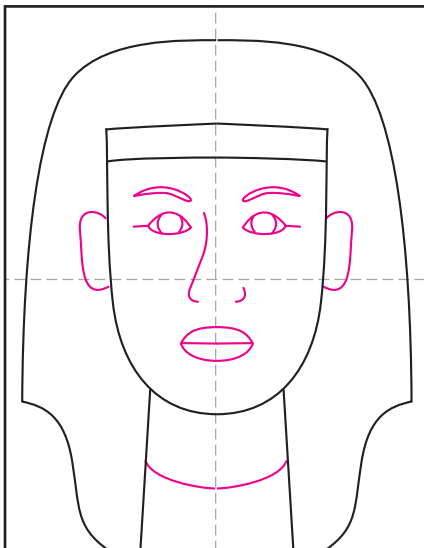
3. Draw a neck.



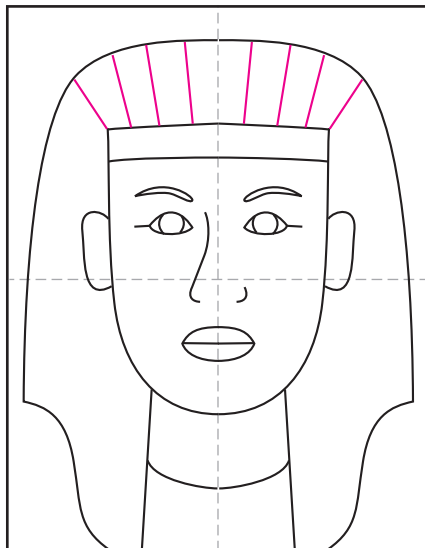
4. Draw the top head dress.



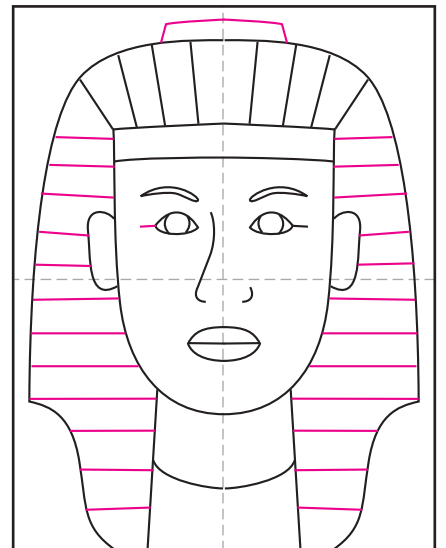
5. Finish the bottom head dress.



6. Add facial features and neck line.



7. Start the top dressing with stripes.



8. Finish the bottom stripes.