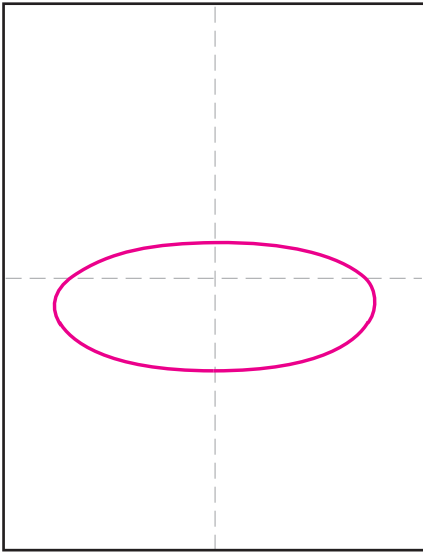
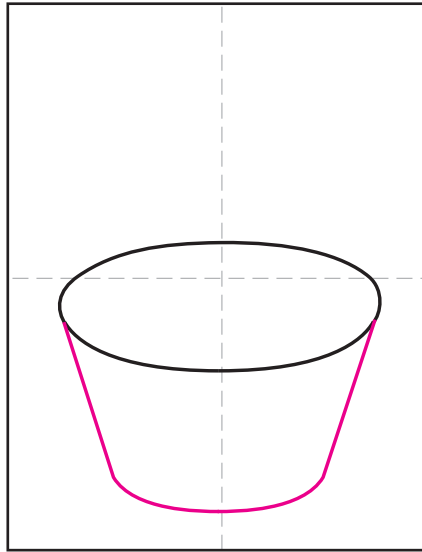


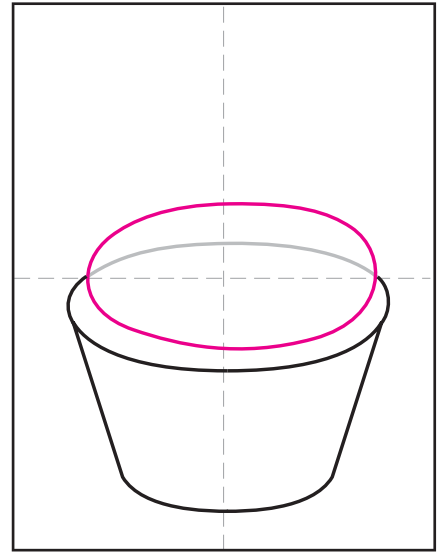
Draw a Cupcake



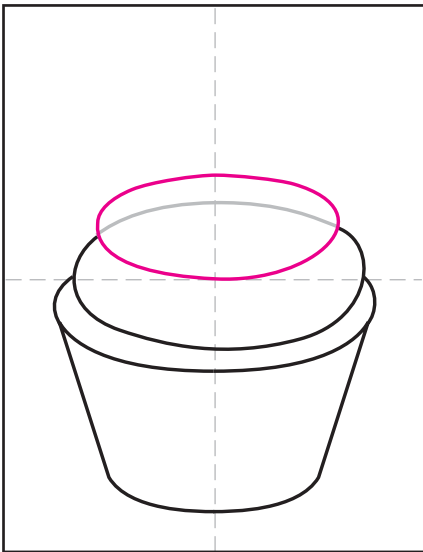
1. Start by drawing a wide oval.



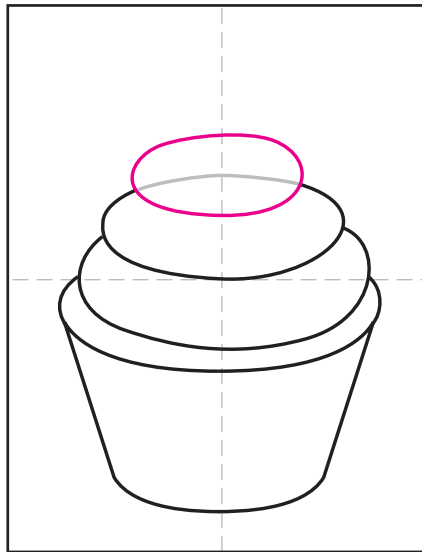
2. Add the sides and a curved bottom.



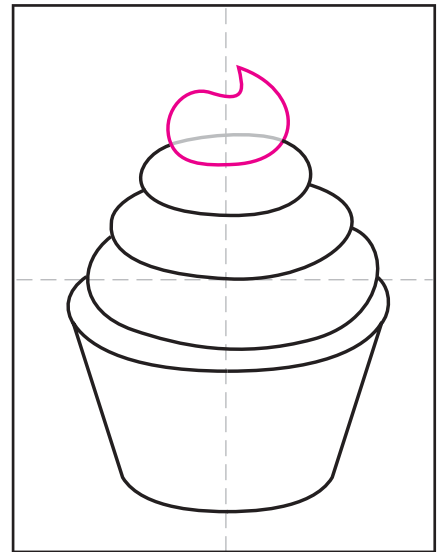
3. Draw large oval on top, erase inside.



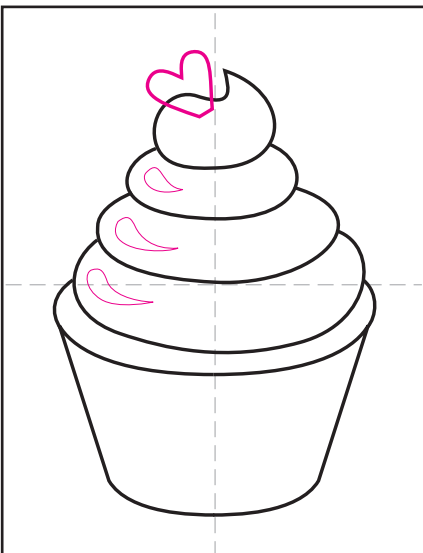
4. Draw medium oval on top, erase inside.



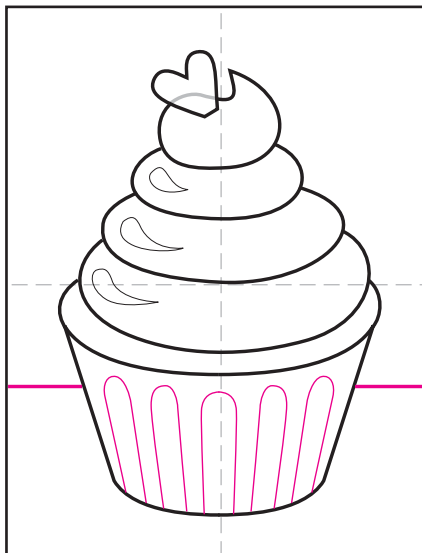
5. Draw smaller oval on top, erase inside.



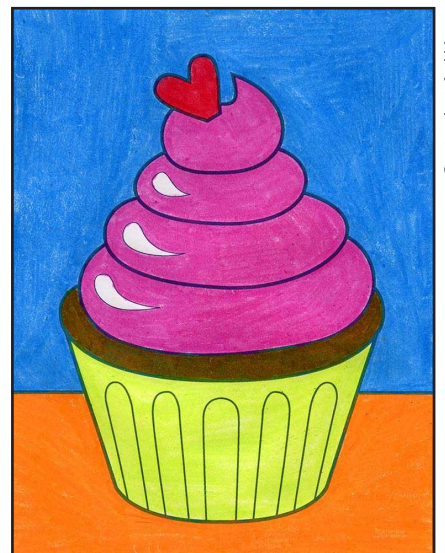
6. Add swirl on top, erase inside.



7. Add a heart and highlight shapes.



8. Draw holder details and back line.



9. Trace with a marker and color.

Cupcake

