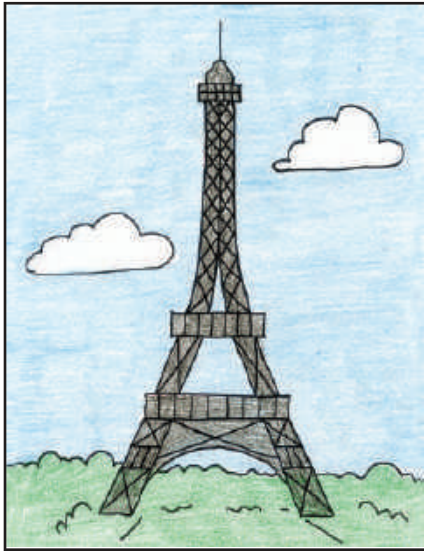
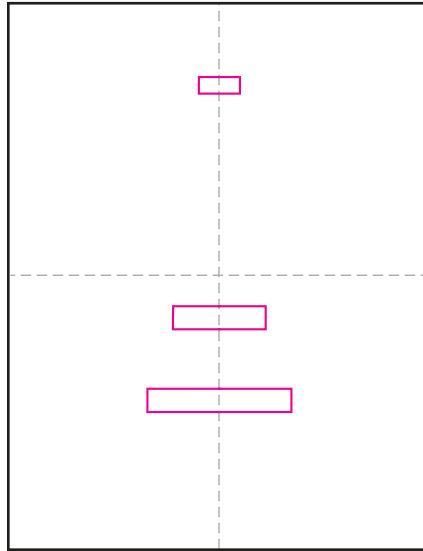


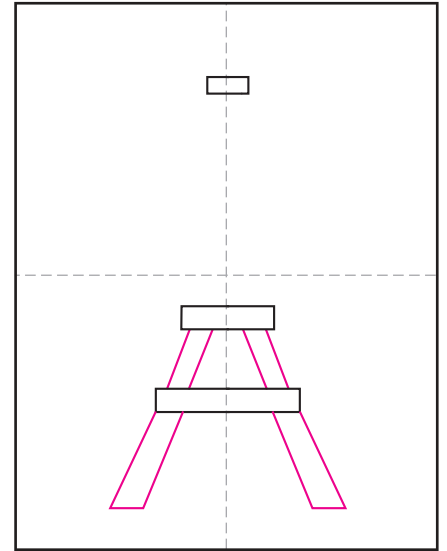
Draw the Eiffel Tower



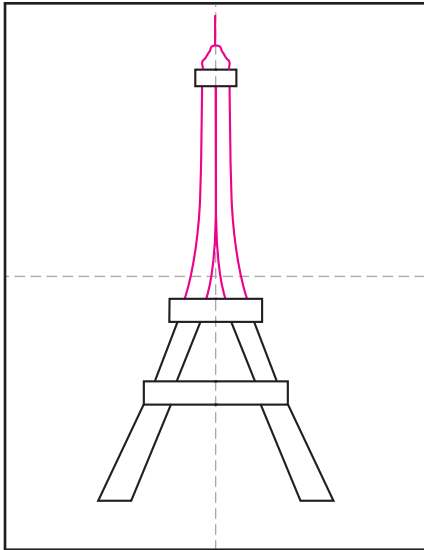
Supplies: Marker, crayons.



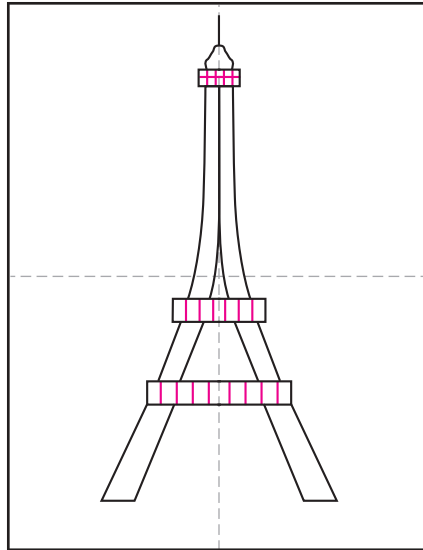
1. Make guide lines. Draw 3 boxes.



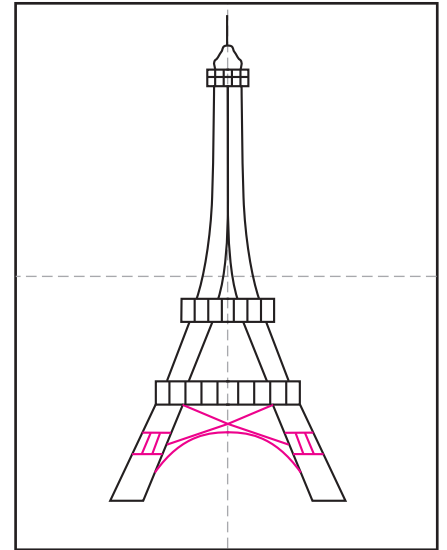
2. Draw bottom tower legs.



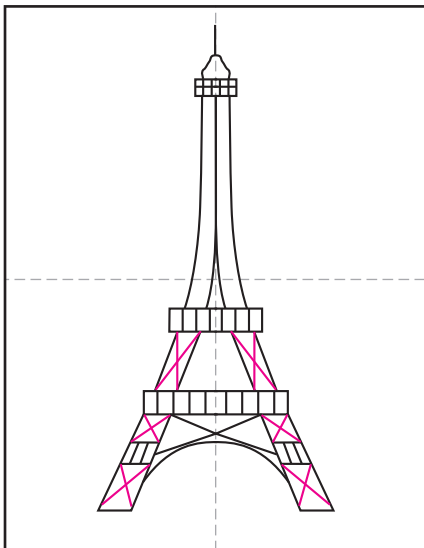
3. Finish upper tower and top.



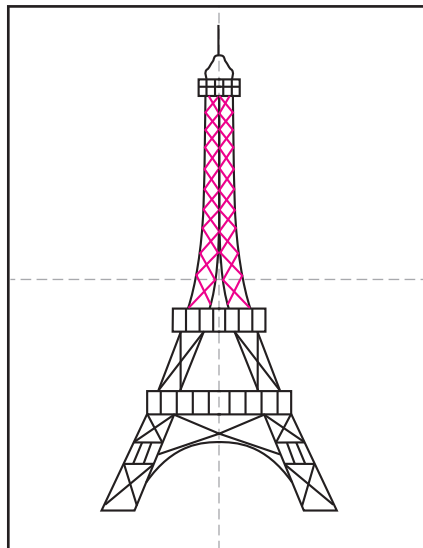
4. Add vertical line details.



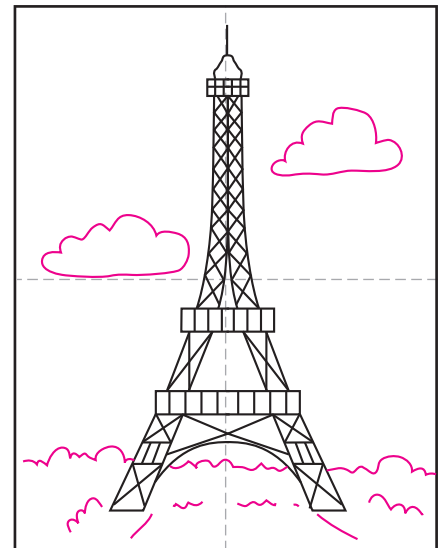
5. Draw bottom tower details.



6. Add bottom tower Xs.



7. Add upper tower Xs.



8. Finish with landscape and sky.

