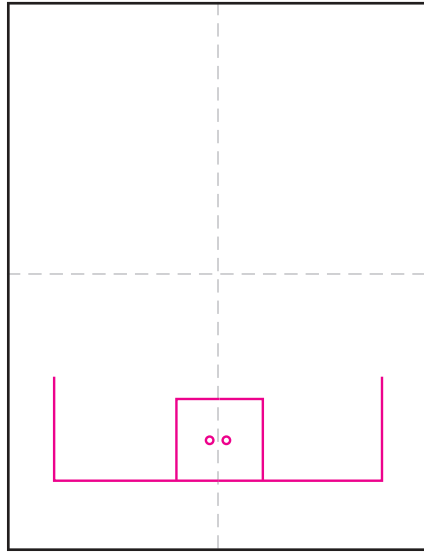
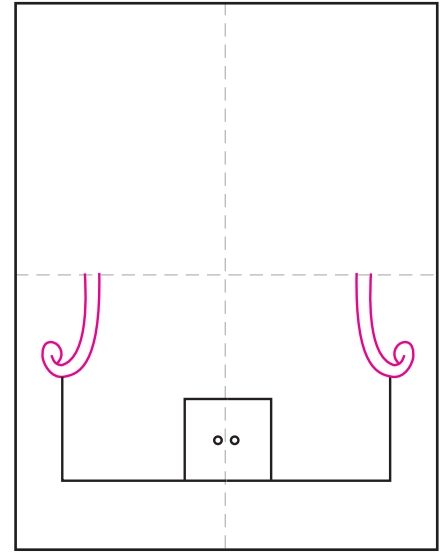


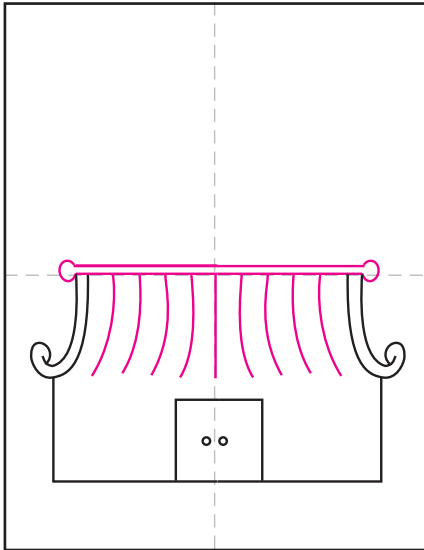
Draw an Asian House



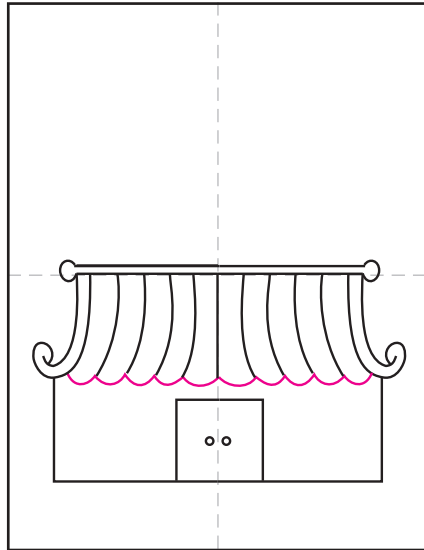
1. Make guide lines. Draw door, walls.



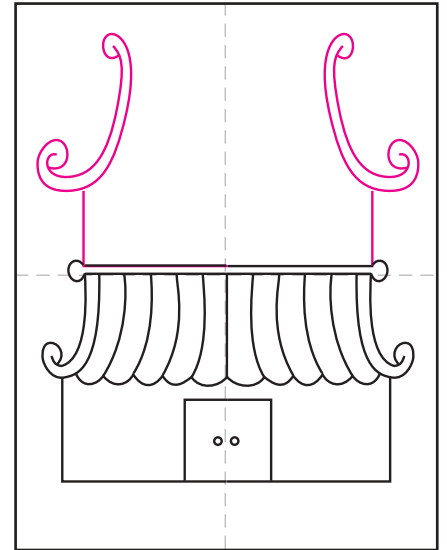
2. Draw the curvy side of roof.



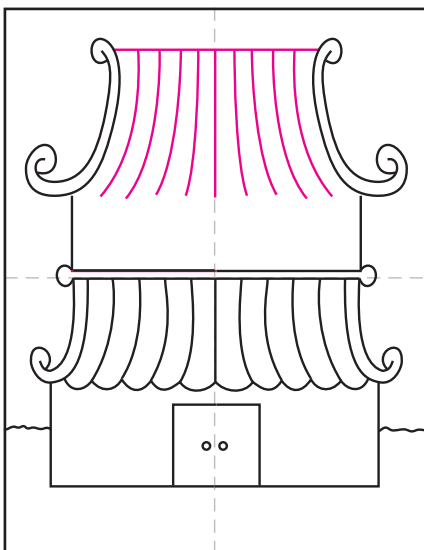
3. Draw top of roof and roof lines.



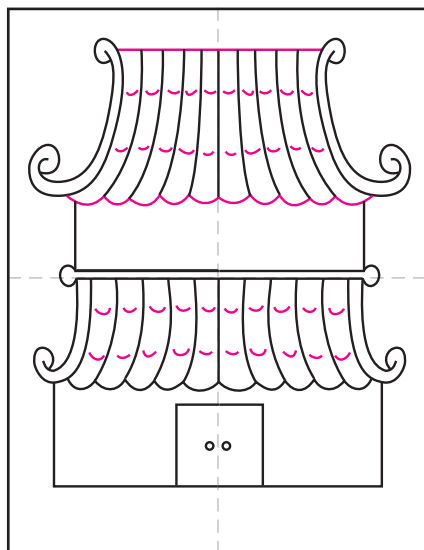
4. Connect roof lines with wavy line.



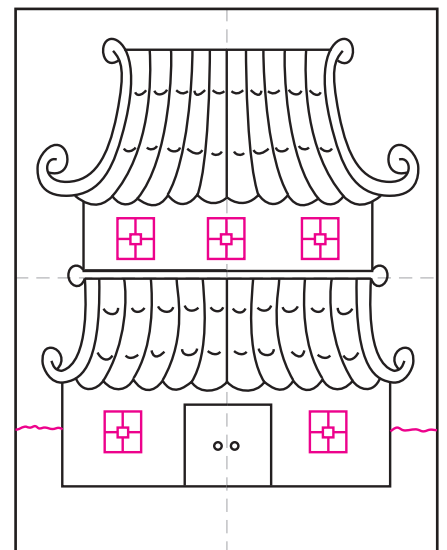
5. Start top floor walls, curve sides.



6. Draw top of roof and roof lines.



7. Connect roof lines. Add details.



8. Add the windows, horizon line.