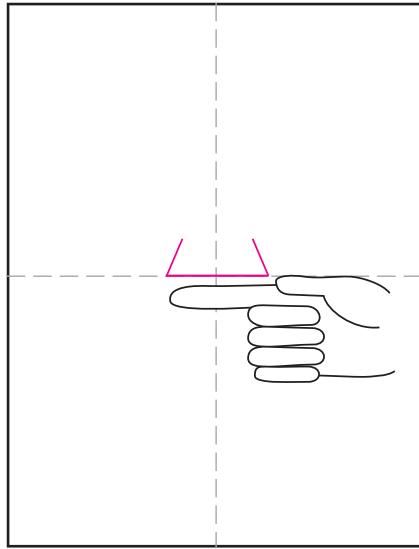


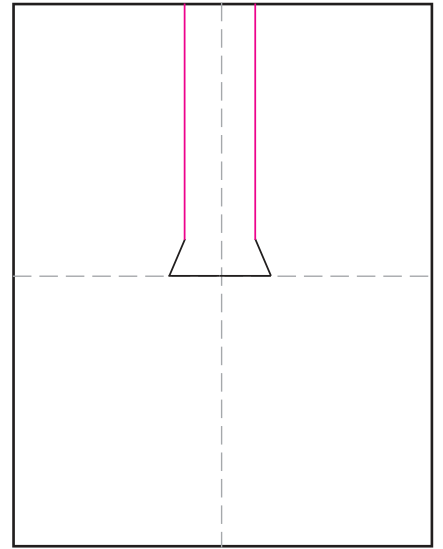
Abstract Face



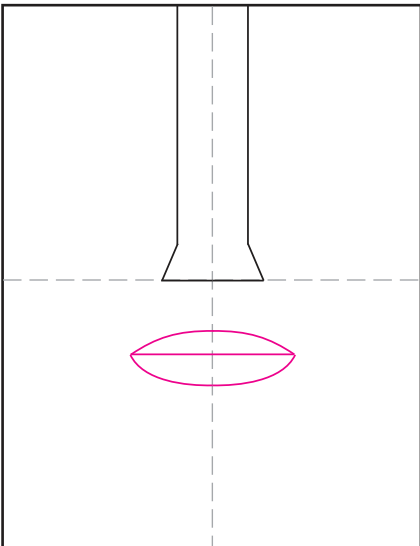
Supplies: Marker, crayons, liquid watercolor paint, watercolor paper



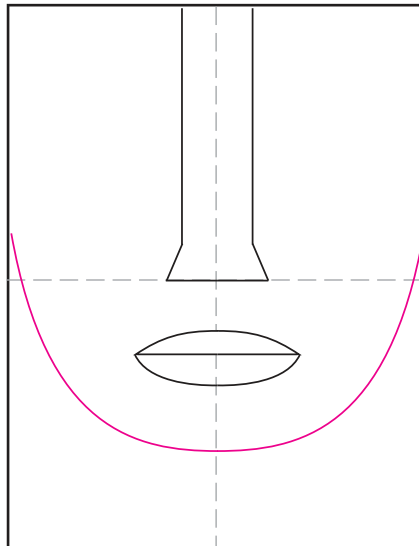
1. Make guide lines. Start the nose.



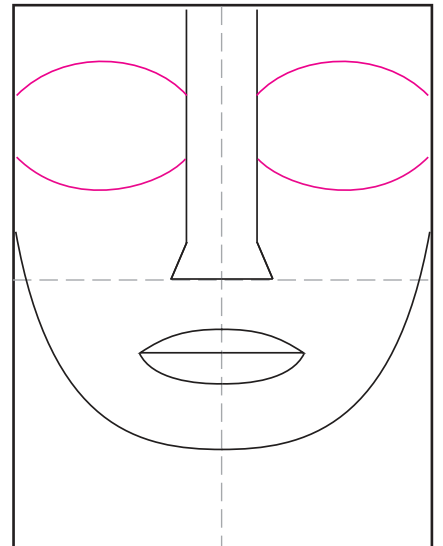
2. Add two lines going up.



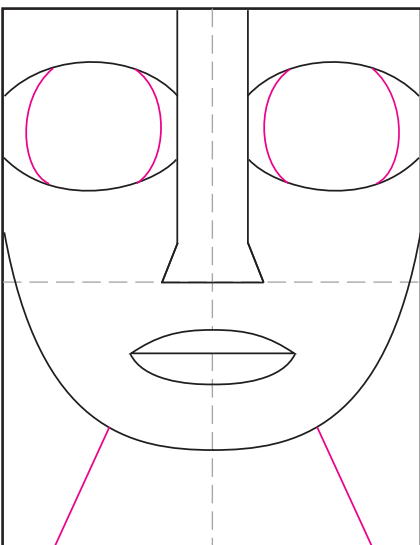
3. Draw a mouth.



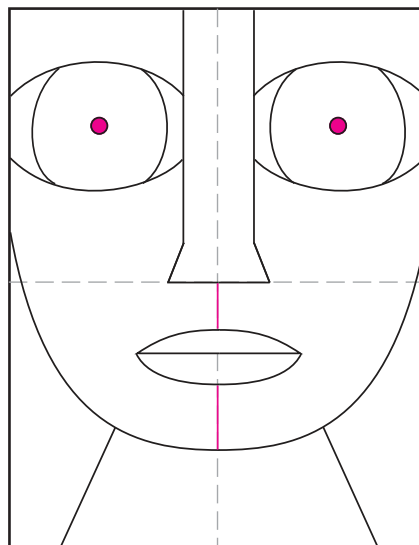
4. Draw the chin.



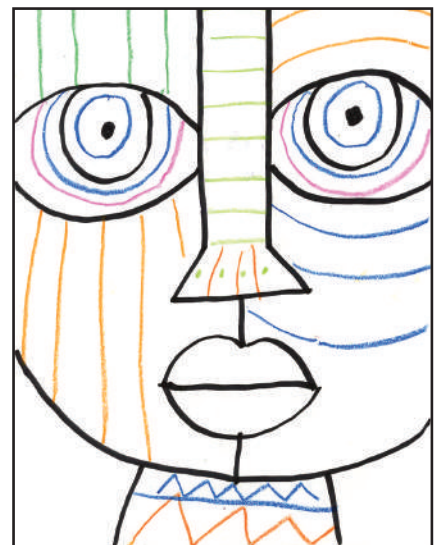
5. Draw four curved lines.



6. Finish the eyes. Add the neck.



7. Add center of eyes and mouth lines.



8. Trace, add crayon patterns, paint.