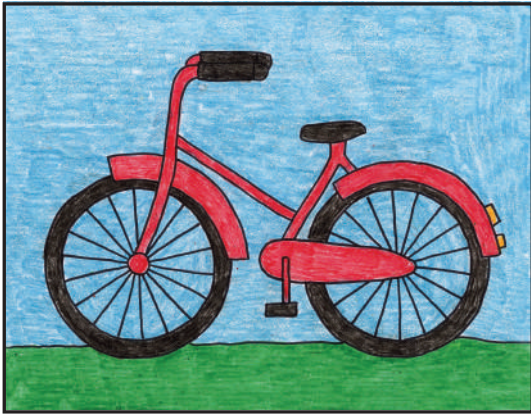
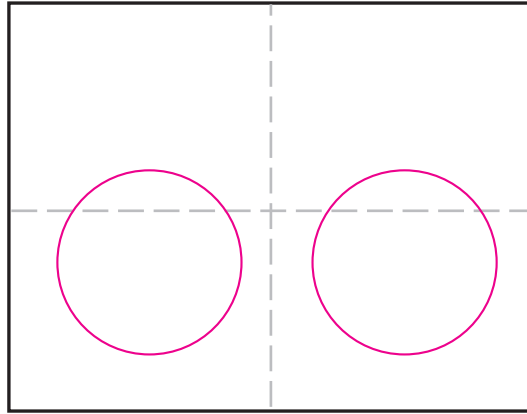


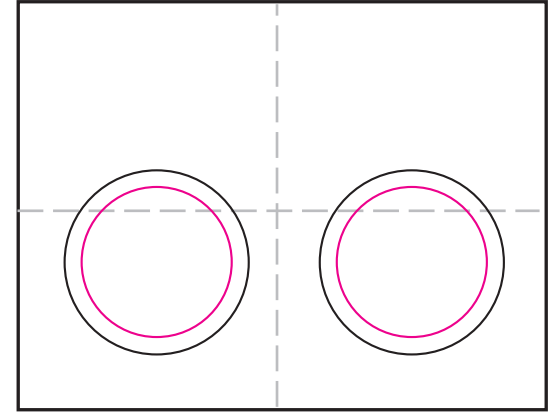
Draw a Bike



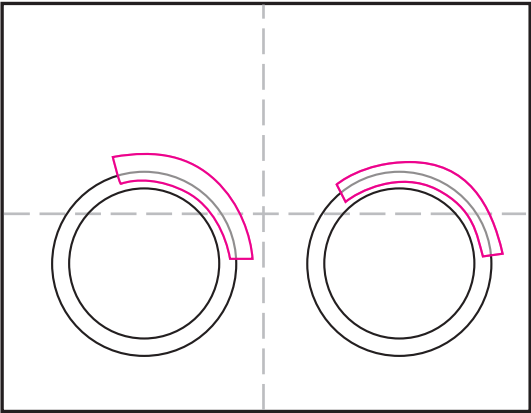
Supplies: Marker, crayons



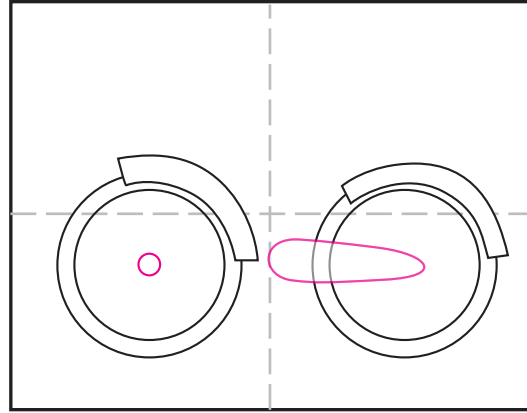
1. Make guide lines. Draw two circles.



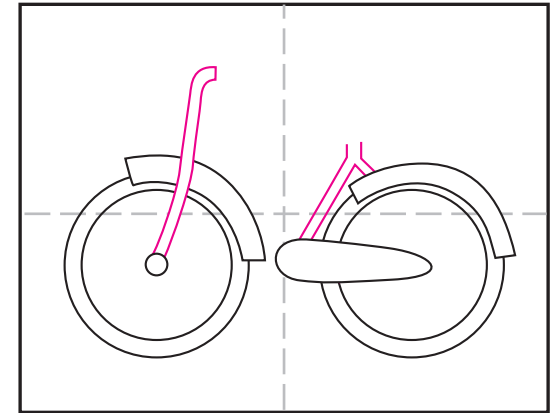
2. Draw inside circles.



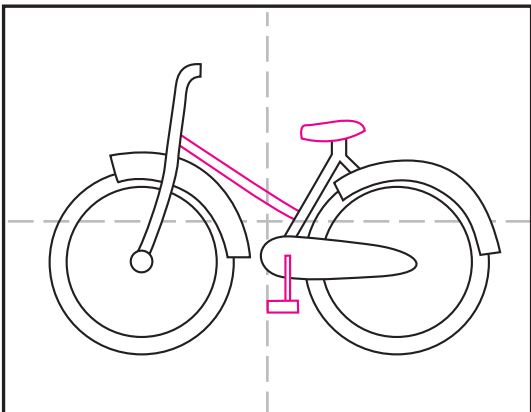
3. Add two fenders.



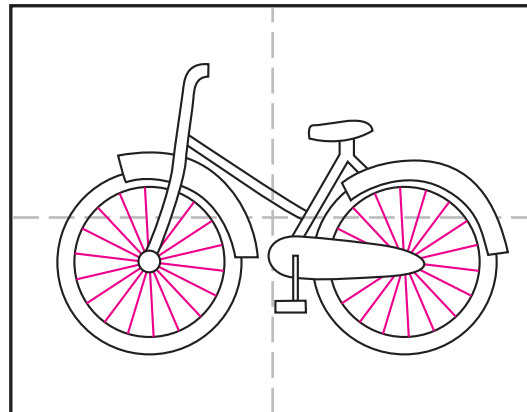
4. Draw the center tire parts.



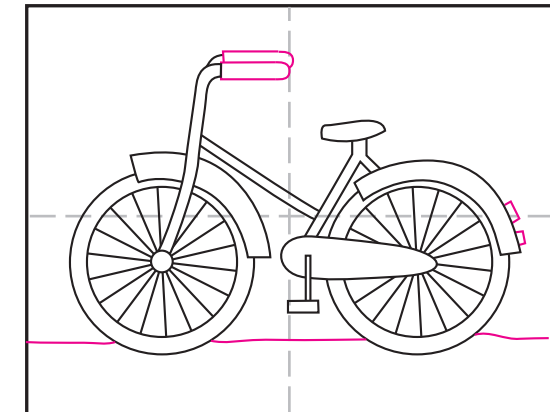
5. Draw the bike bars.



6. Add foot pedal, seat and bar.



7. Draw tire spokes.



8. Add handles, reflectors and horizon line.