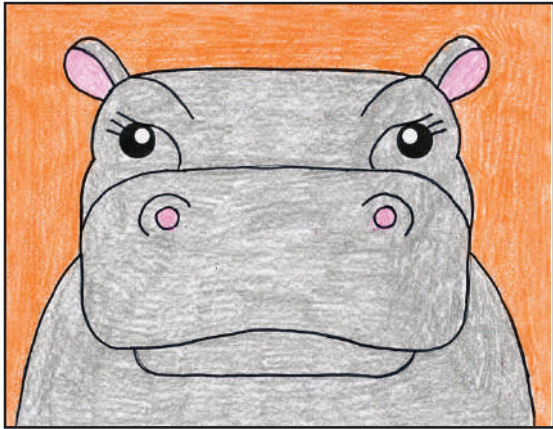
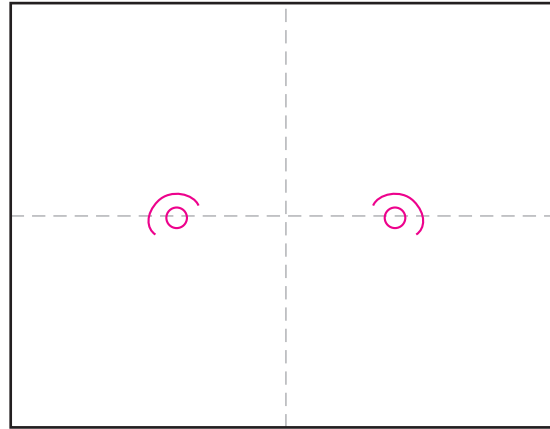


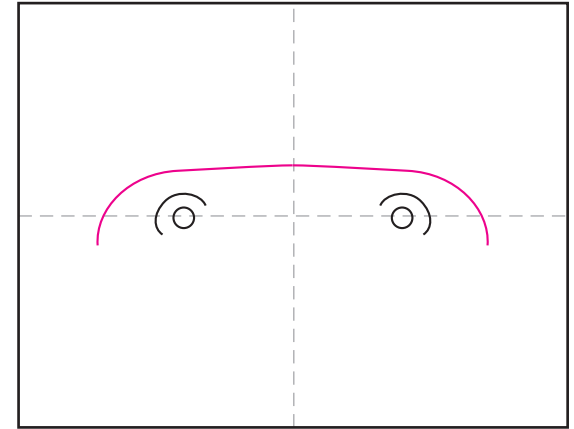
Draw a Hippo Head



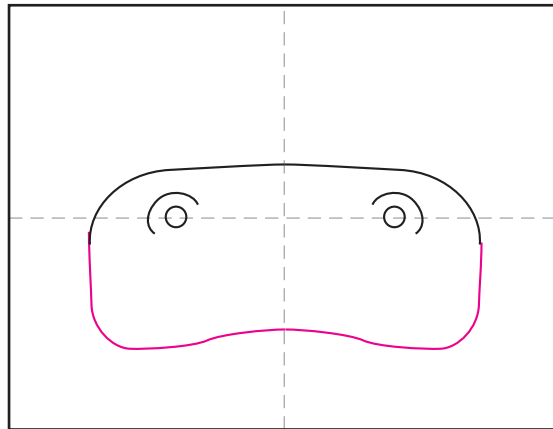
Supplies: Black marker, Crayola crayons.



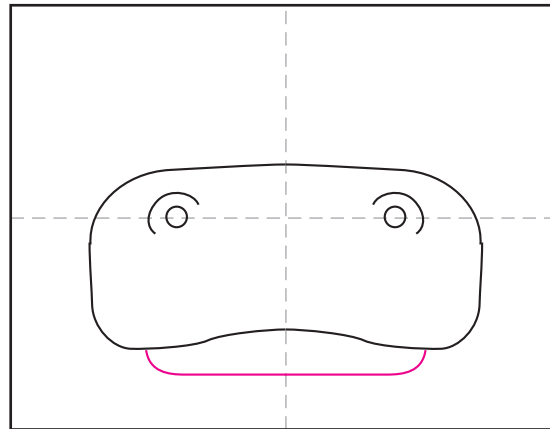
1. Draw the nose holes.



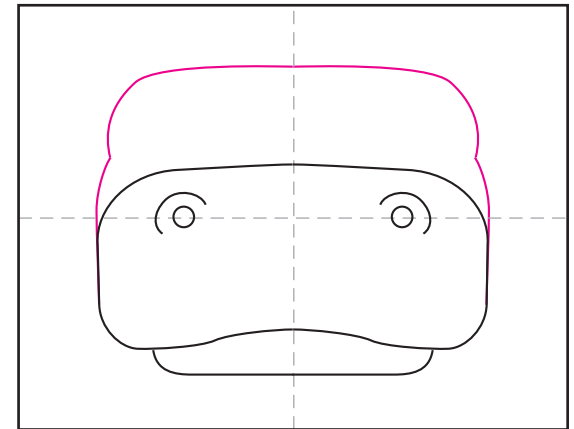
2. Add top nose curve.



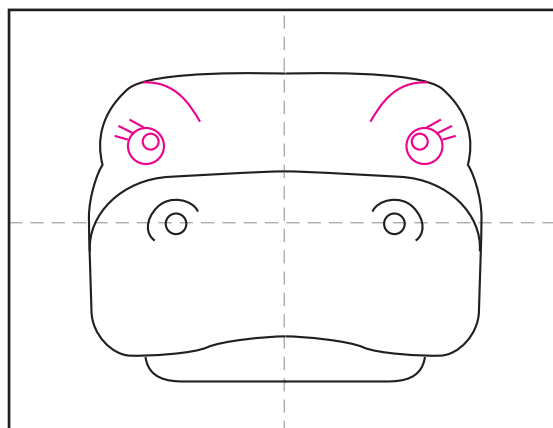
3. Draw bottom of the nose.



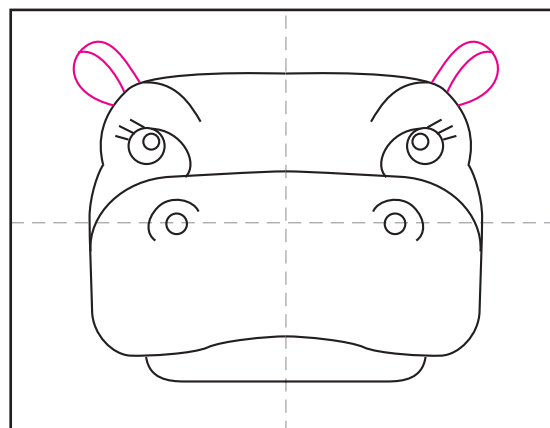
4. Draw the bottom mouth line.



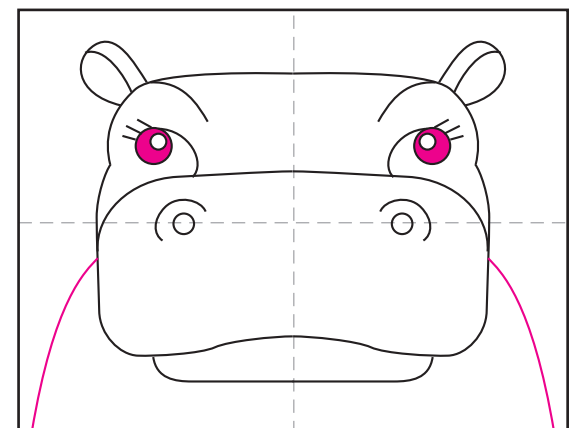
5. Draw top of the head.



6. Add the eyes and eyebrows.



7. Draw two ears.



8. Draw two shoulder lines. Fill in eyes.