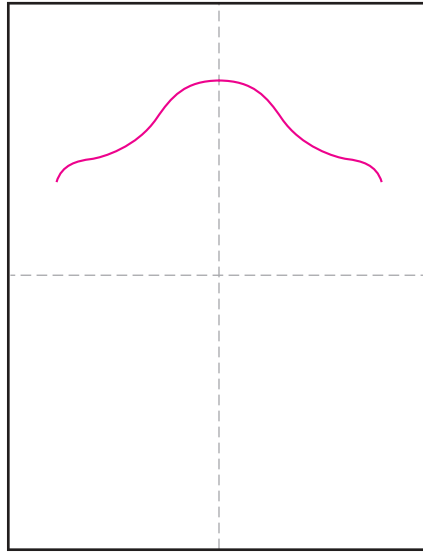


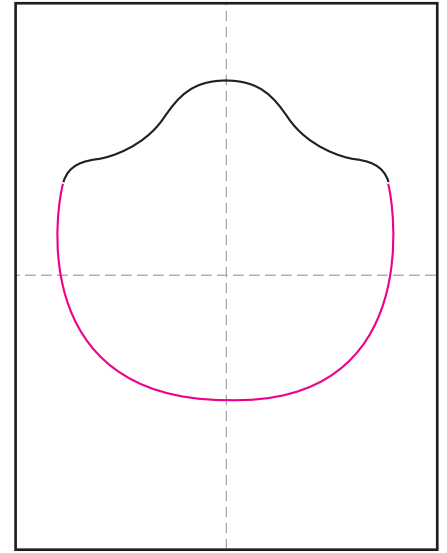
# Draw a Sea Shell



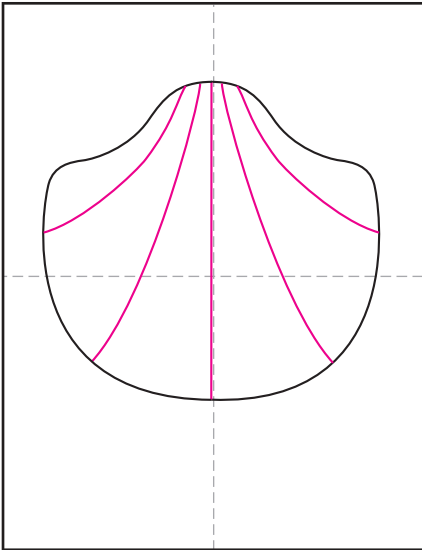
Supplies: Marker, crayon



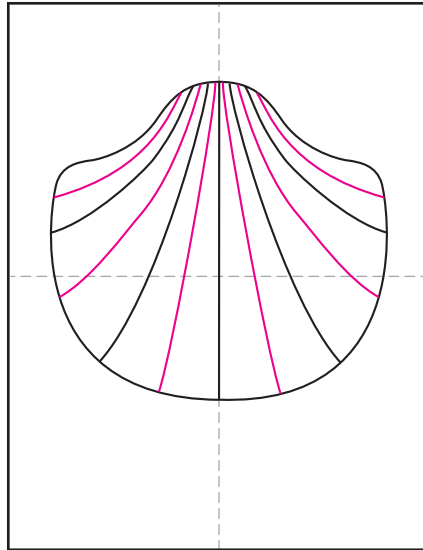
1. Make guide lines. Start shell top.



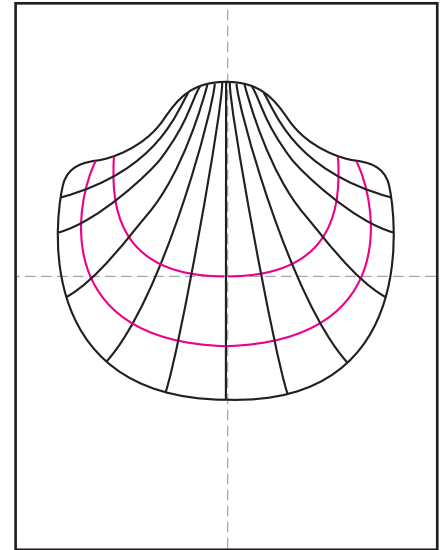
2. Add the bottom of the shell.



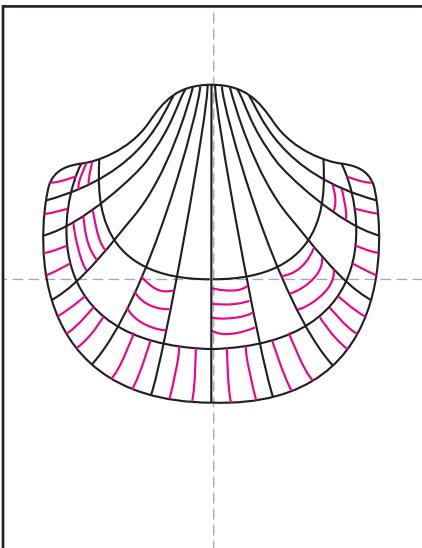
3. Draw five dividing lines.



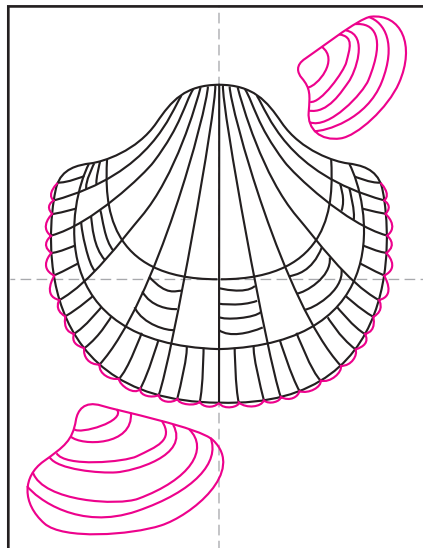
4. Add lines in between.



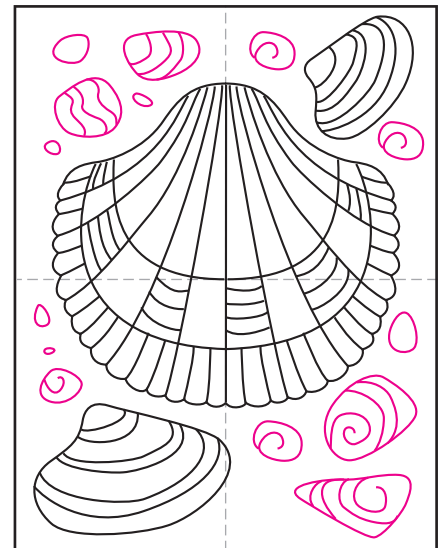
5. Draw two curved lines.



6. Add the lines in shell sections.



7. Draw scallop edge. Add shells.



8. Add stones and spirals until filled.