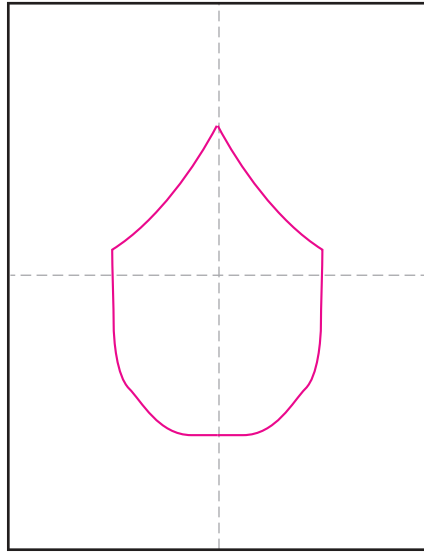


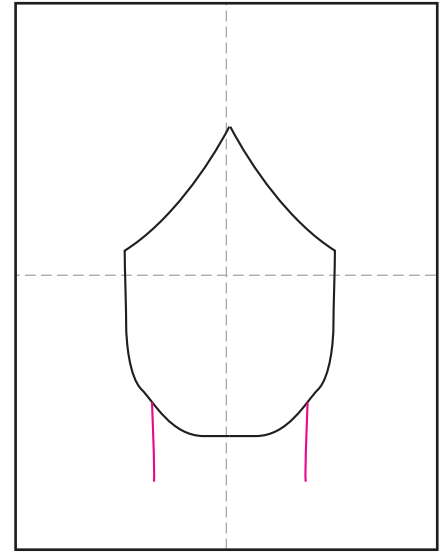
Draw Frida Kahlo



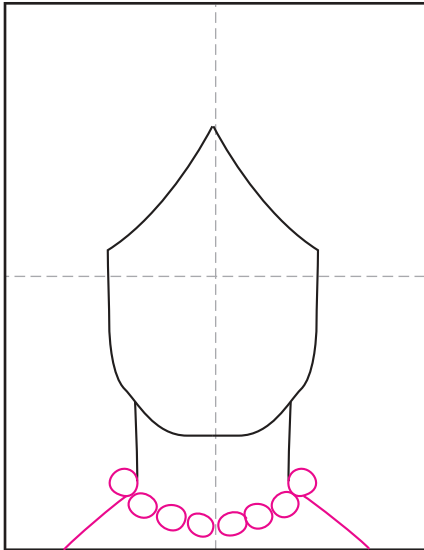
Supplies: Black paper, oil pastels.



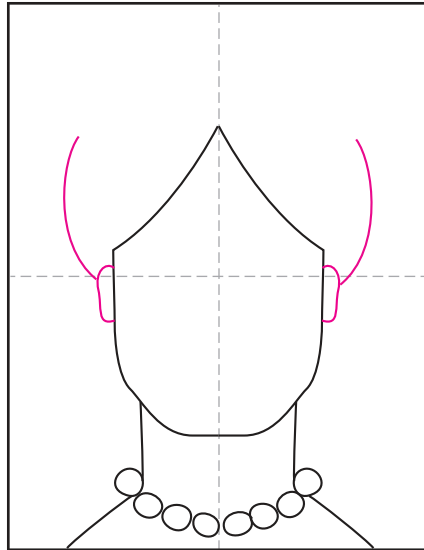
1. Make guide lines. Start the face.



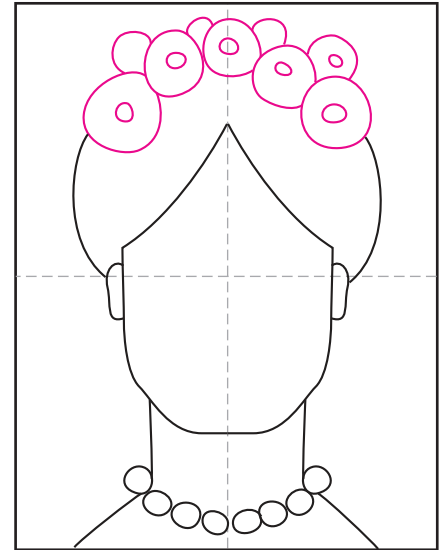
2. Add the neck.



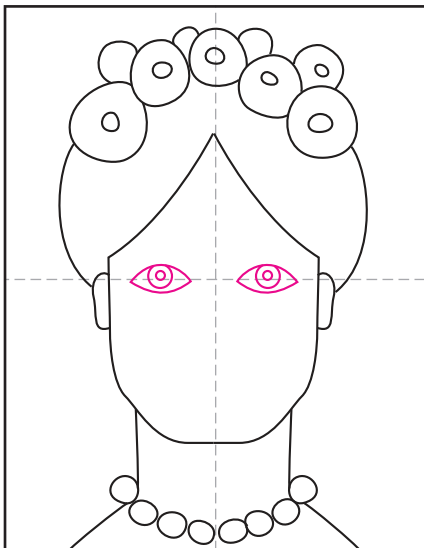
3. Draw necklace and shoulders



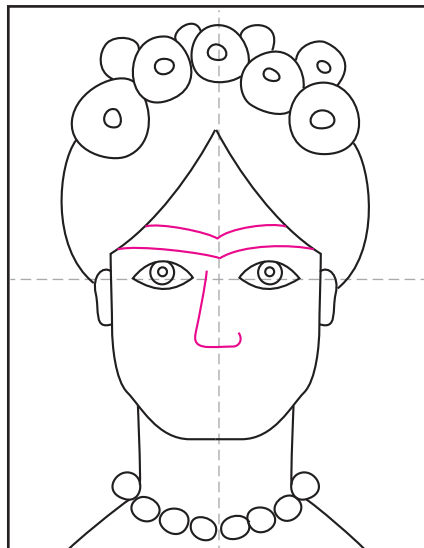
4. Draw ears and side hair.



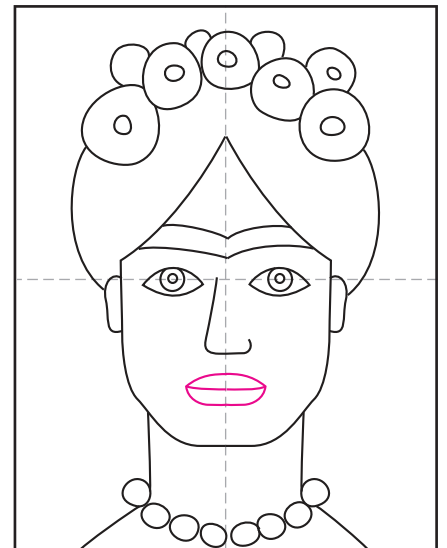
5. Add flowers on top of head.



6. Draw eyes on center line.



7. Add eyebrows and nose.



8. Finish with mouth.