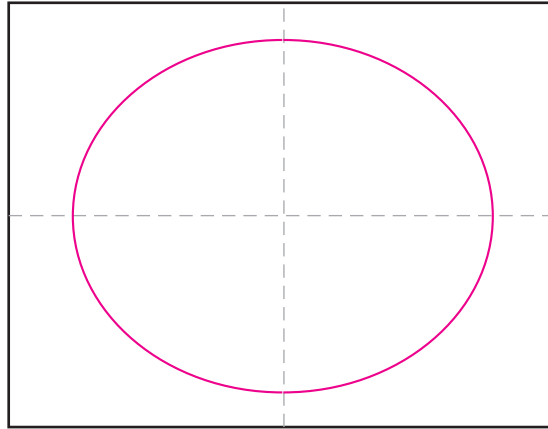


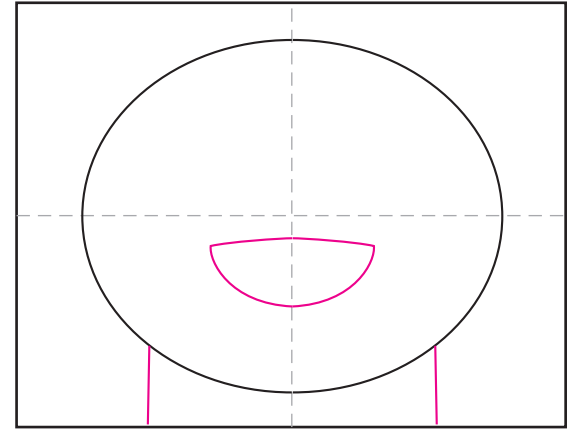
# Draw a Tiger



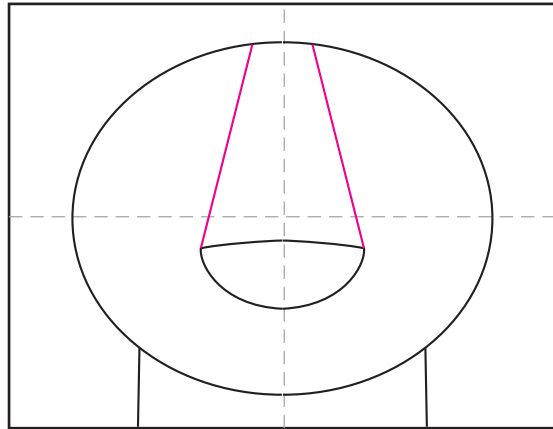
Supplies: Black marker and crayons.



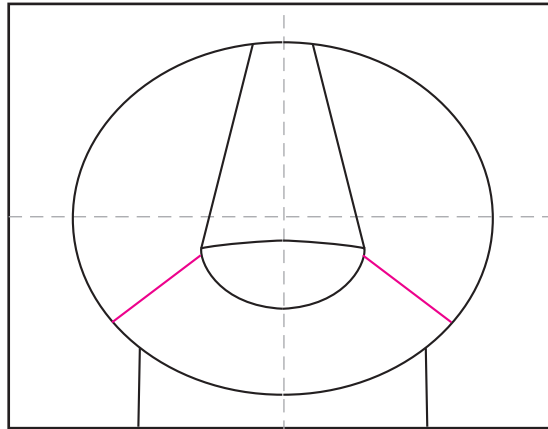
1. Make the guide lines. Draw a large oval.



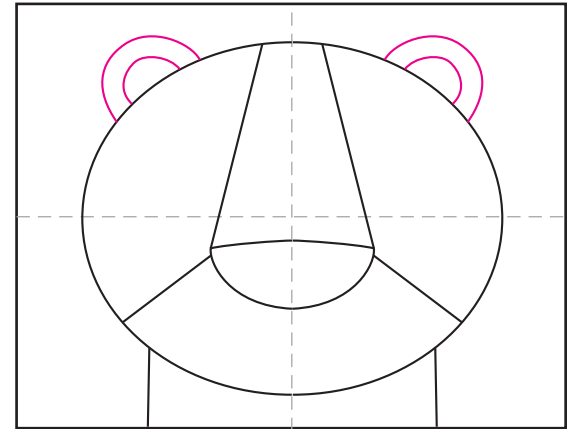
2. Draw neck lines and nose.



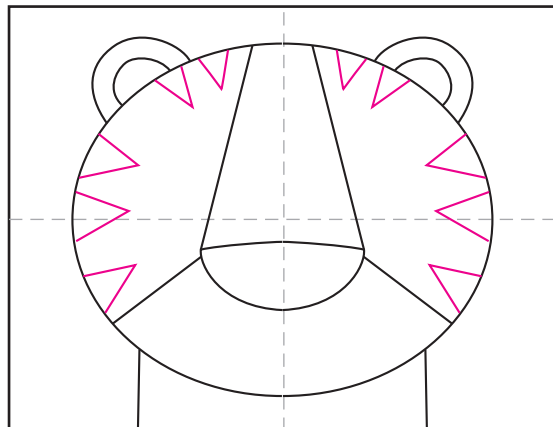
3. Add lines above nose.



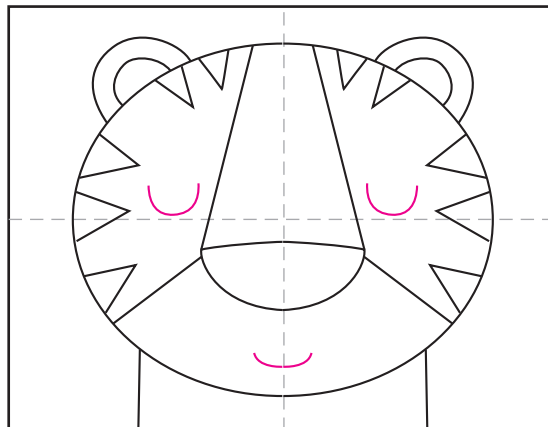
4. Draw cheek lines.



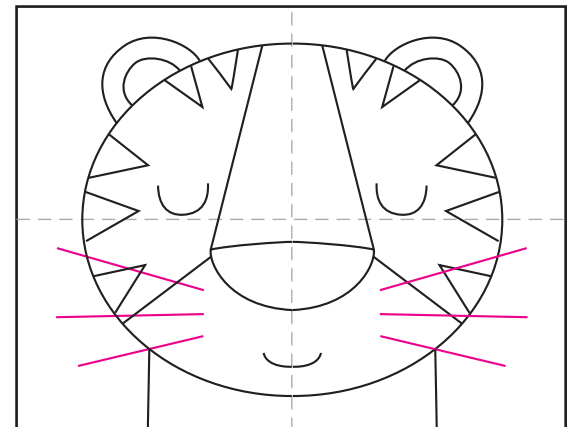
5. Add ears.



6. Draw triangles around face.



7. Draw two eyes and mouth.



8. Add whiskers.