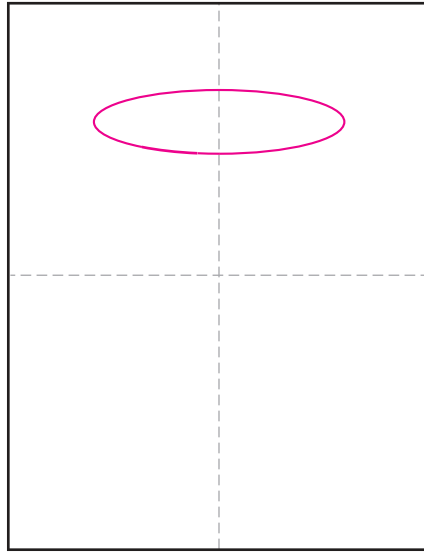


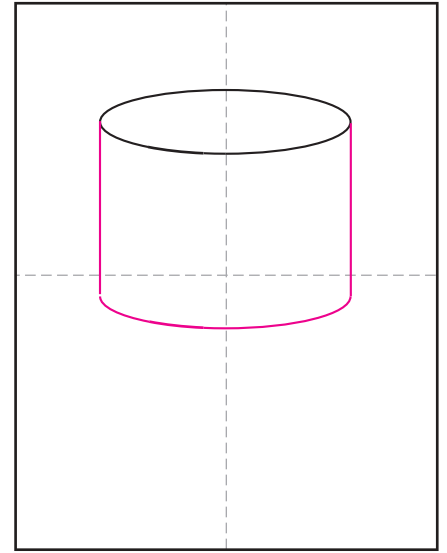
Draw a Cake



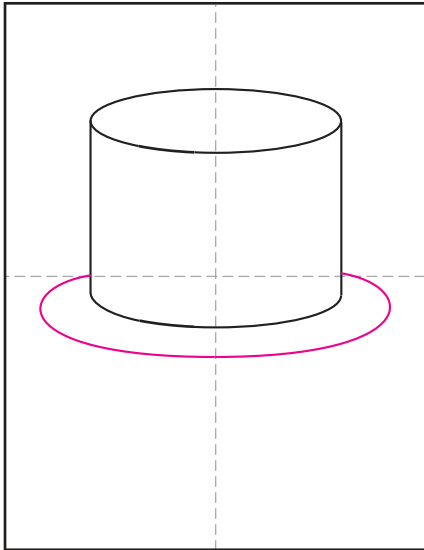
Supplies: Marker, crayon



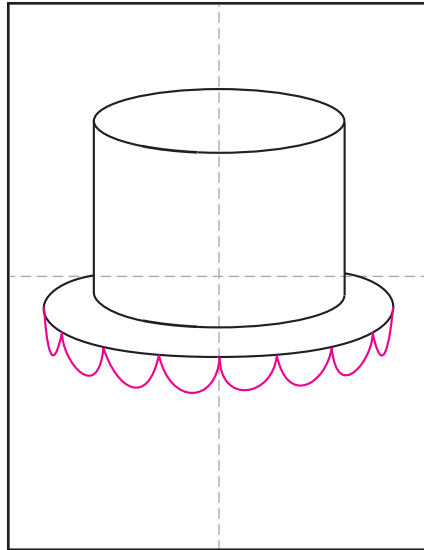
1. Make guide lines. Draw oval.



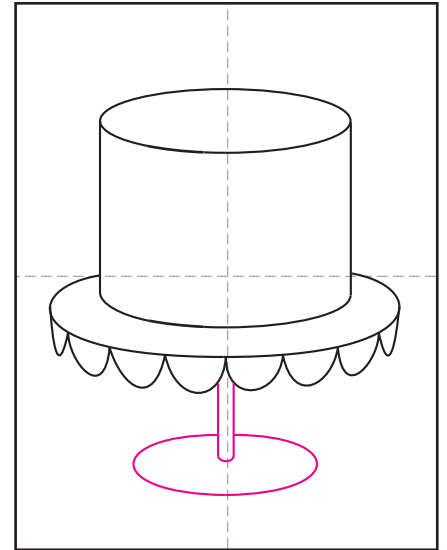
2. Draw cake sides and bottom.



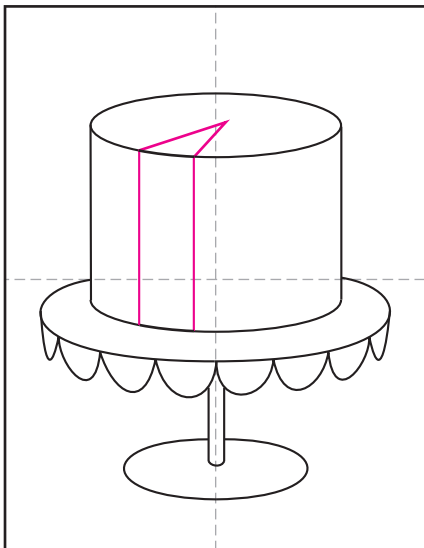
3. Add oval plate.



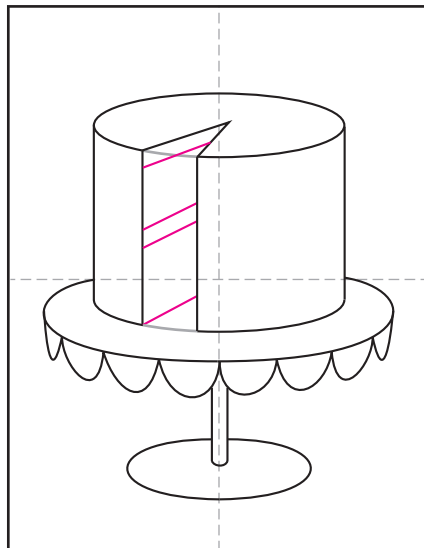
4. Add plate scallops.



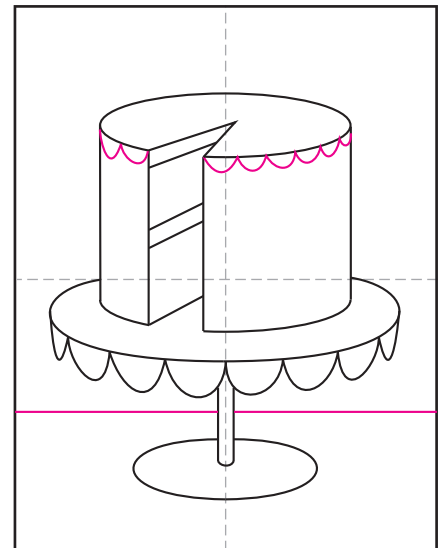
5. Finish plate stand.



6. Draw cake slice lines.



7. Erase lines, add frosting lines.



7. Add cake scallops and table edge.