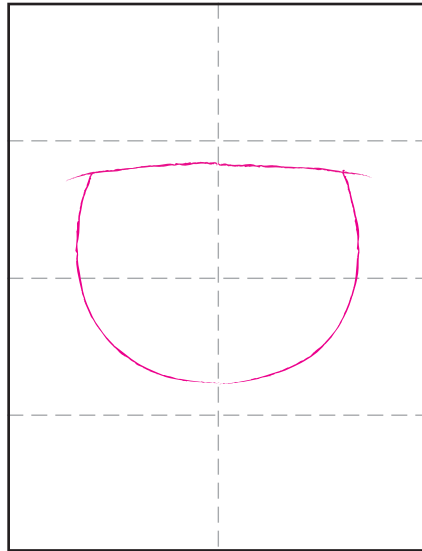


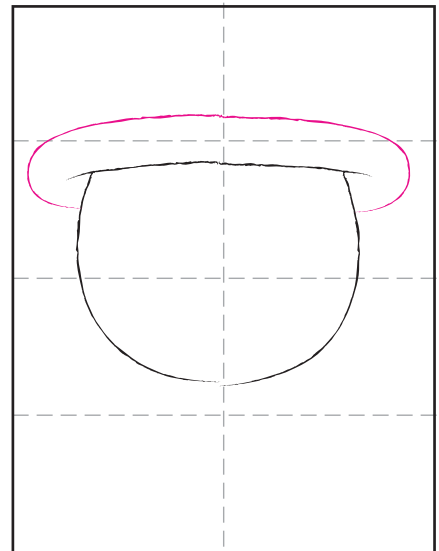
Draw a Scarecrow



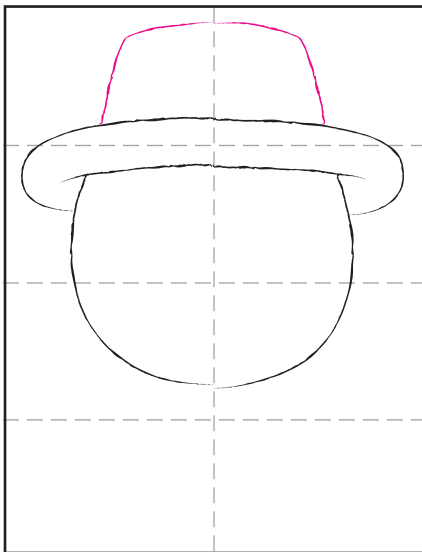
Supplies: Marker, crayon, watercolor.



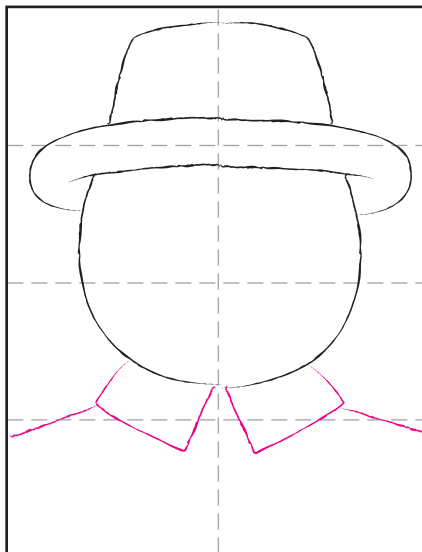
1. Make guide lines. Start head.



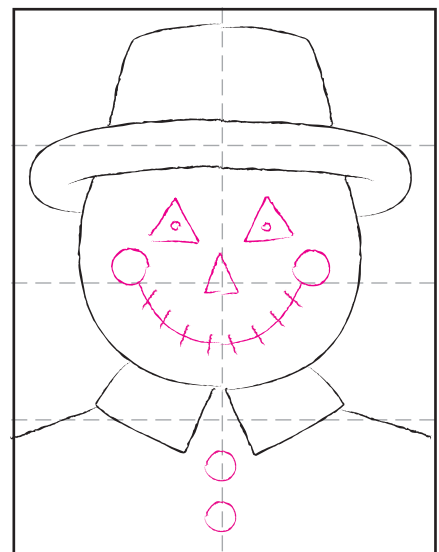
2. Add brim of the hat.



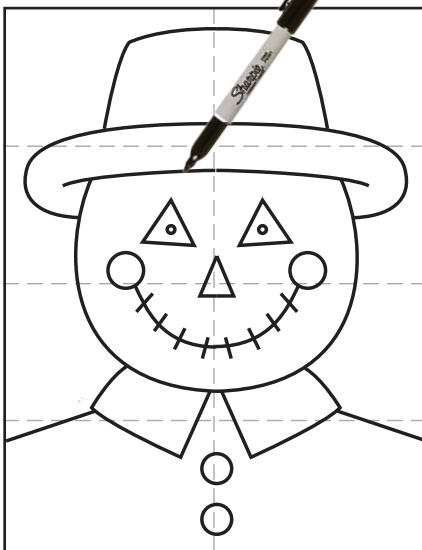
3. Finish the top hat.



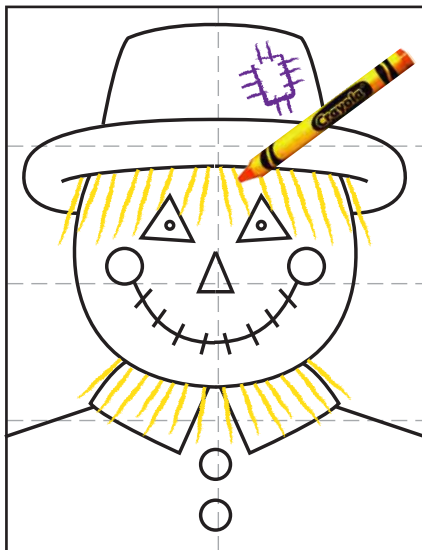
4. Add collar and shoulder lines.



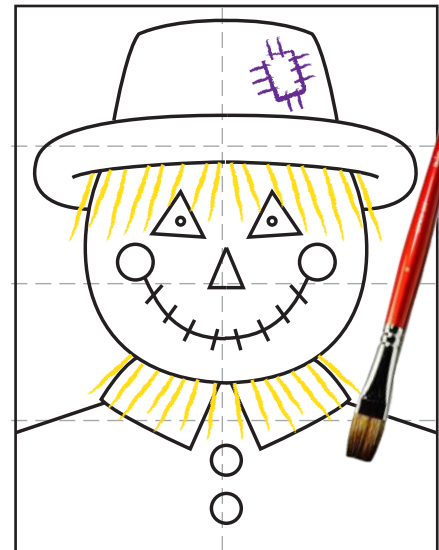
5. Draw face and buttons.



6. Trace with permanent marker.



7. Add details with crayon.



8. Paint over all with watercolor.