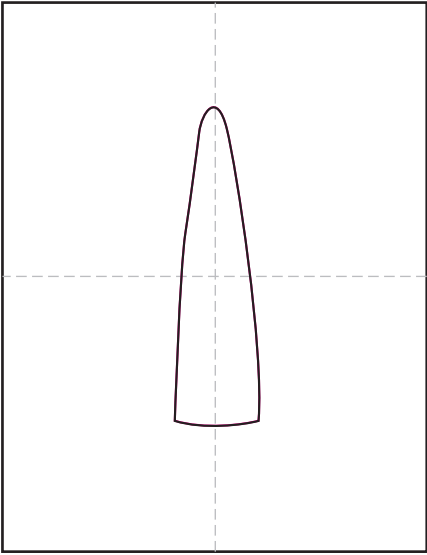
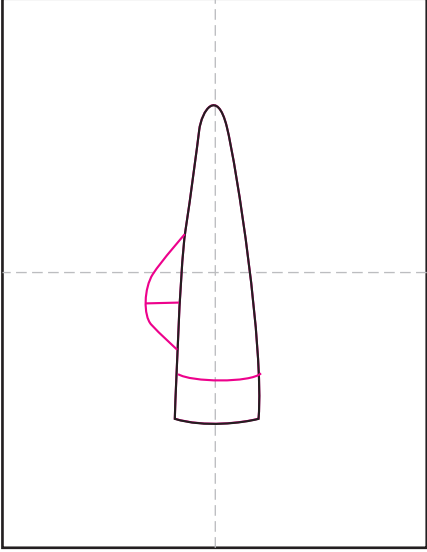


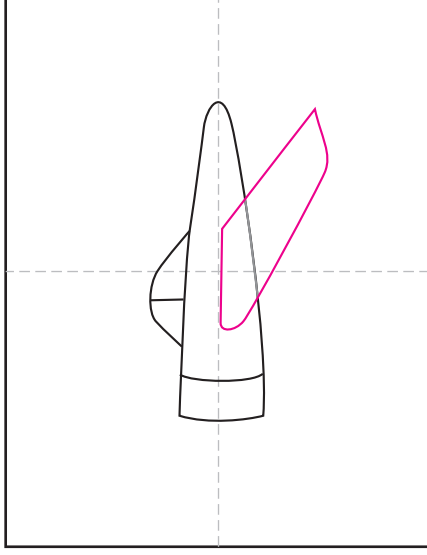
Draw a WW2 Plane



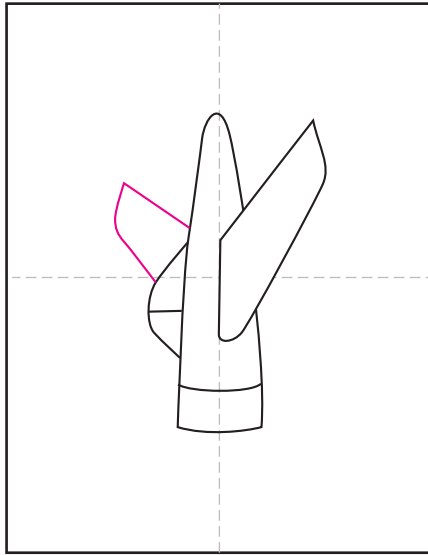
1. Draw the body of the plane.



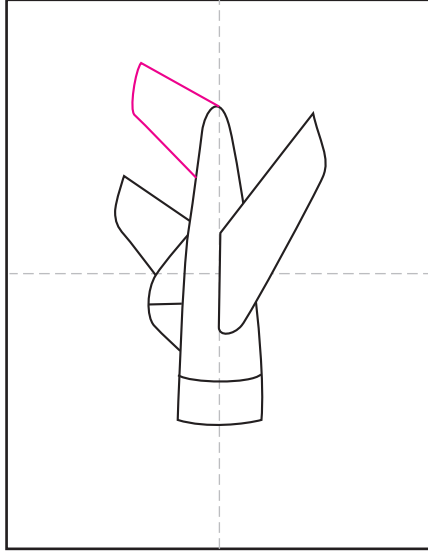
2. Add a line and cockpit.



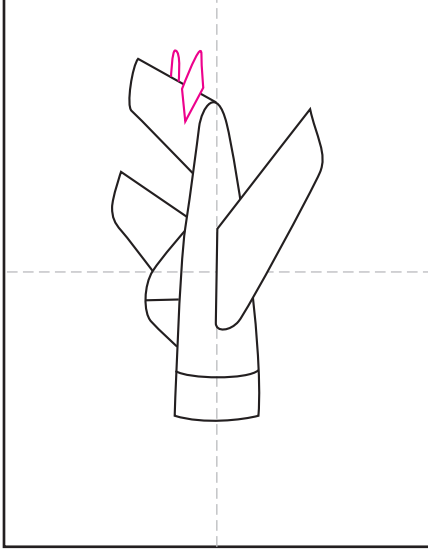
3. Draw one angled wing. Erase inside line.



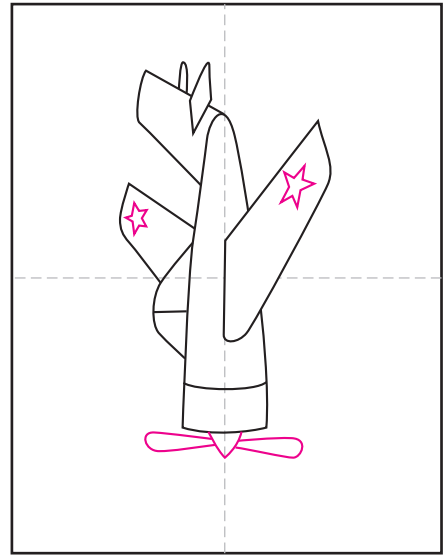
4. Draw the other angled wing.



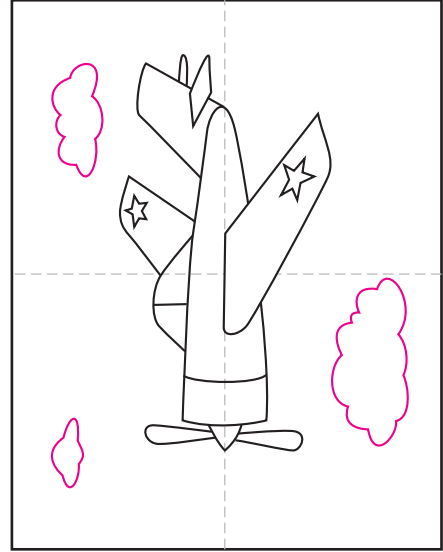
5. Add the tail.



6. Add details to the tail.



7. Draw a propeller. Add stars to the wings.



8. Draw large and small surrounding clouds.



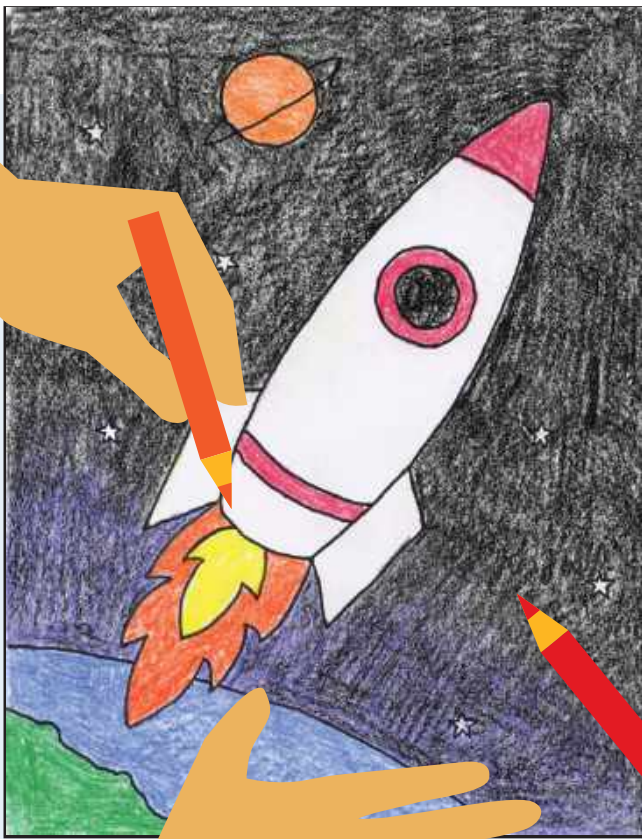
9. Trace with a marker and color with crayons.

Take the
mystery out
of drawing...



Art Projects for Kids

Kathy Barbro



Like this tutorial?
It's only the beginning.
Try these popular ebooks:

How to Draw

Drawing Animals

Draw World Landmarks

Draw Landscapes

www.artprojectebooks.com

