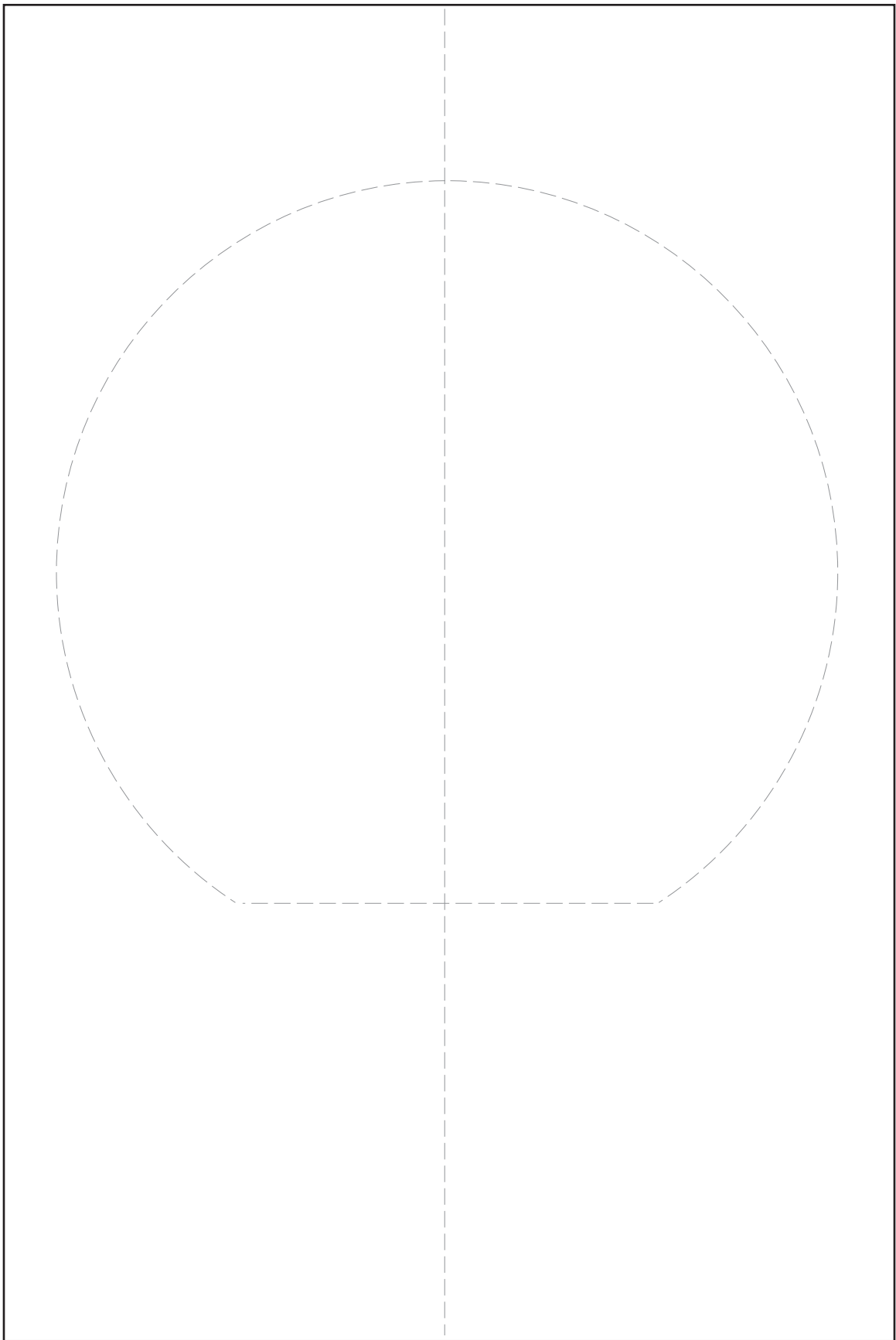
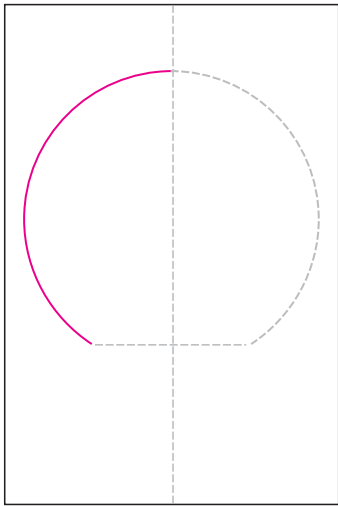


Draw a Snow Globe

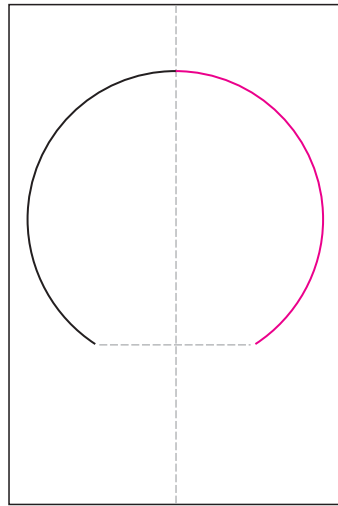




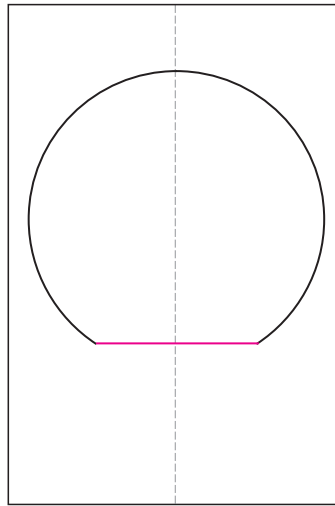
Draw a Snow Globe Tutorial



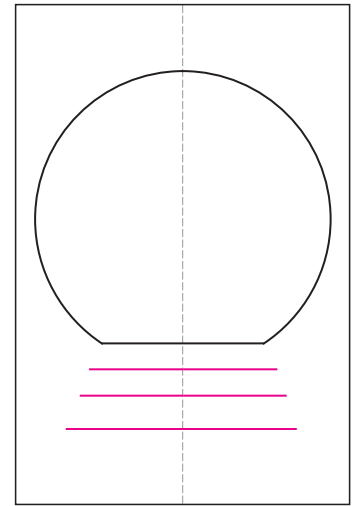
1. Trace one side of the globe.



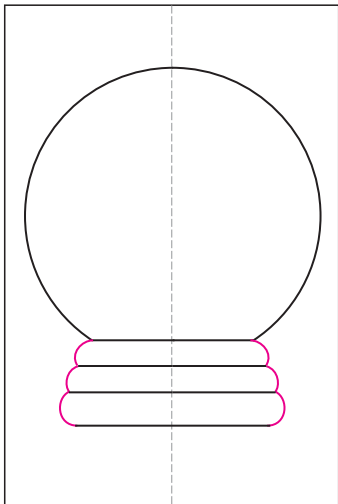
2. Trace the other side.



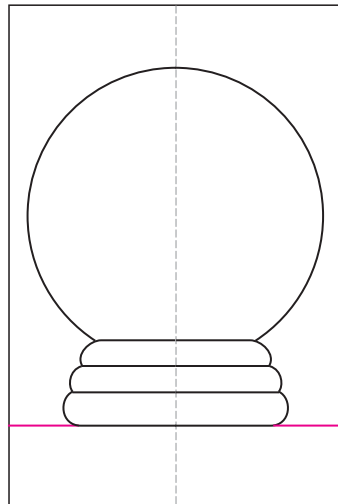
3. Connect at the bottom.



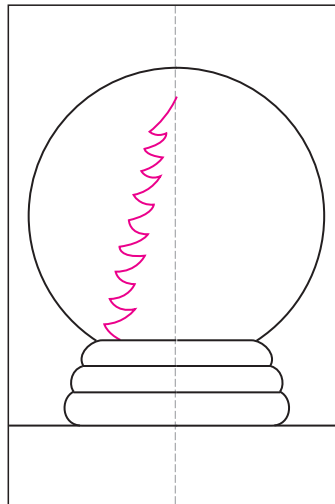
4. Draw 3 lines below.



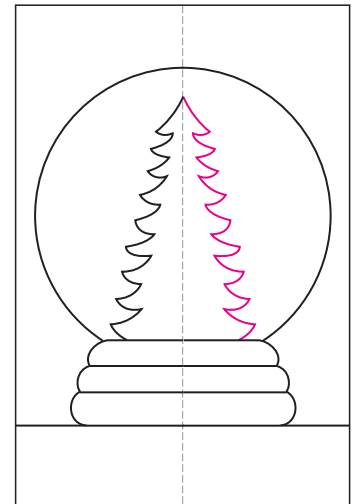
5. Connect the sides with curves.



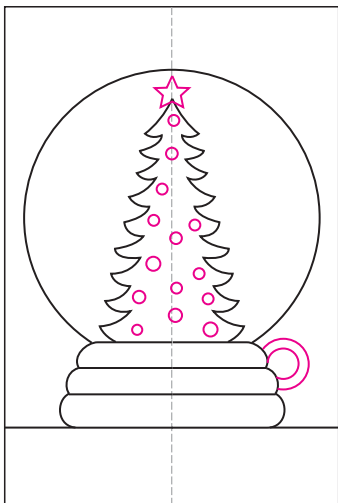
6. Draw a table line.



7. Draw the left side of the tree.



8. Draw the right side of the tree.



9. Add the tree decorations, and a handle on one side.



10. Trace the globe art with a black marker. Draw snow with a blue marker. Color the base and table.



11. Fill in the background, leaving the white snow.



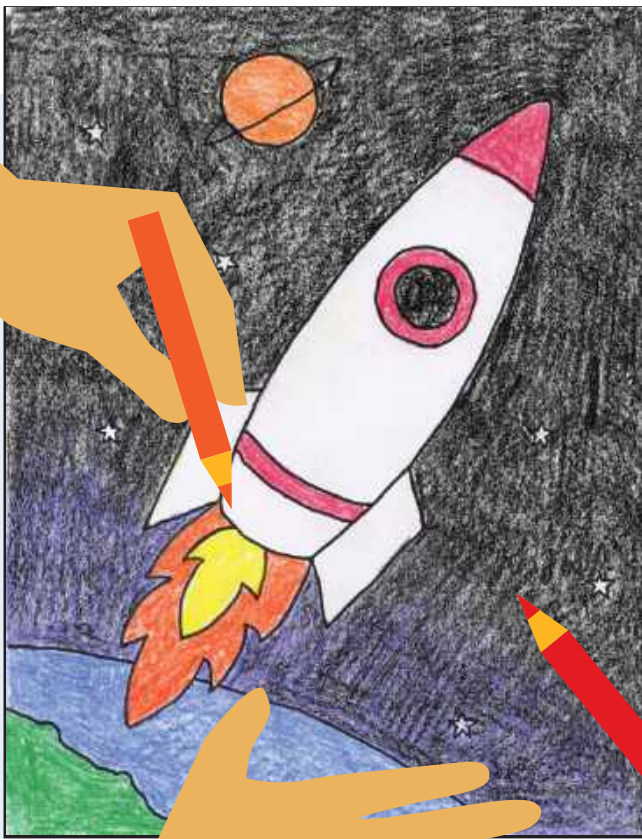
12. Color the background again with another layer of blue.

Take the
mystery out
of drawing...



Art Projects for Kids

Kathy Barbro



Like this tutorial?
It's only the beginning.
Try these popular ebooks:

How to Draw

Drawing Animals

Draw World Landmarks

Draw Landscapes

www.artprojectebooks.com

