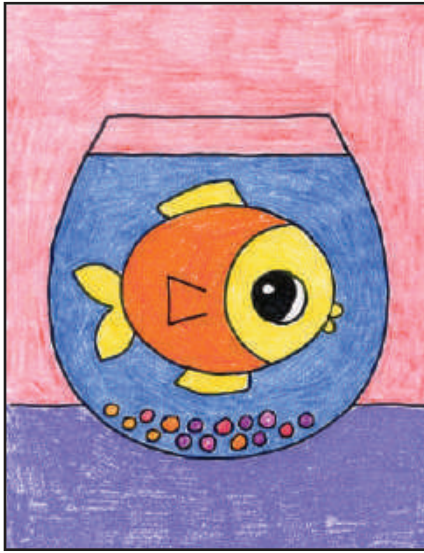
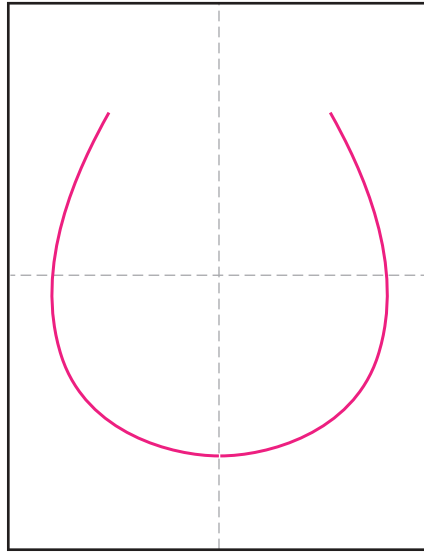


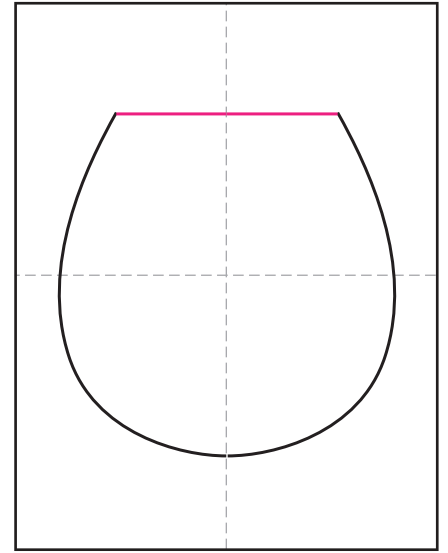
Draw a Fish Bowl



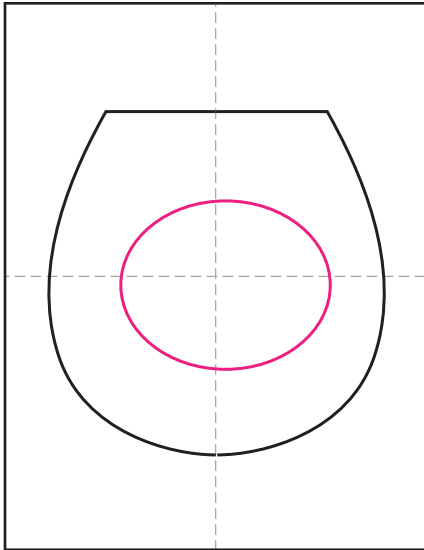
Supplies: Black marker, crayons



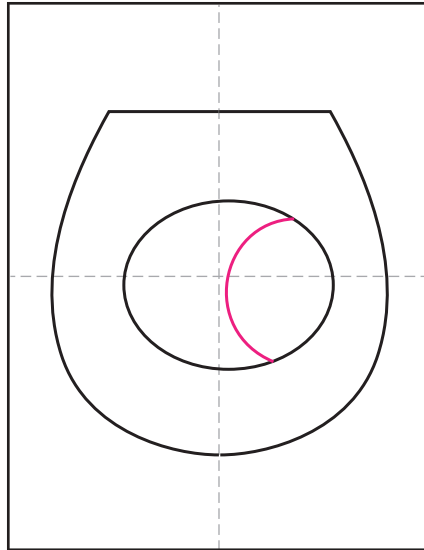
1. Make guide lines. Draw a U.



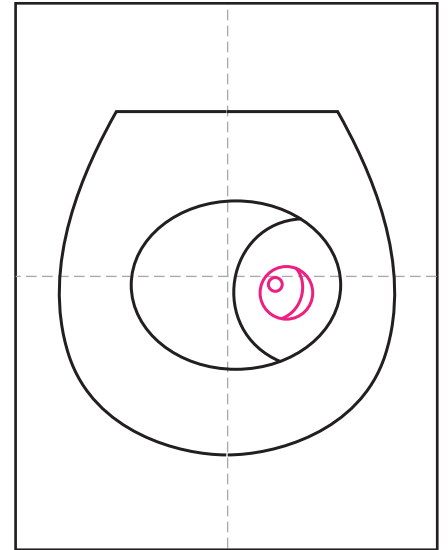
2. Close the top.



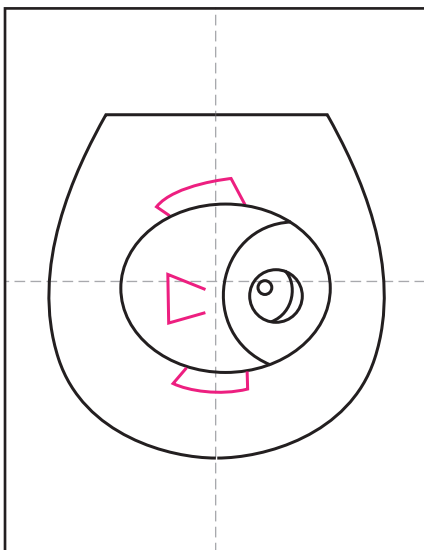
3. Draw an oval.



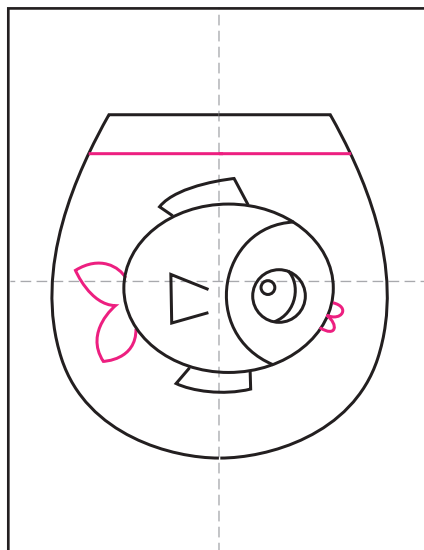
4. Draw the face line.



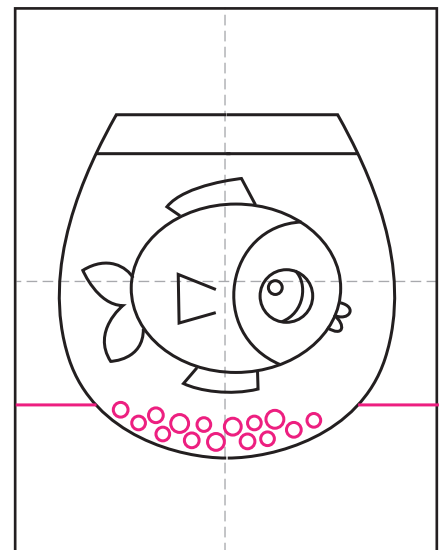
5. Add an eye.



6. Add fins.



7. Add a tail and lips.



8. Finish with balls and table.