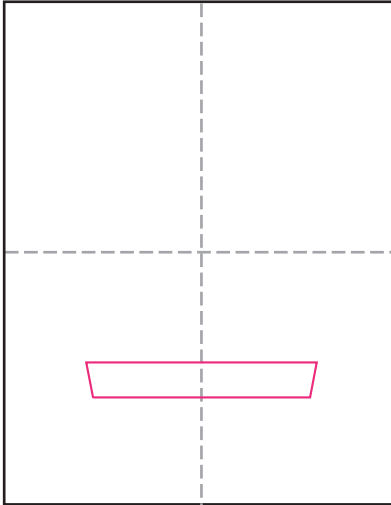
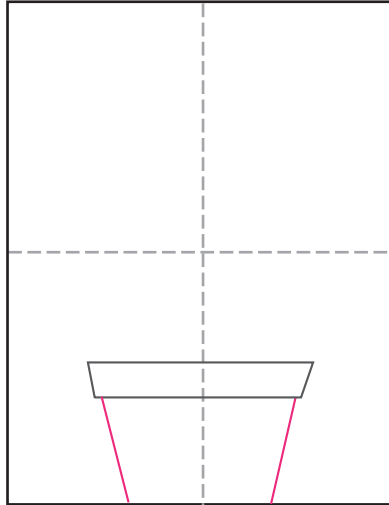


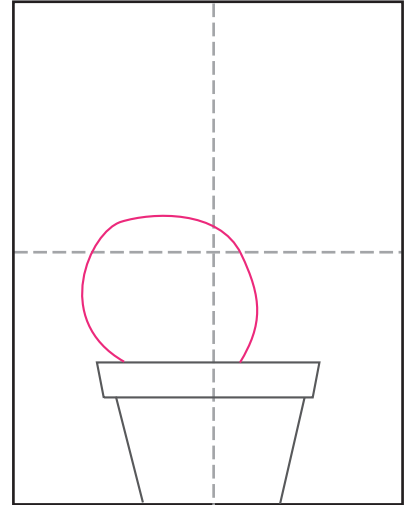
Draw a Cactus



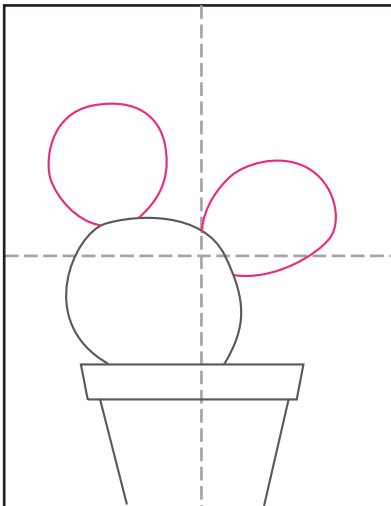
1. Draw the pot rim.



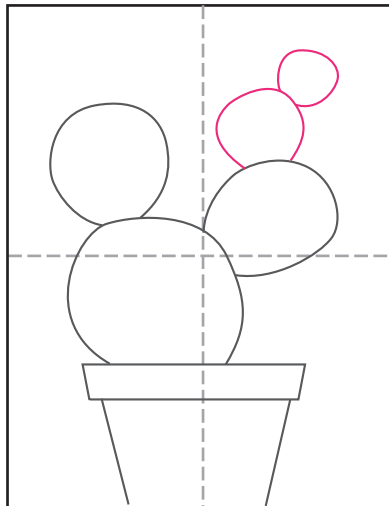
2. Add angled sides below.



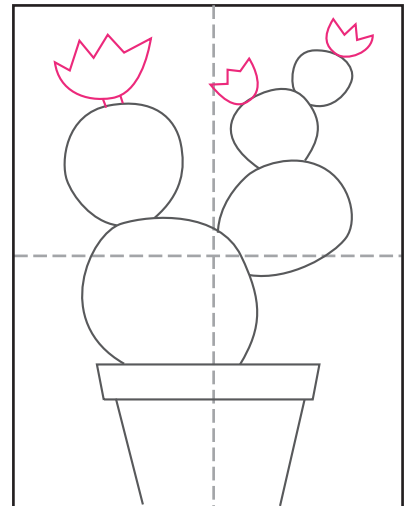
3. Draw a large wobbly circle.



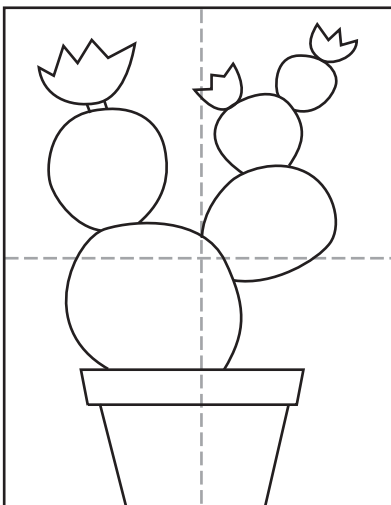
4. Attach two medium circles.



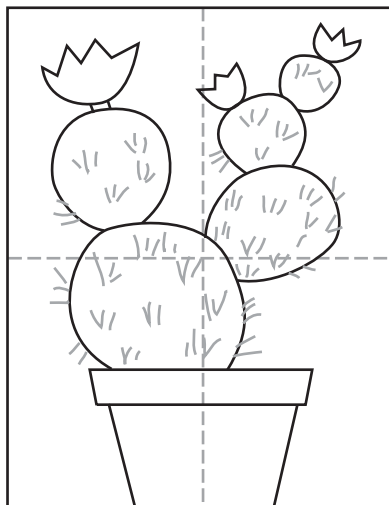
5. Attach two smaller circles.



6. Add flowers at the top.



7. Trace with perm. black marker.



8. Draw lots of cactus needles with a white crayon (shown here in gray). Press hard.



9. Paint over all with watercolor. Add extra paint for a shadow.