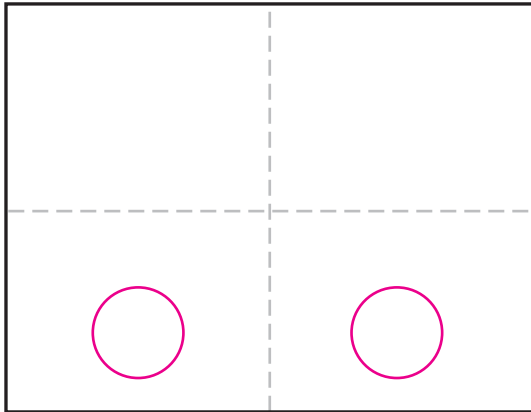
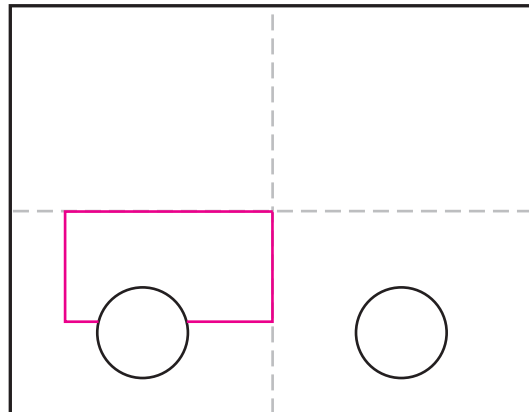


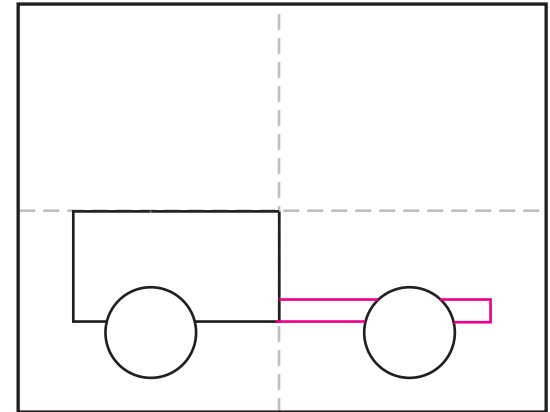
Draw a Dump Truck



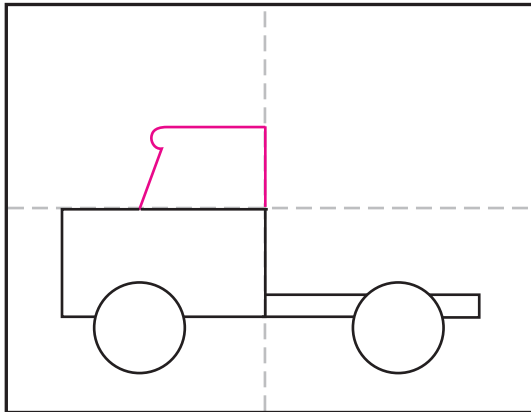
1. Make guide lines. Draw two circle tires.



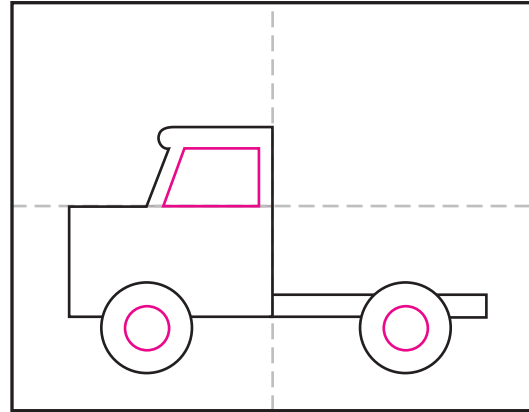
2. Draw rectangle around front wheel.



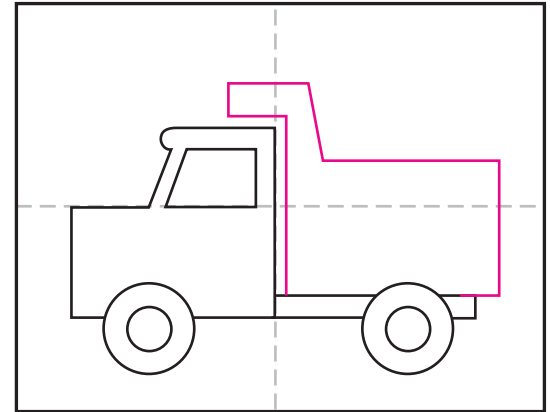
3. Add back truck base.



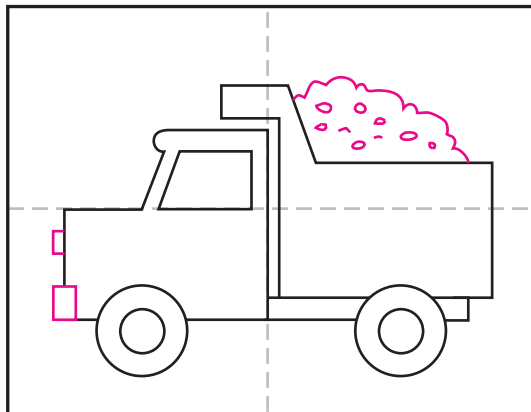
4. Draw the top cab of the truck.



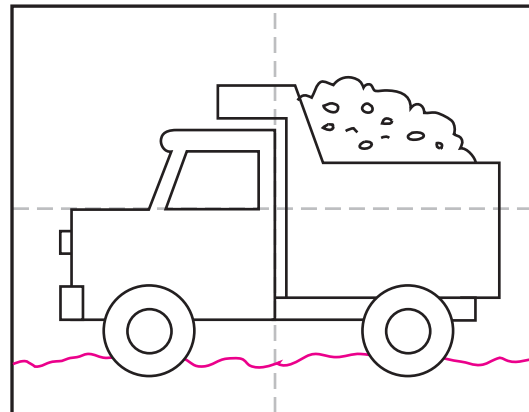
5. Add the window and hubcap circles.



6. Draw the back of the truck.



7. Add lights, bumper and dirt.



8. Finish with a bumpy road line.



9. Trace and color with crayons.