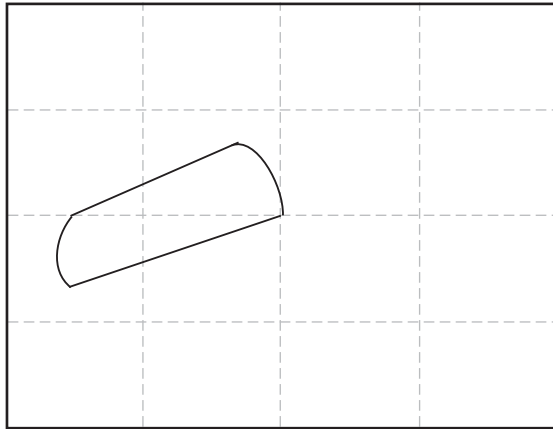
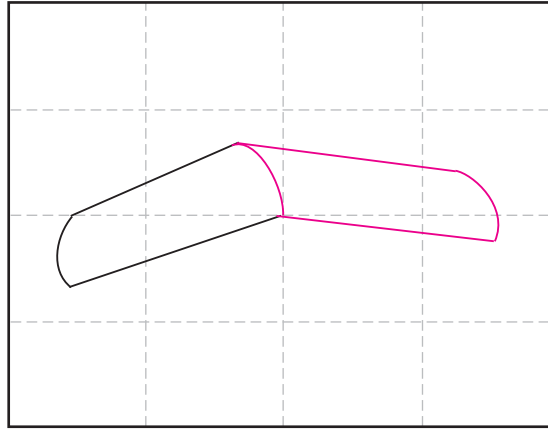


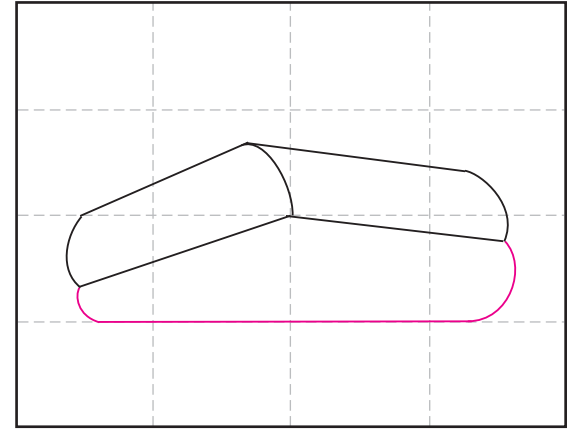
Draw a Tank



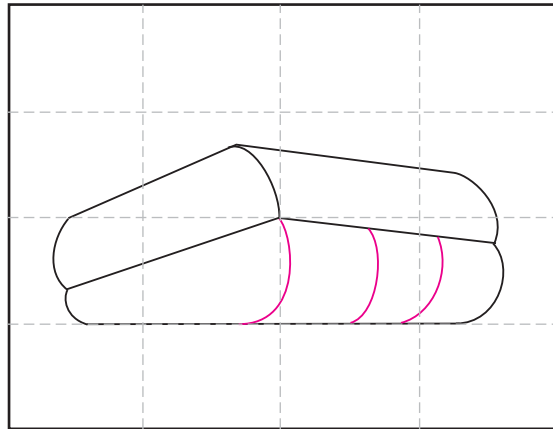
1. Start the angled side skirt.



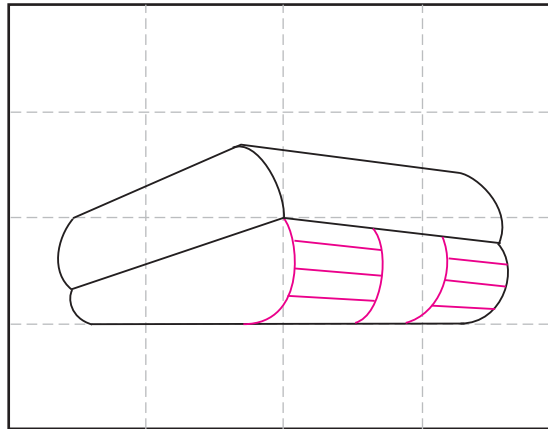
2. Draw the front skirt.



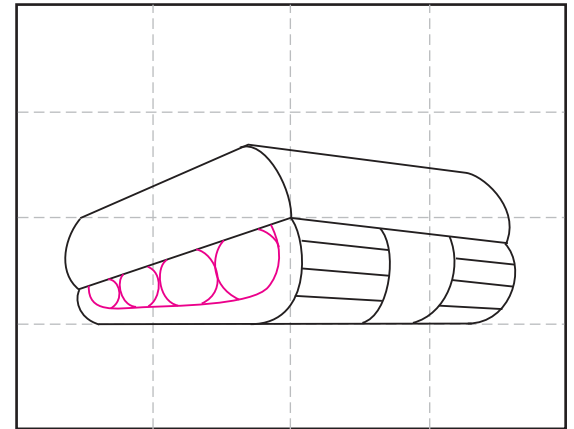
3. Draw the outline of the track.



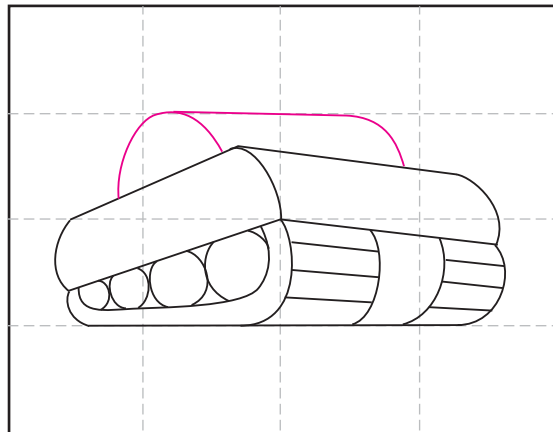
4. Add curved lines to define the tracks.



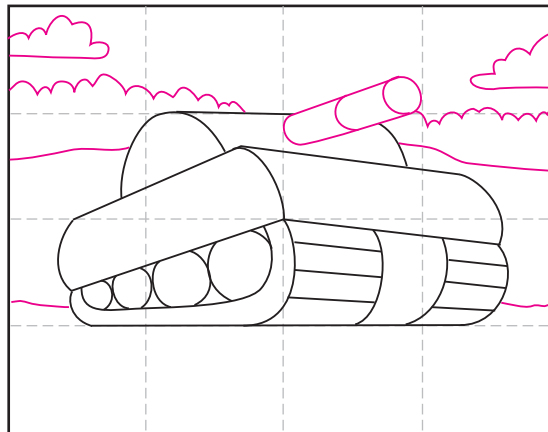
5. Add the lines to the tracks.



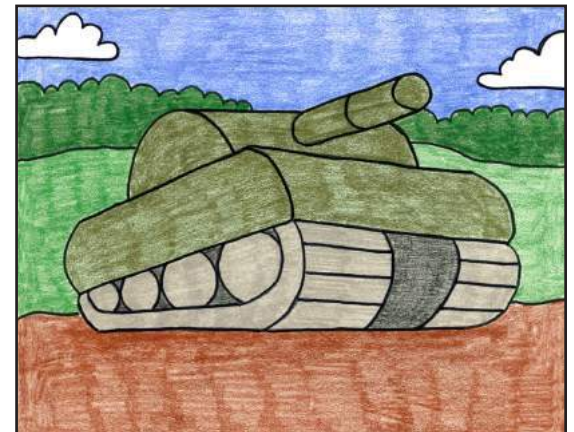
6. Draw the road wheels.



7. Add the turret above.



8. Draw a barrel attached to the turret.



9. Trace with a marker and color.

