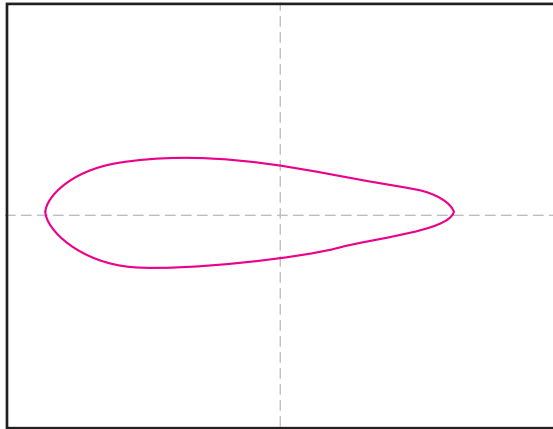
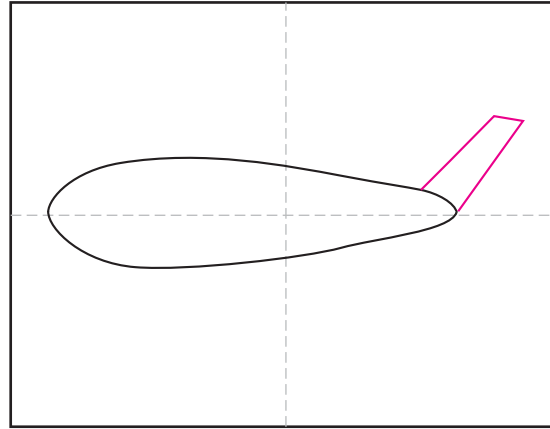


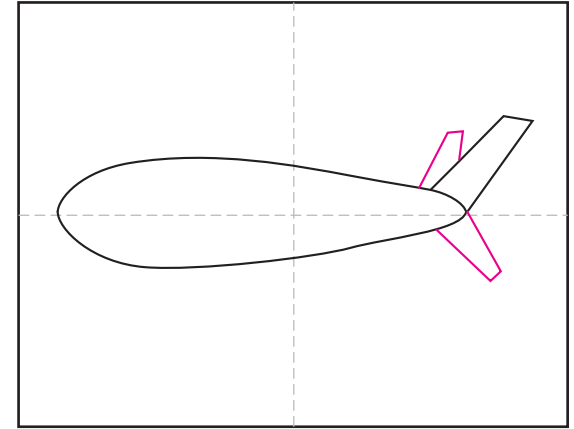
# Draw an Airplane



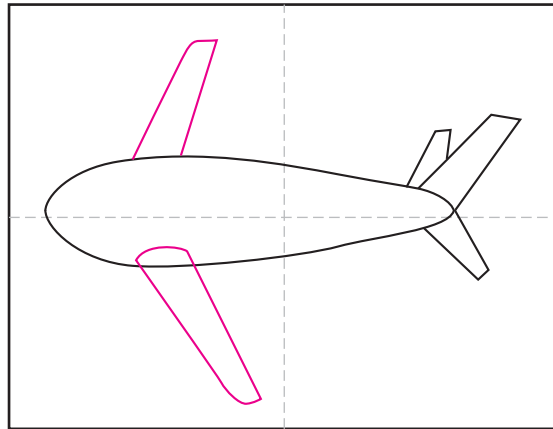
1. Draw the main fuselage of the plane.



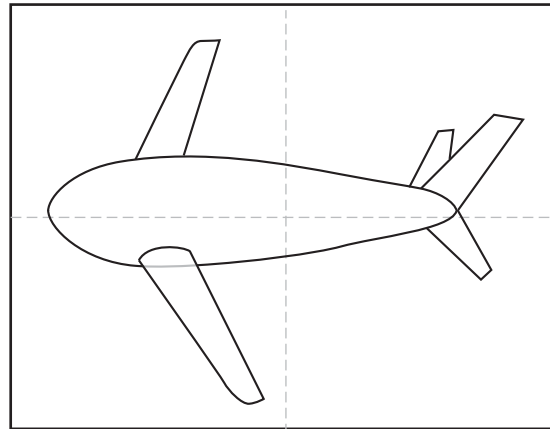
2. Draw the vertical section of the tail.



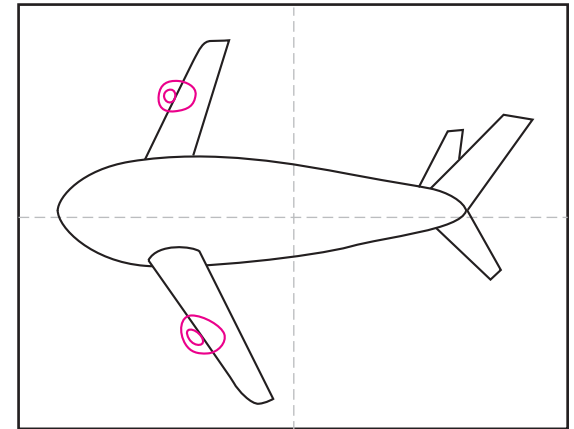
3. Draw the horizontal section of the tail.



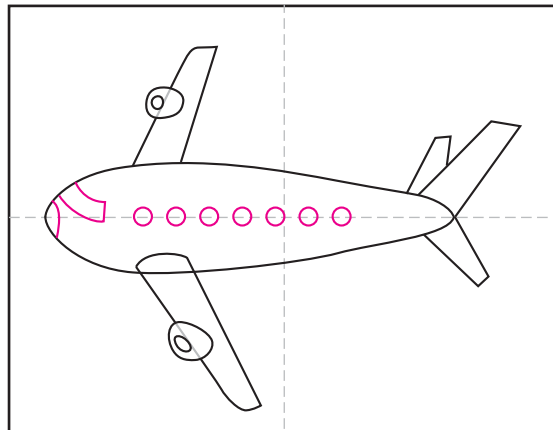
4. Draw the two wings.



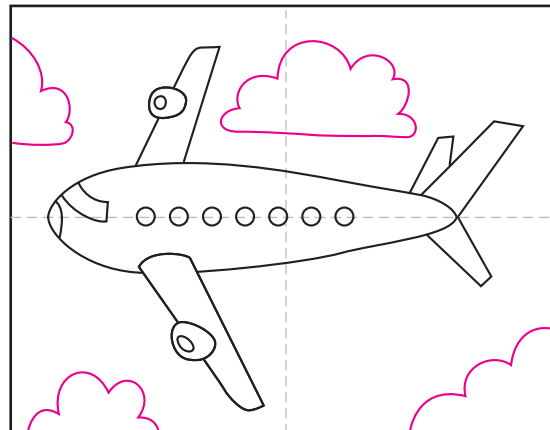
5. Erase the gray line inside the wing.



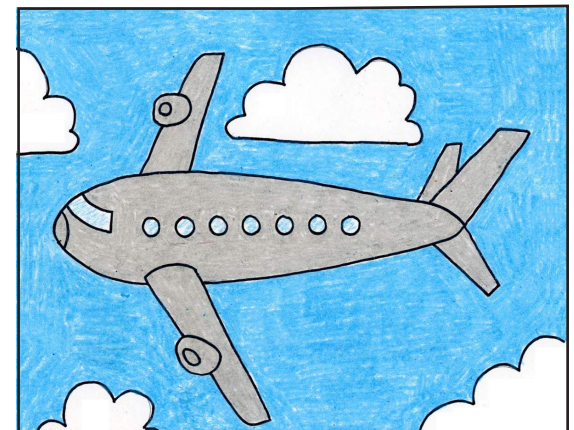
6. Draw the two engines.



7. Erase gray lines, add windows.



8. Fill the sky with clouds.



9. Trace with a marker and color.



