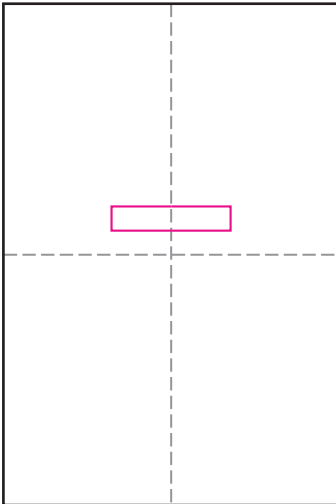
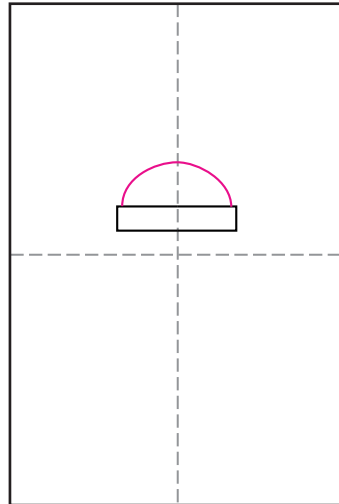


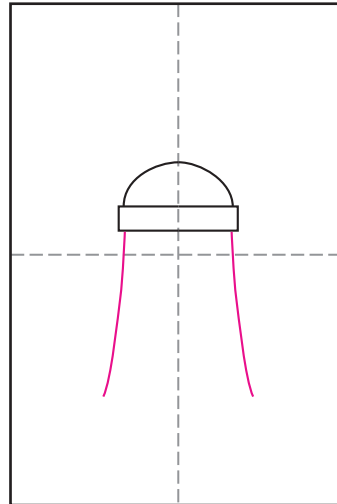
# Draw a Windmill



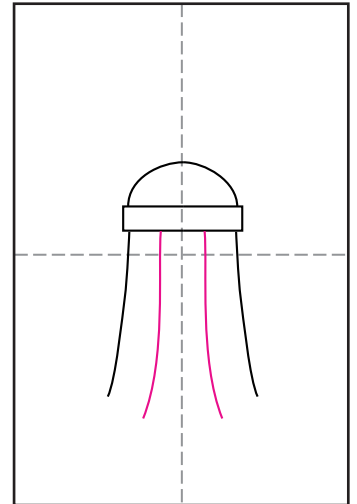
1. Fold paper to make guide lines. Draw a rectangle.



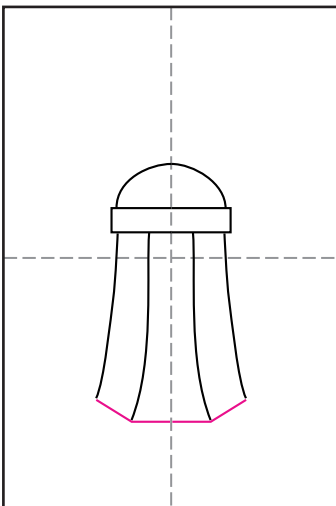
2. Add a dome shape on top.



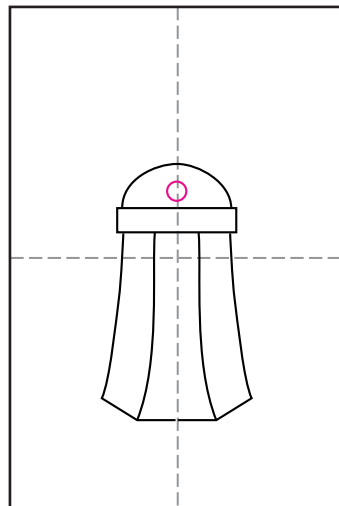
3. Start walls with slightly curved lines.



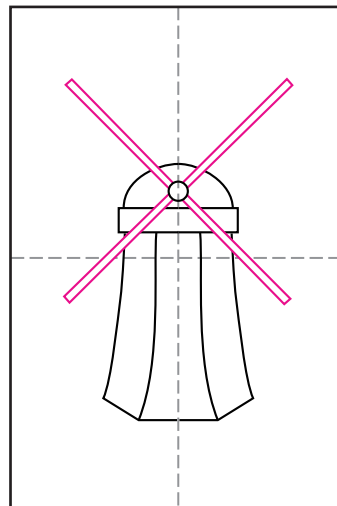
4. Add two longer curved lines.



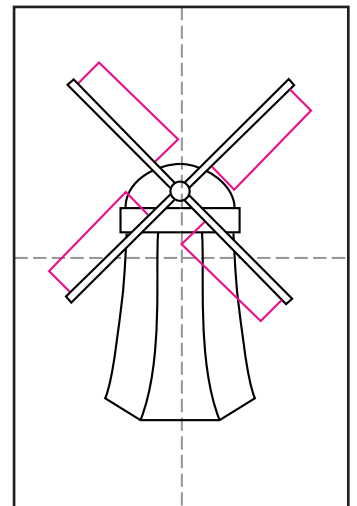
5. Connect the bottom with straight lines.



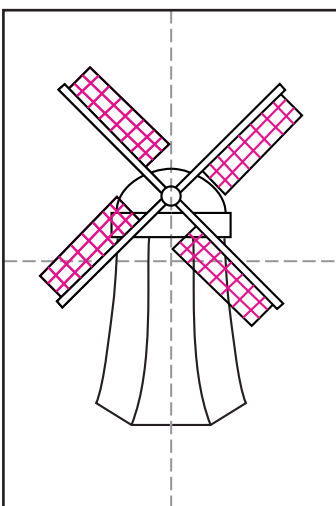
6. Draw circle in top dome.



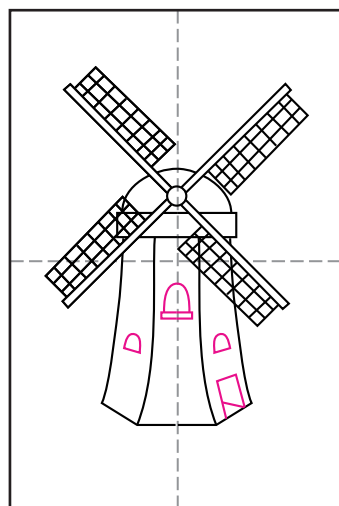
7. Draw a large skinny X.



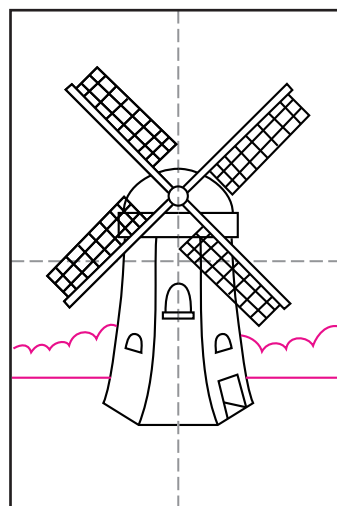
8. Add rectangle panels to each, kind of like flags.



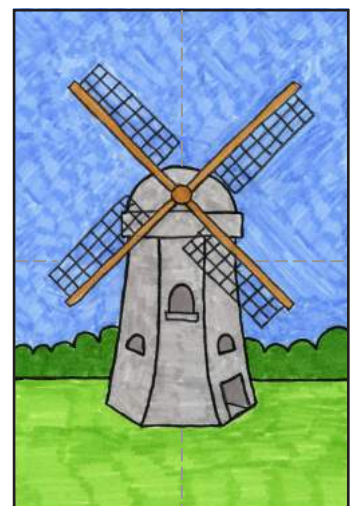
9. Add lines inside each panel.



10. Draw windows and doors.



11. Add horizon line and some landscaping.



12. Trace with a black marker and color. Add second layer of marker to make shadows. Stabilo Power Markers® were used in this sample.

