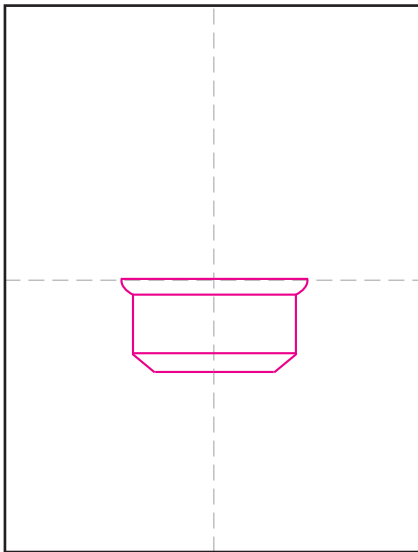
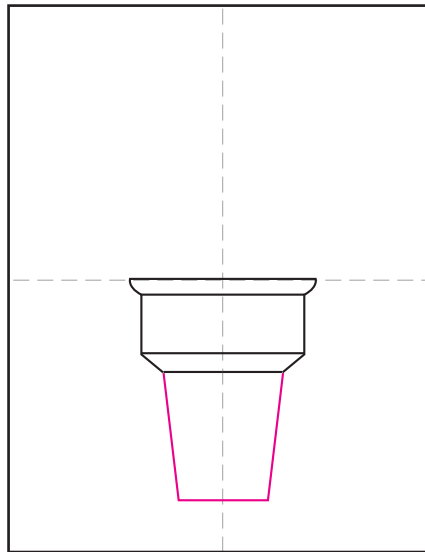


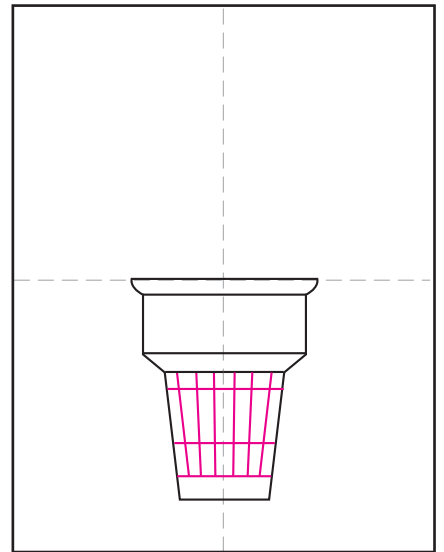
Draw an Ice Cream Cone



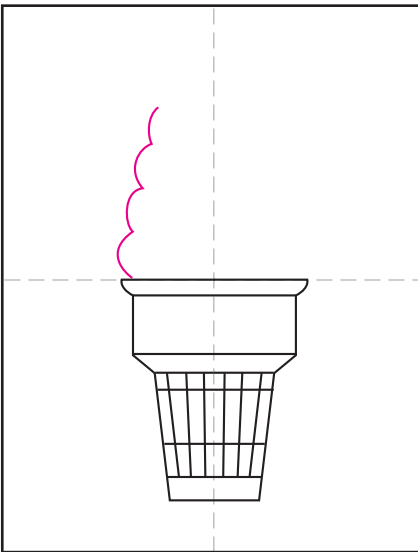
1. Draw the top of the cone.



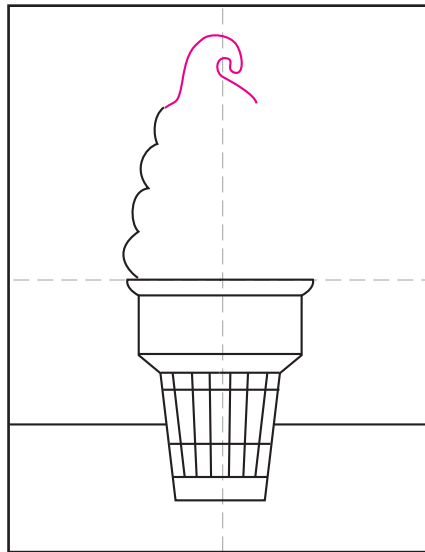
2. Add the bottom of the cone.



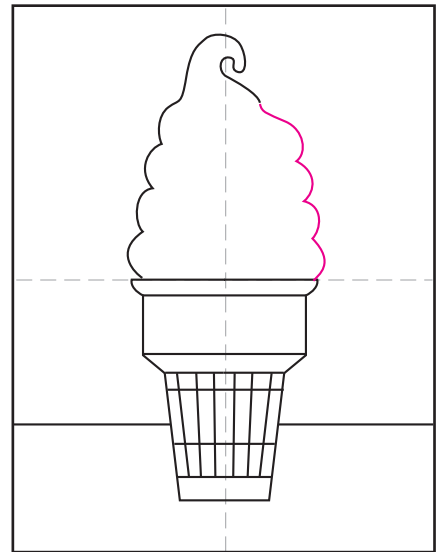
3. Draw the texture inside.



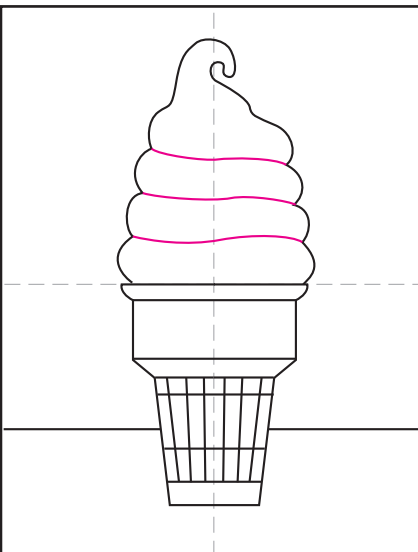
4. Draw the left side of the ice cream, with four bumps.



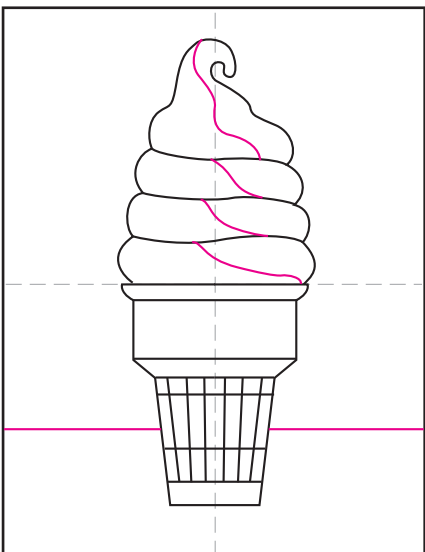
5. Add the top swirl tip.



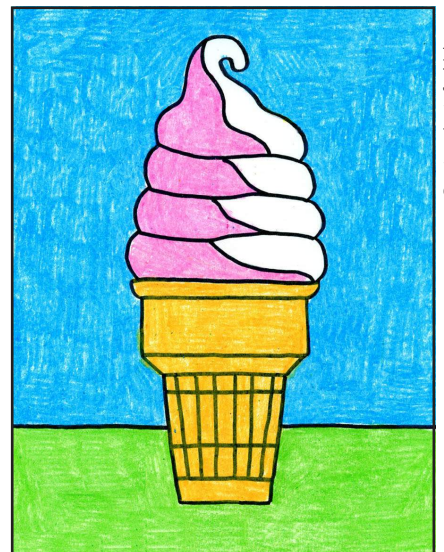
6. Draw the right side of the ice cream, also with four bumps.



7. Connect sides with three horizontal lines.



8. Add the inside divider curves.



9. Trace with a marker and color.

