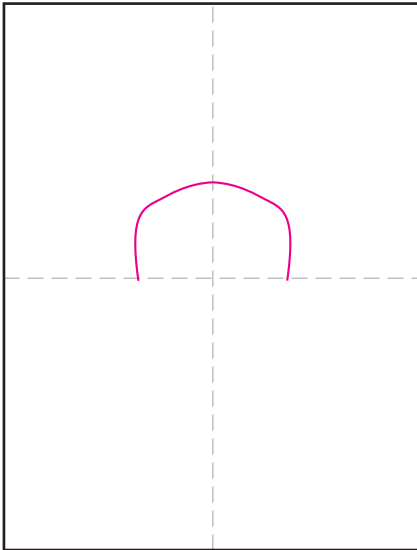
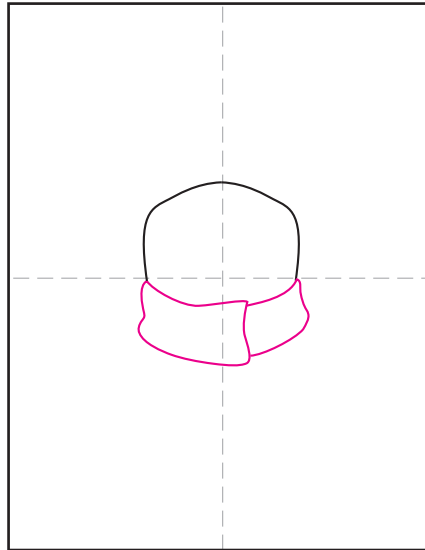


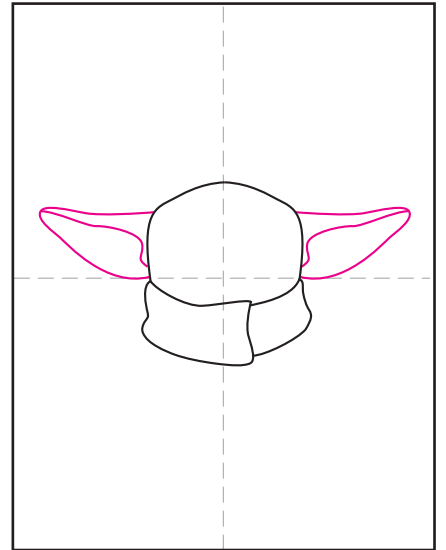
Draw Baby Yoda in Space



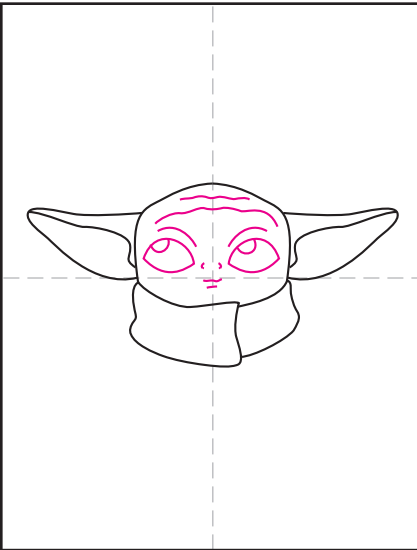
1. Start the top of the head.



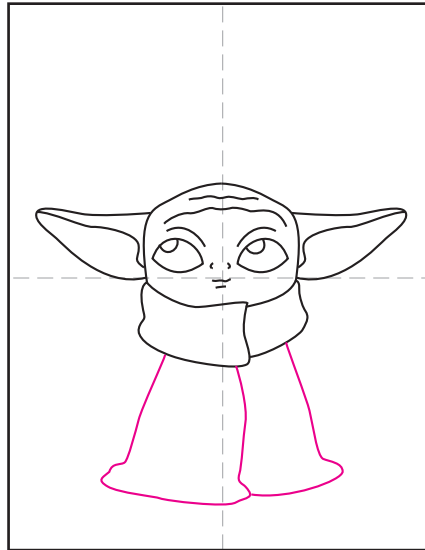
2. Draw the wrapped collar below.



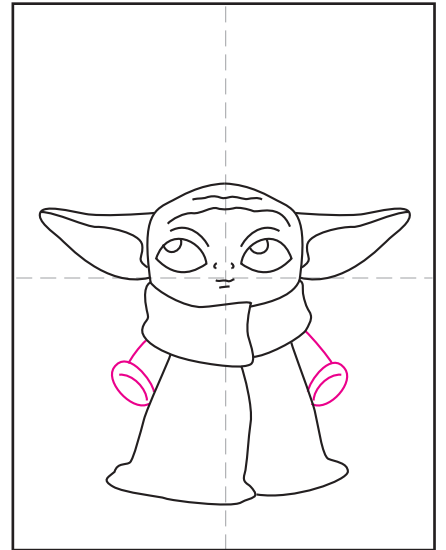
3. Add two symmetrical ears.



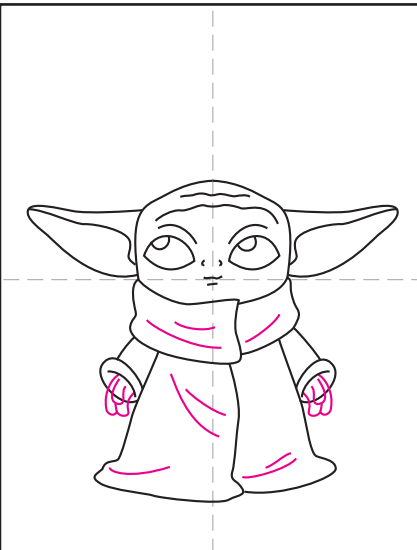
4. Draw the face details shown.



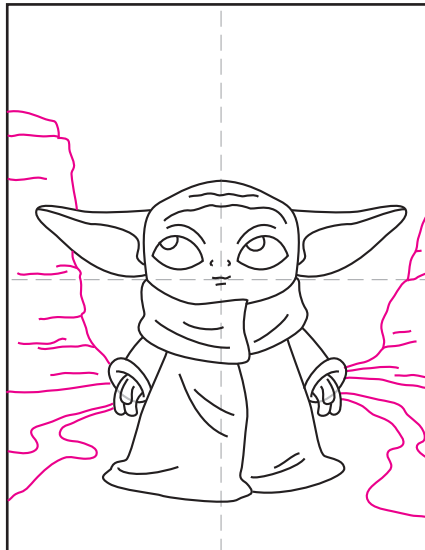
5. Start the body of the robe.



6. Add the sleeves on the side.



7. Draw fingers and robe wrinkles.



8. Add a space background.



9. Trace with a marker and color. Leave white spots for stars.

