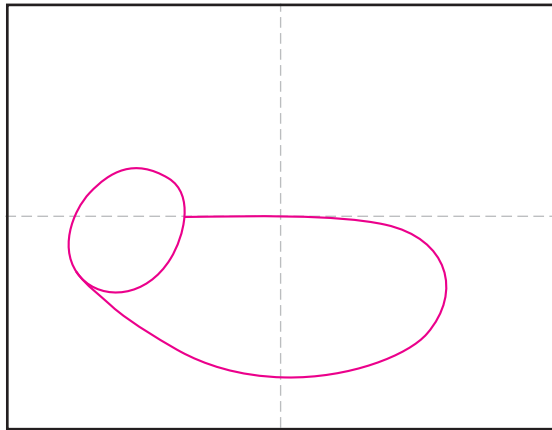


# Sloth

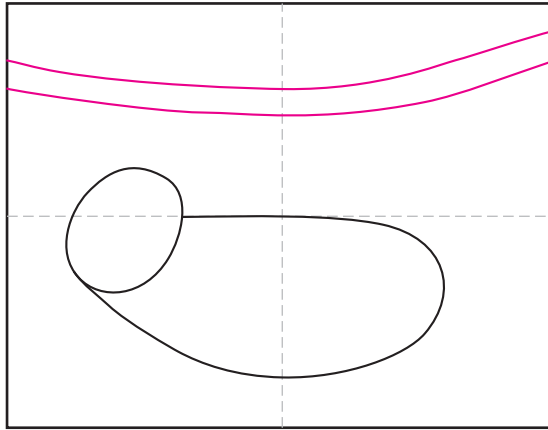




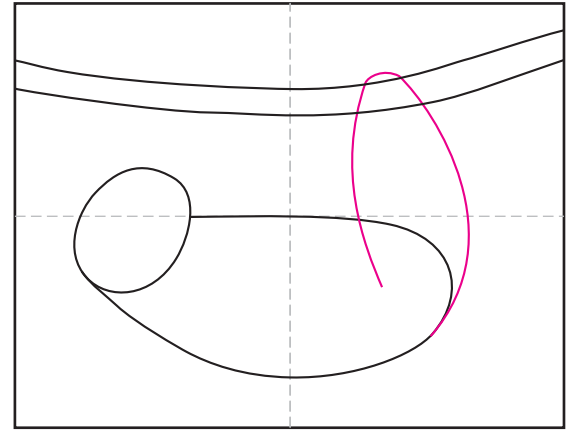
# Draw a Sloth



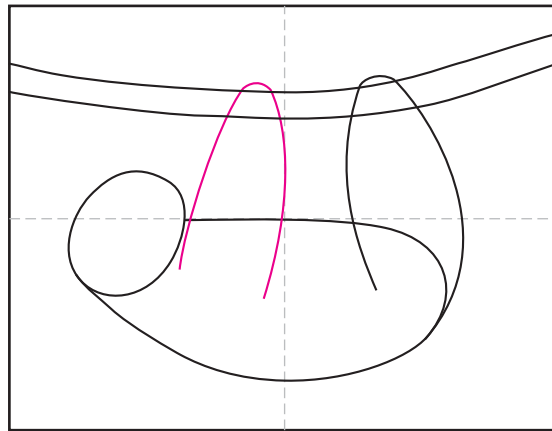
1. Draw an oval head and connected body.



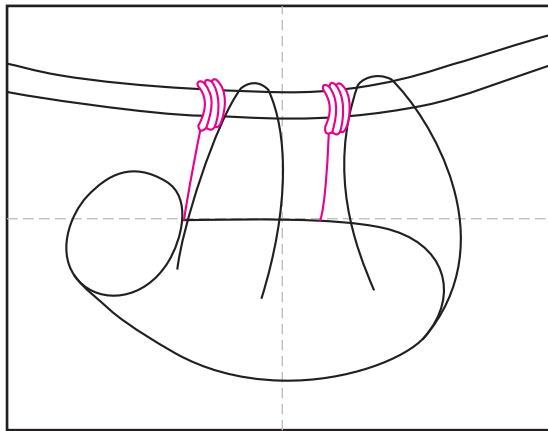
2. Add a branch above.



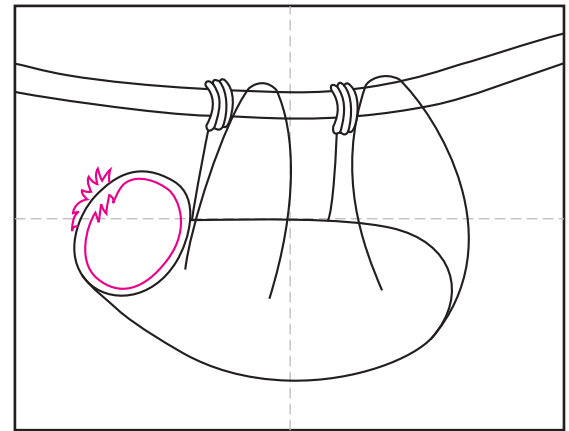
3. Connect body to branch with back leg.



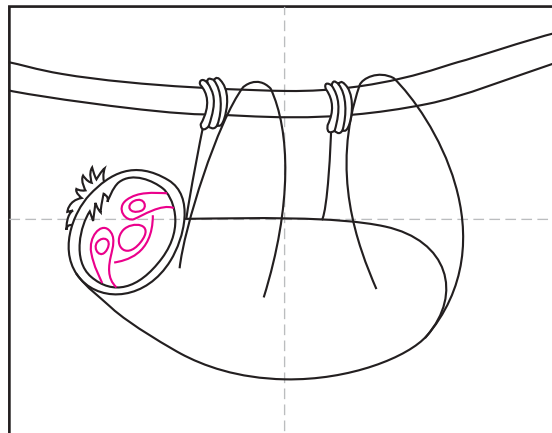
4. Add a front arm.



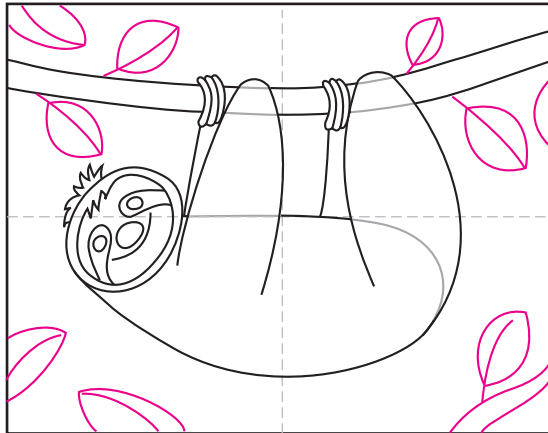
5. Draw the far arm and leg with claws.



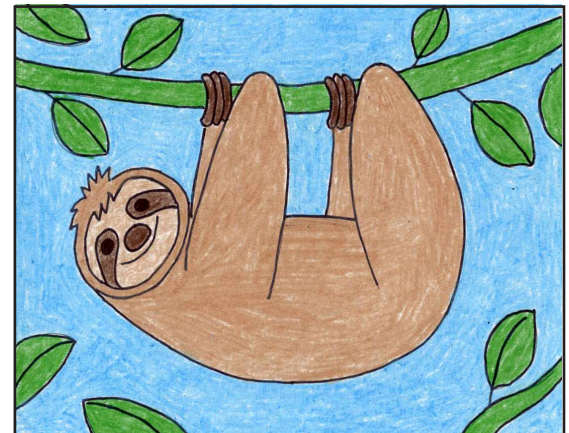
6. Start the face with an outline.



7. Draw the inside face.



8. Add leaves to the tree. Erase gray lines.



9. Trace with a marker and color with crayons.