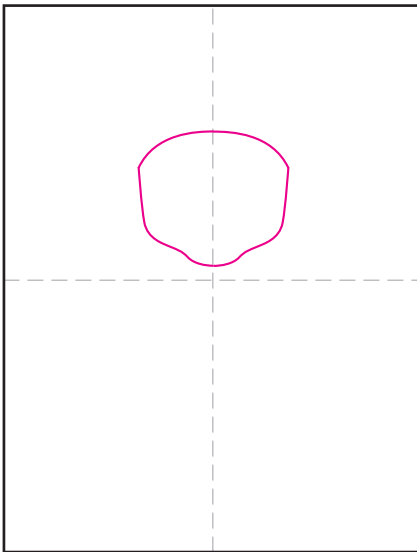
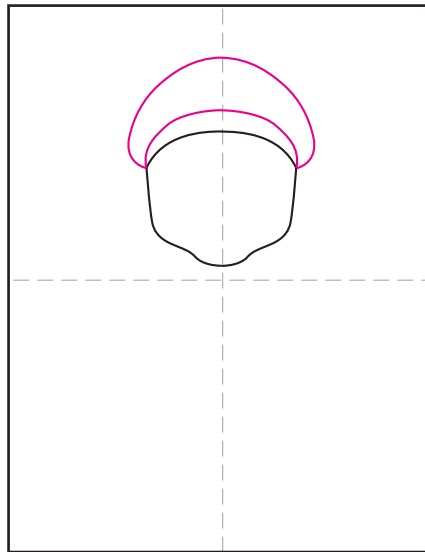


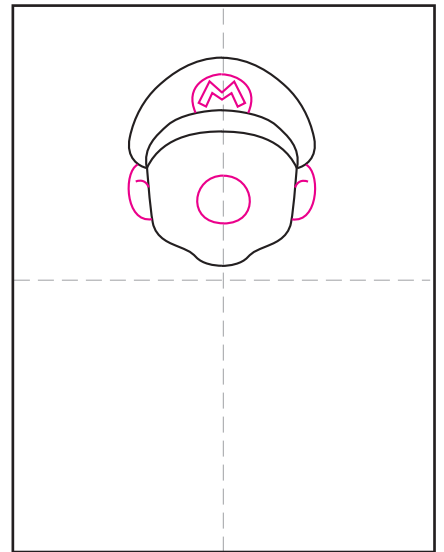
How to Draw Mario



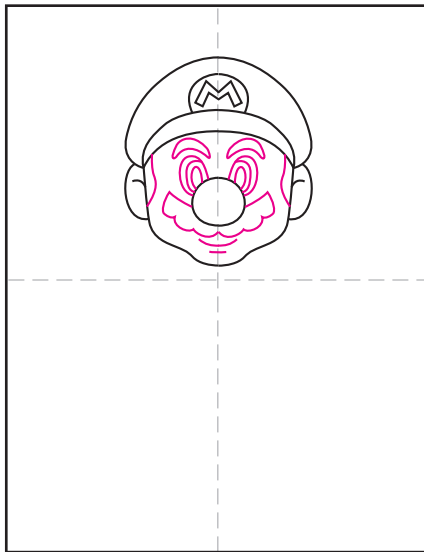
1. Draw the head as shown.



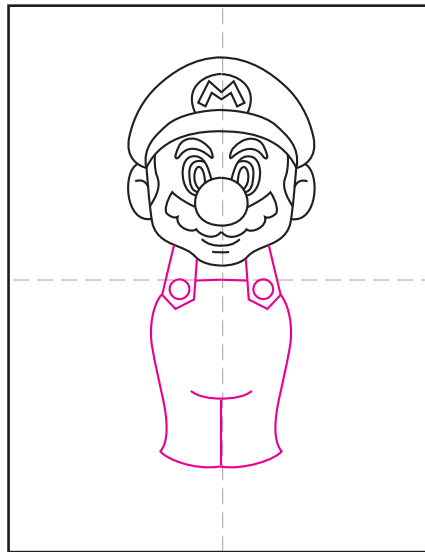
2. Add the hat on top.



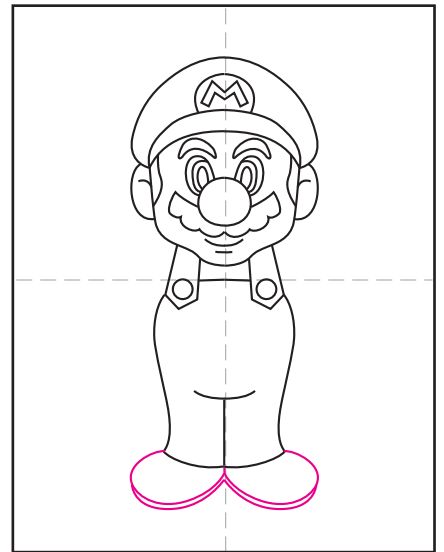
3. Draw the patch, nose and ears.



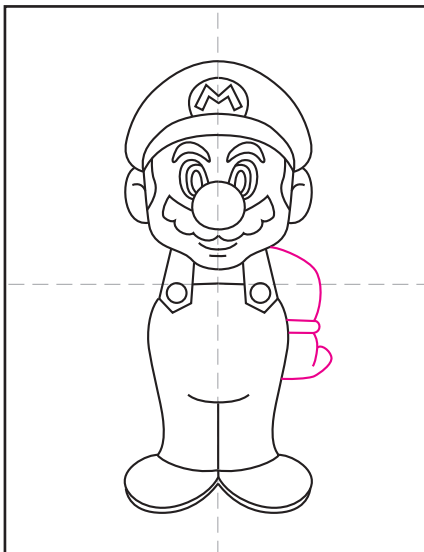
4. Fill in the face as shown.



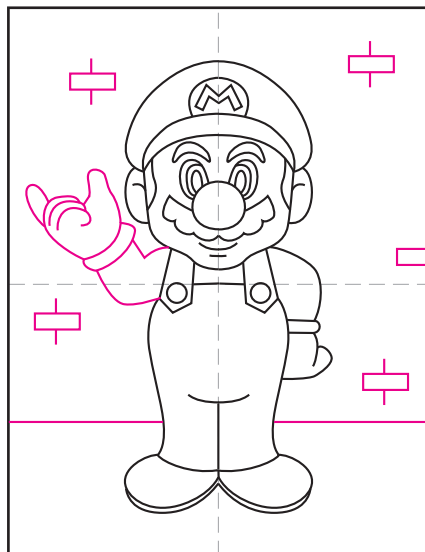
5. Draw the overalls below.



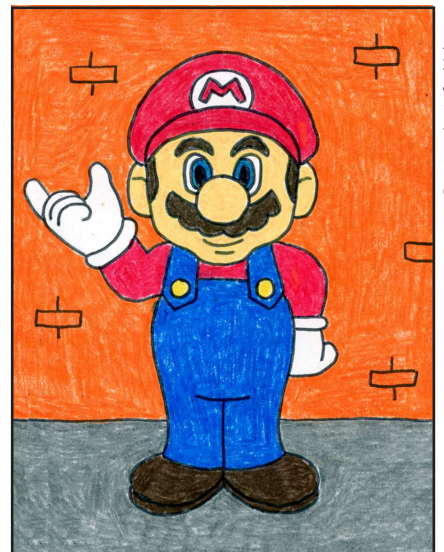
6. Add two large boots.



7. Draw one bent arm.



8. Add other arm and background.



9. Trace with a marker and color.

