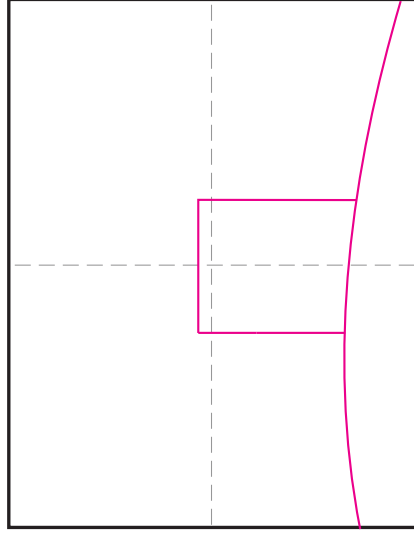
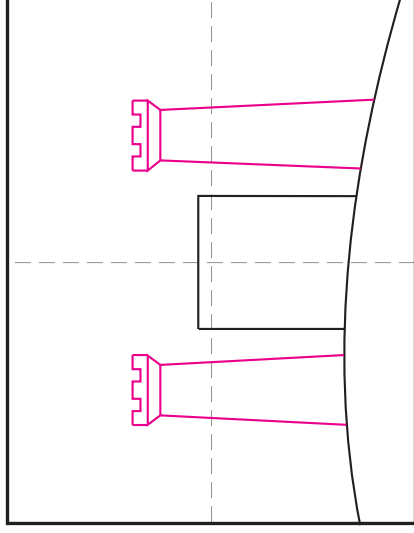


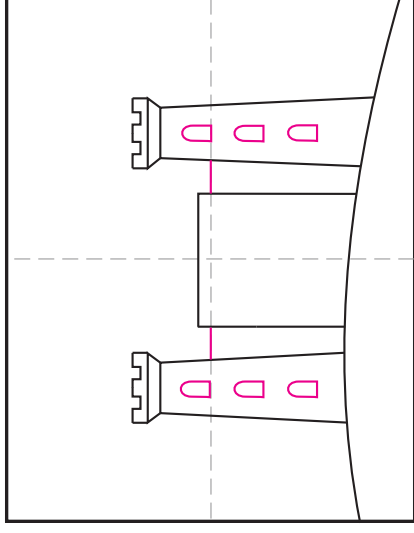
# Draw a Castle



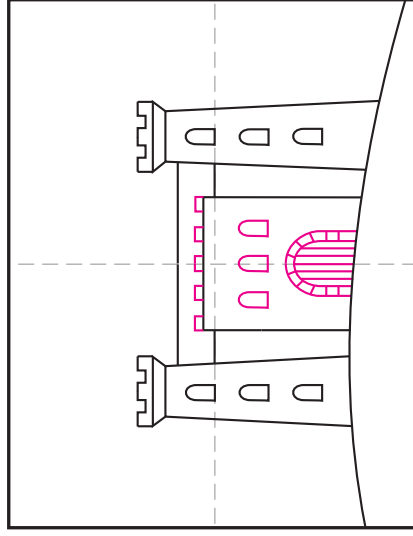
1. Draw a hill and entry way.



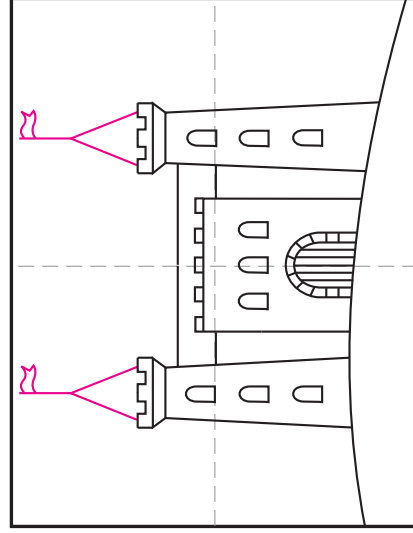
2. Add a towers on each side.



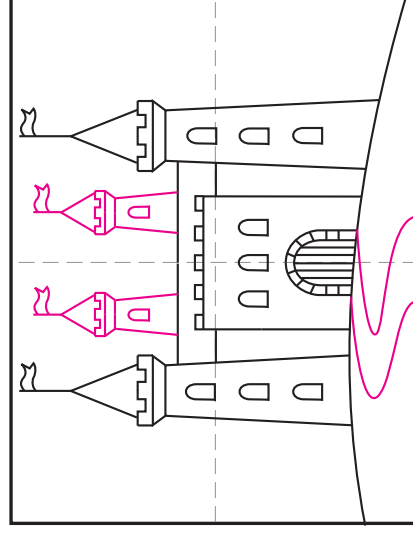
3. Draw windows and connect the buildings.



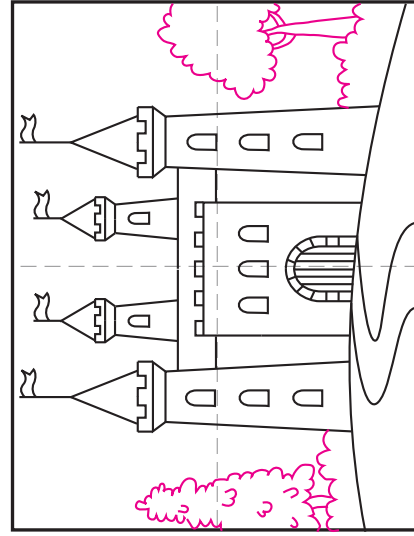
4. Add details to the entry way.



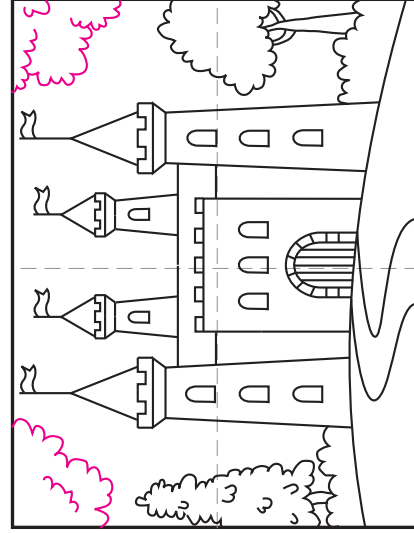
5. Add tops to the towers.



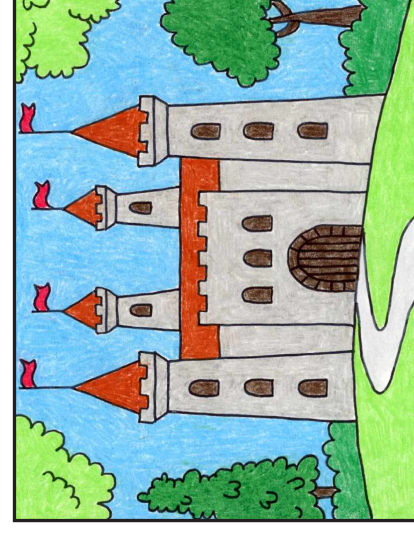
6. Draw two smaller towers. Add a land.



7. Add bushes and trees around the castle.



8. Finish with trees in the top corners.



9. Trace with a marker and color.

# Castle

