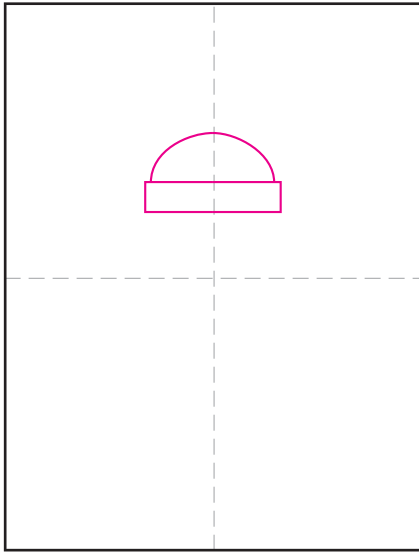
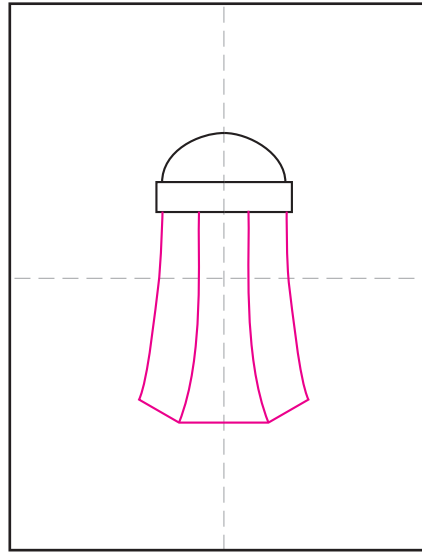


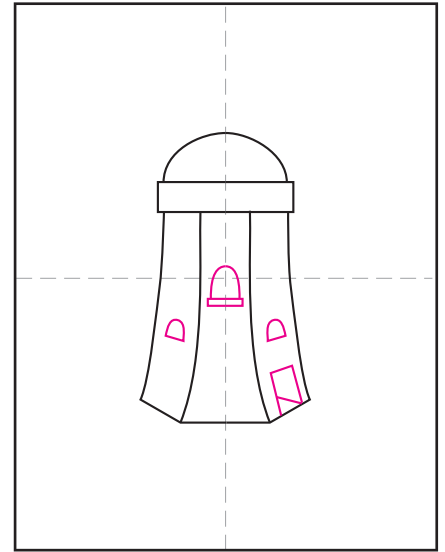
Draw a Windmill



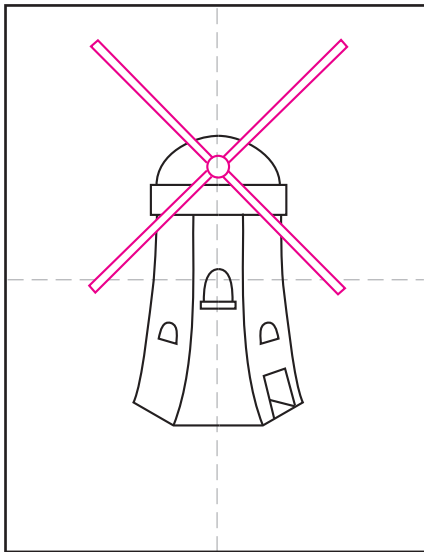
1. Draw the top dome.



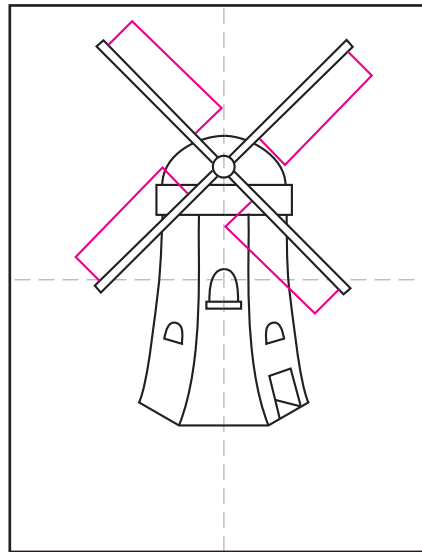
2. Add the curved sides below.



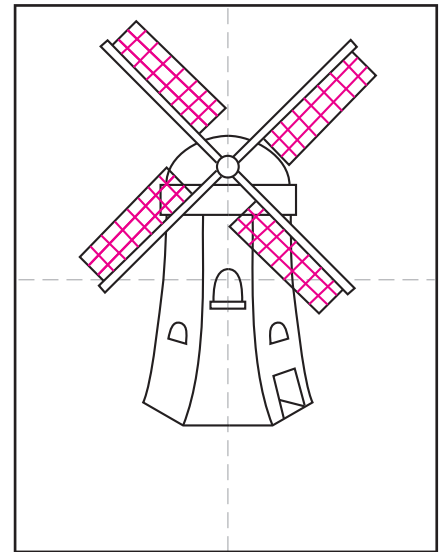
3. Fill sides with windows, door.



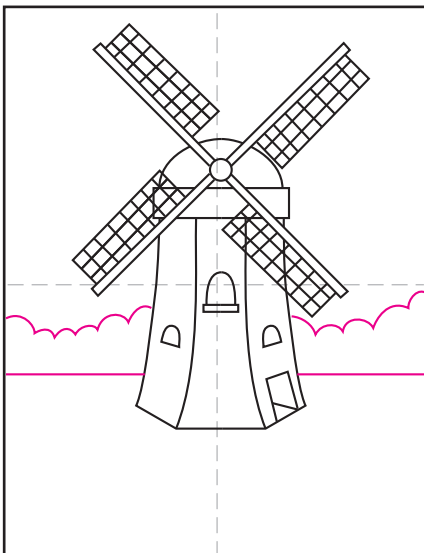
4. Draw center circle and large X.



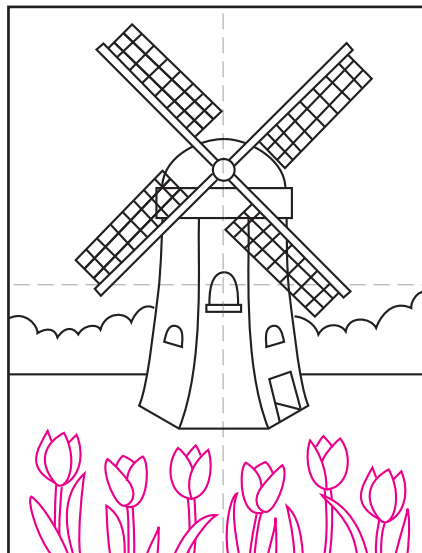
5. Add panel attached to each.



6. Fill the panels with grid lines.



7. Draw background landscaping.



8. Fill foreground with flowers.



9. Trace with a marker and color.

Windmill

