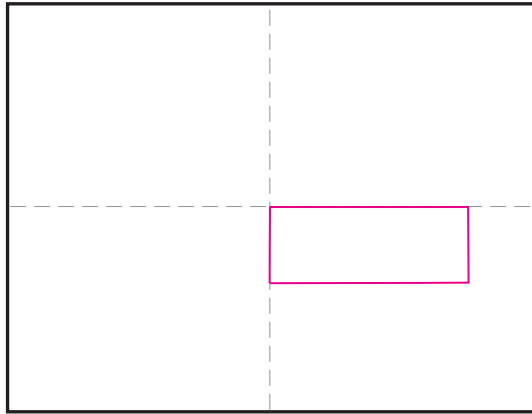
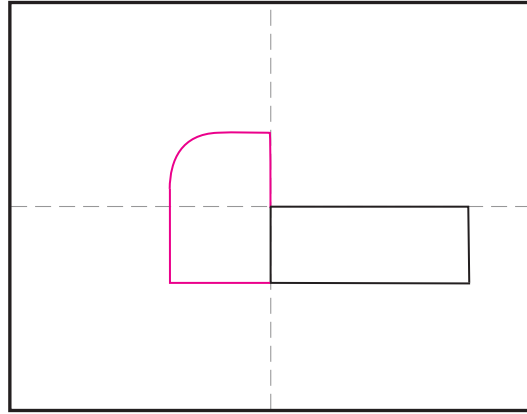


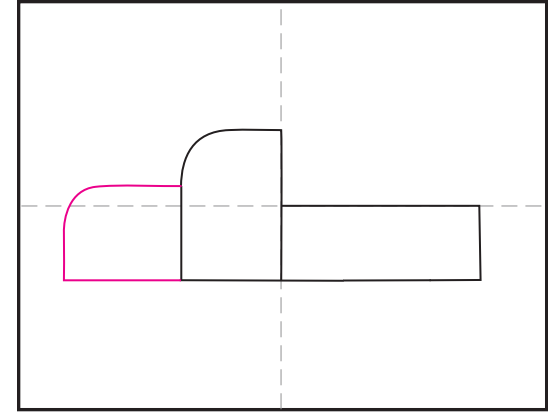
How to Draw a Pickup Truck



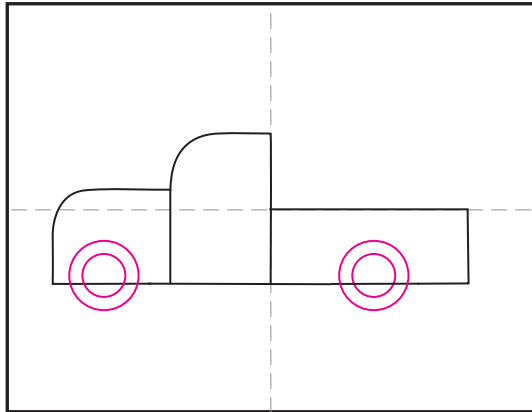
1. Draw a rectangle.



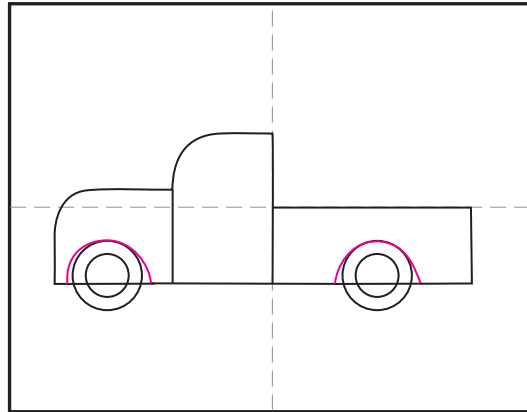
2. Add the cab shape.



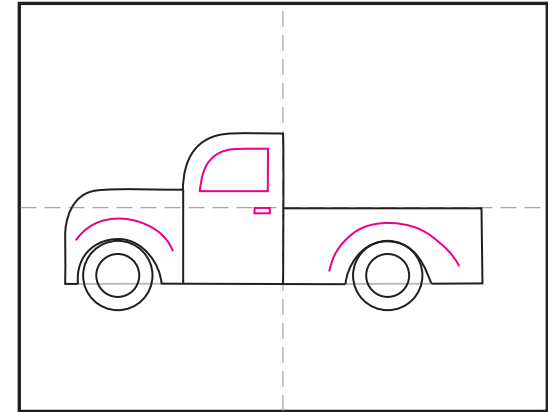
3. Add the front end.



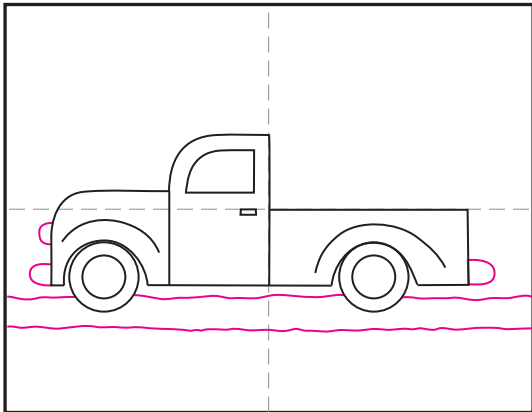
4. Draw wheels with rims inside.



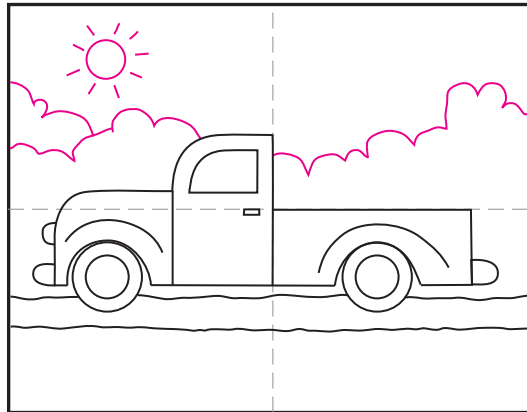
5. Draw wheel openings.



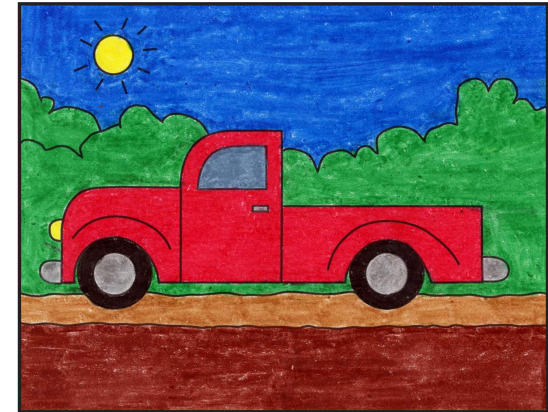
6. Erase lines, add details and window.



7. Draw lights, bumpers and road.



8. Finish with a background and sky.



9. Trace with a marker and color.

Pickup Truck

