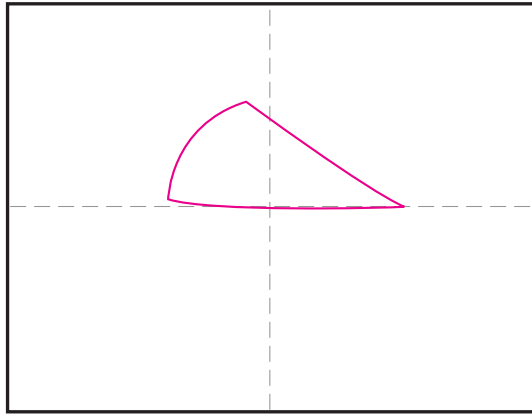
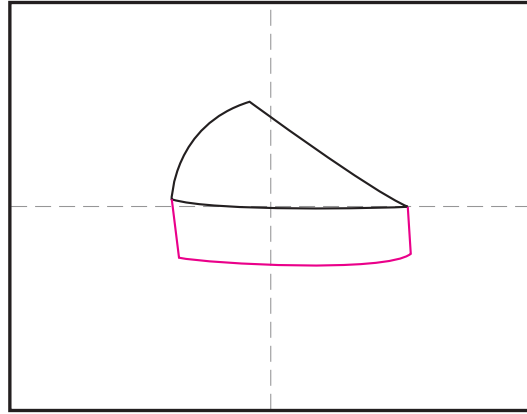


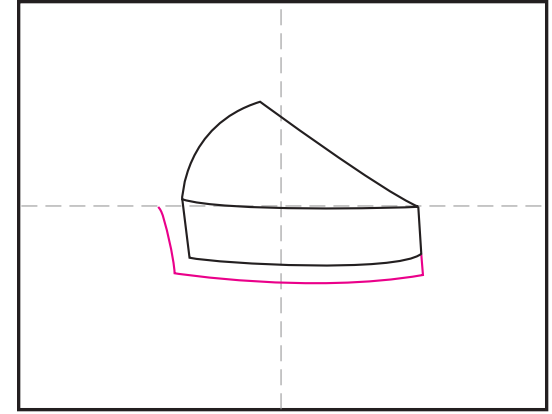
# Draw Pumpkin Pie



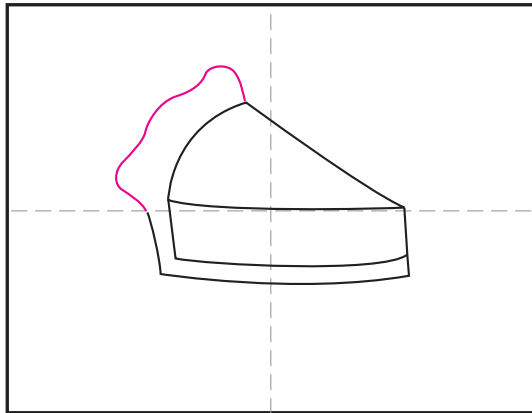
1. Start the top of the pie with a triangle.



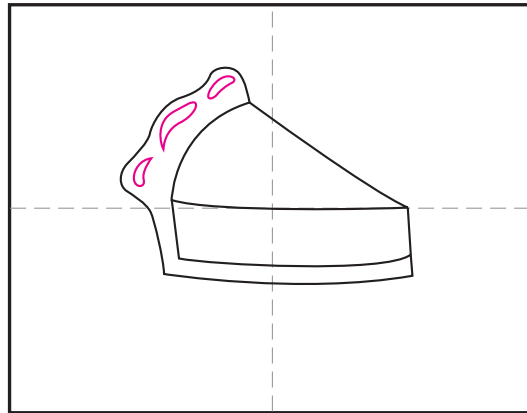
2. Add a rectangle shaped side.



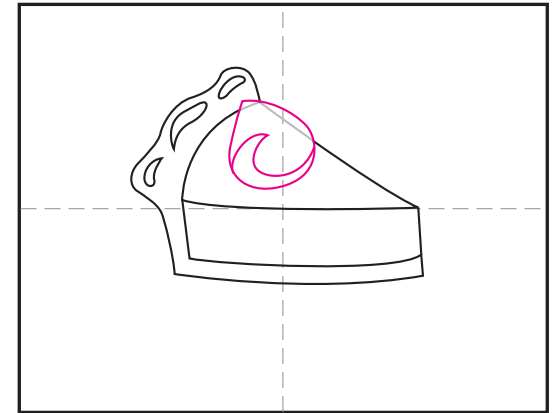
3. Start the bottom of the crust.



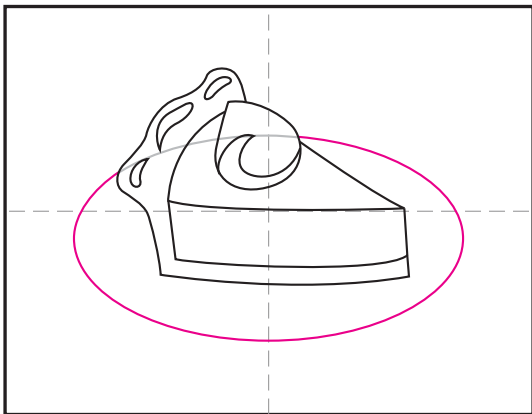
4. Finish with the top of the crust.



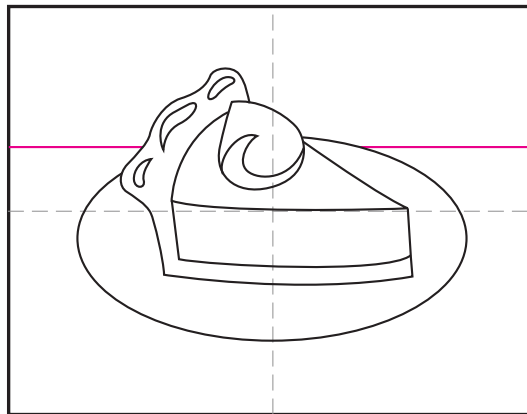
5. Add bump shapes to the crust.



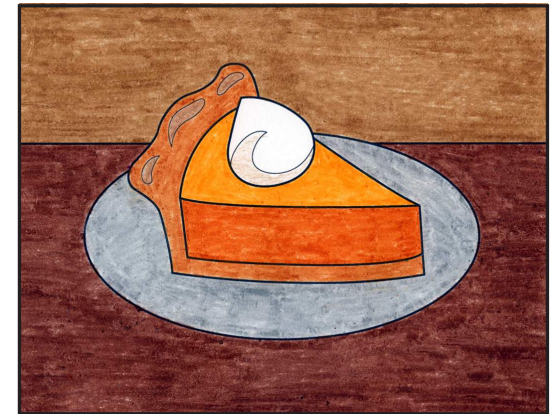
6. Draw whip cream and erase lines inside.



7. Draw an oval plate in the background.



8. Finish with table line.



9. Trace with a marker and color.

# Pumpkin Pie

