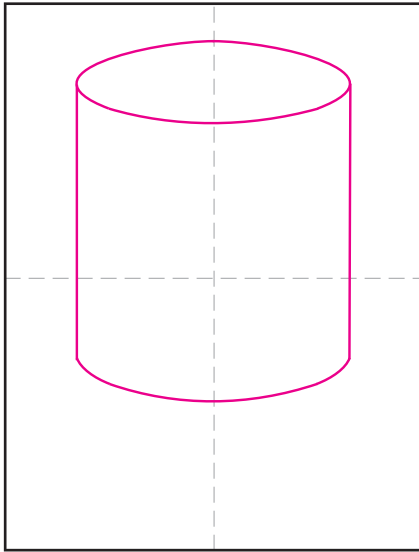
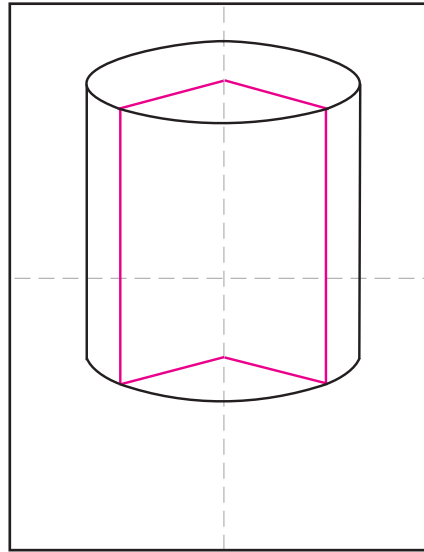


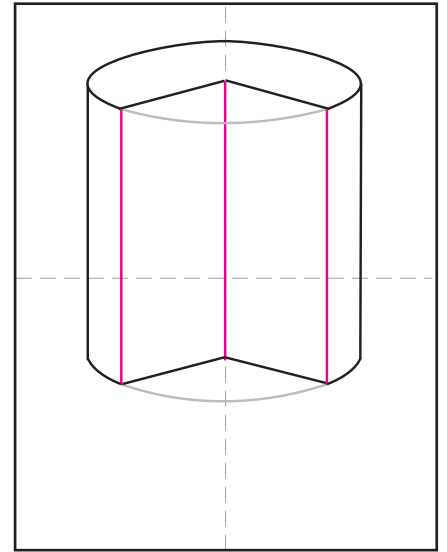
# How to Draw a Mile High Cake



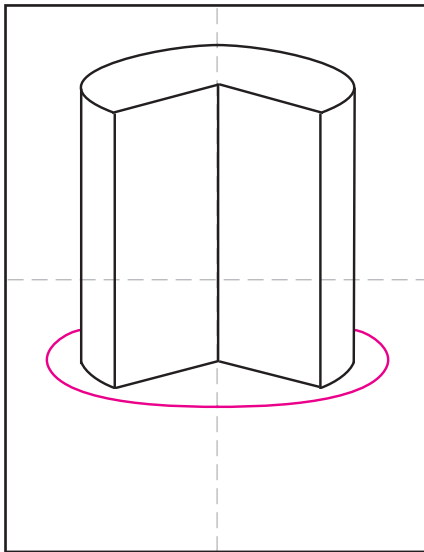
1. Draw a tall cylinder.



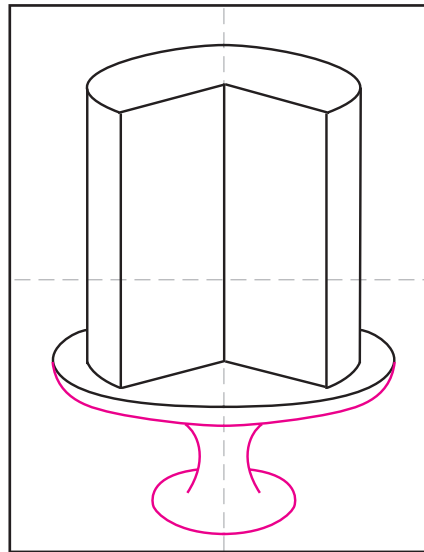
2. Draw symmetrical slice lines.



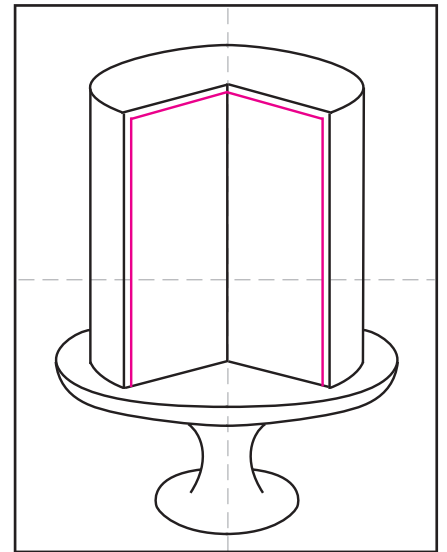
3. Erase gray curves, add center line.



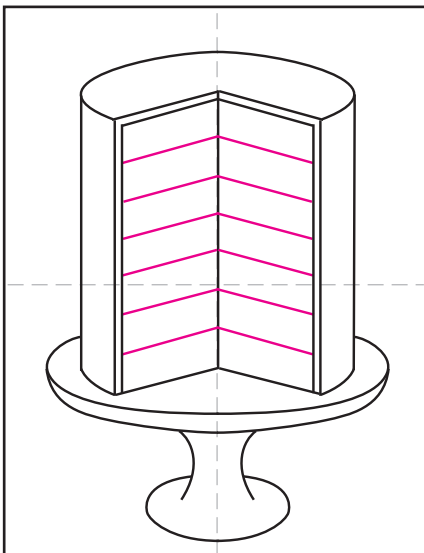
4. Draw an oval underneath.



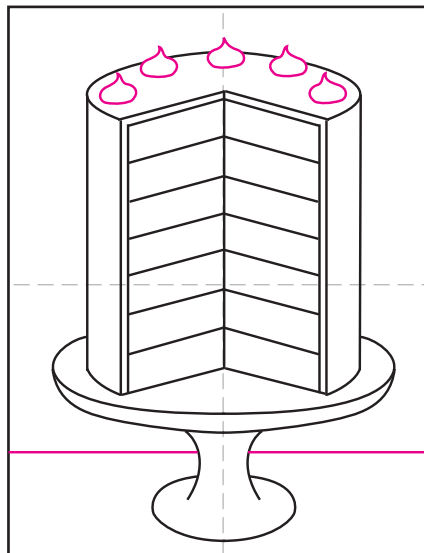
5. Finish the cake pedestal.



6. Add frosting lines.



7. Draw cake layers.



8. Finish frosting and draw table line.



9. Trace with a marker and color.

# Draw a Mile High Cake

