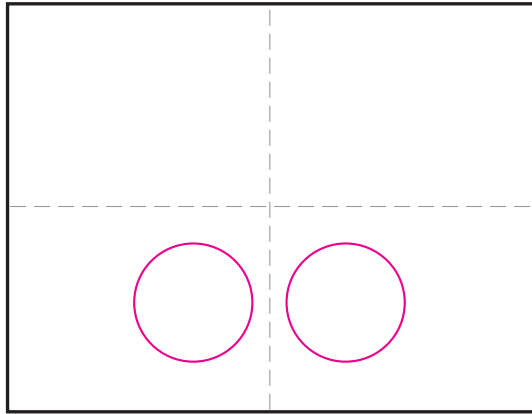
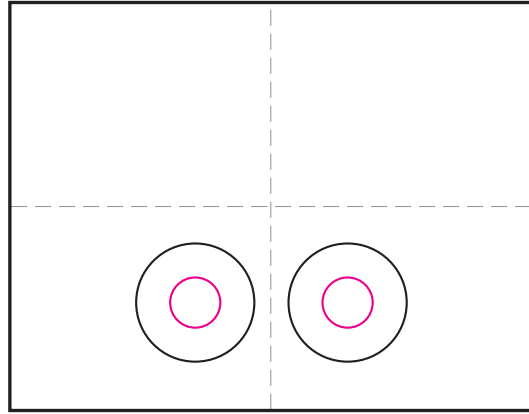


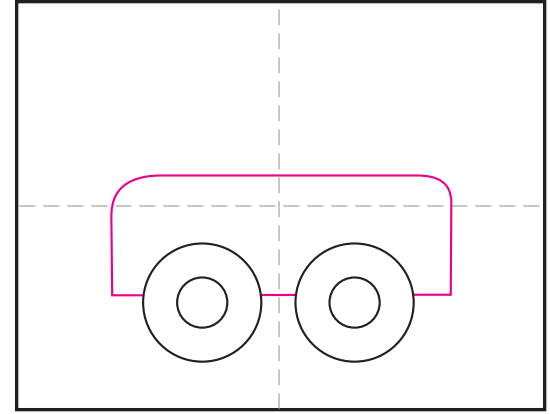
Draw a Cartoon Car



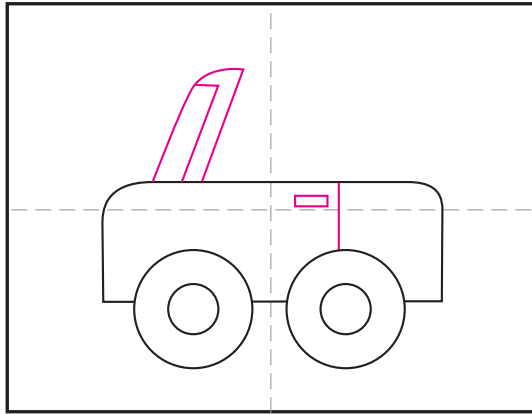
1. Draw two circles for the wheels.



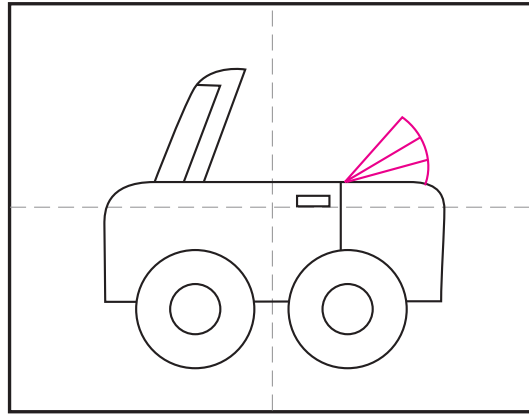
2. Add the hubcaps inside.



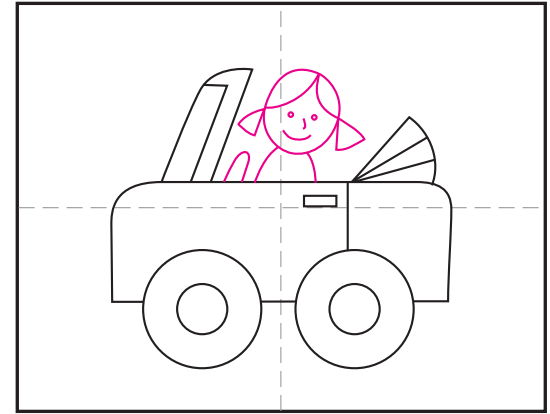
3. Draw the car shape behind the wheels.



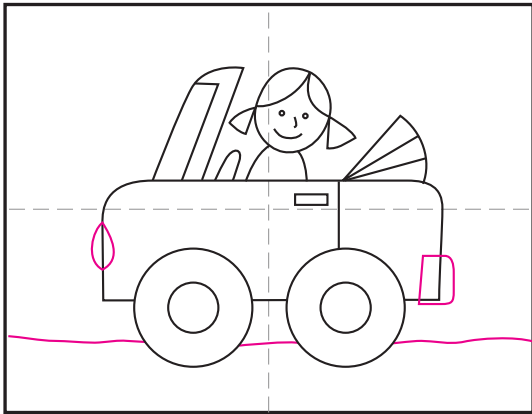
4. Add door line and window.



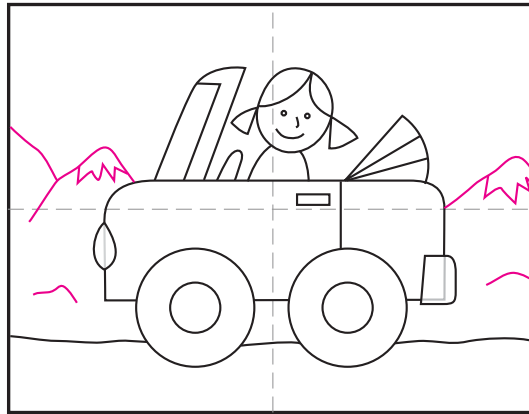
5. Draw the folded top.



6. Add a person and wheel.



7. Draw light, bumper and ground line.



8. Draw a background.



9. Trace with a marker and color.

Cartoon Car

