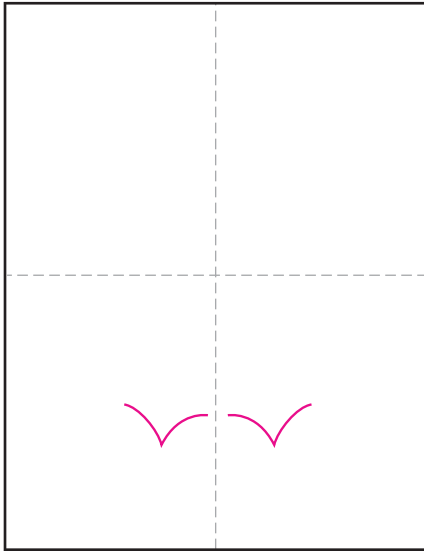
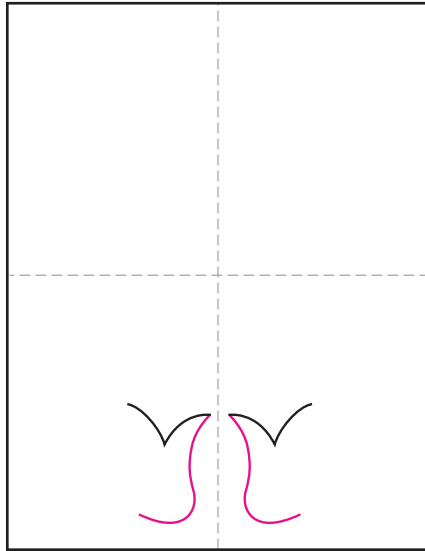


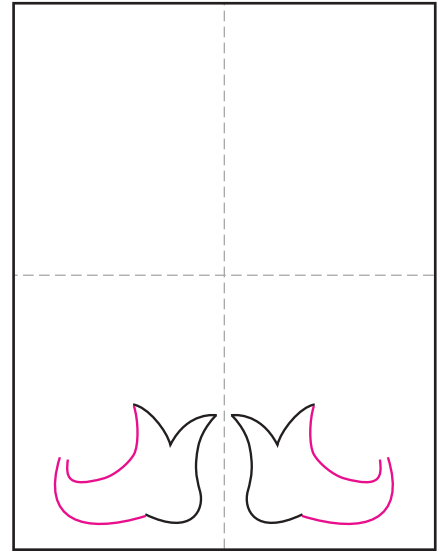
Draw Elf Legs



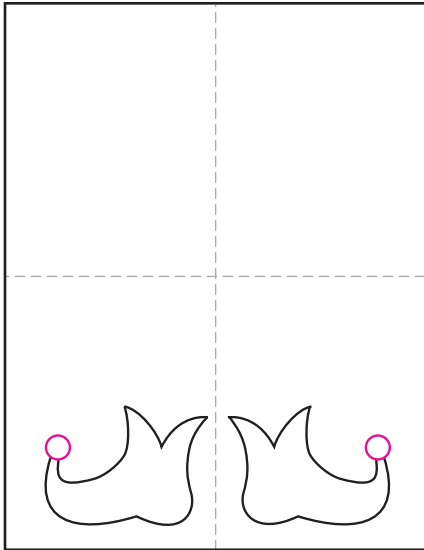
1. Start shoes with 2 V shapes.



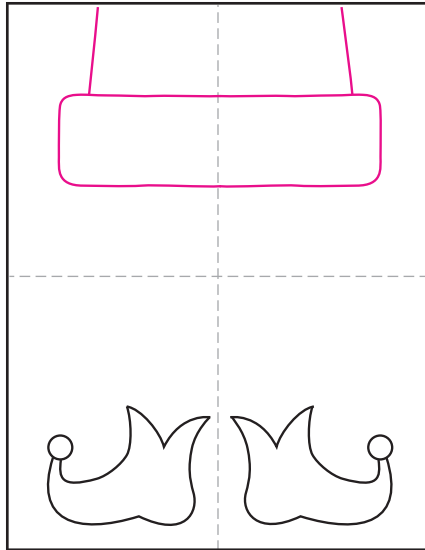
2. Draw the symmetrical heels.



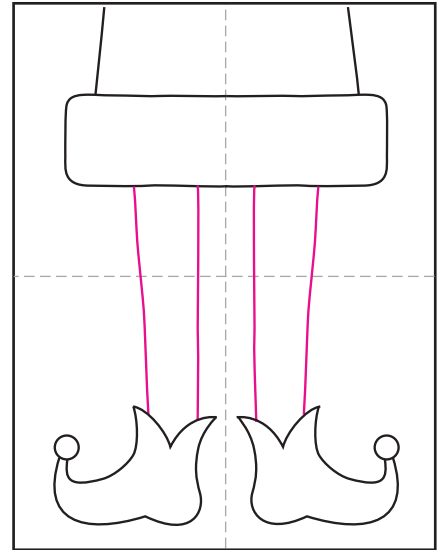
3. Add shoe tops and bottoms.



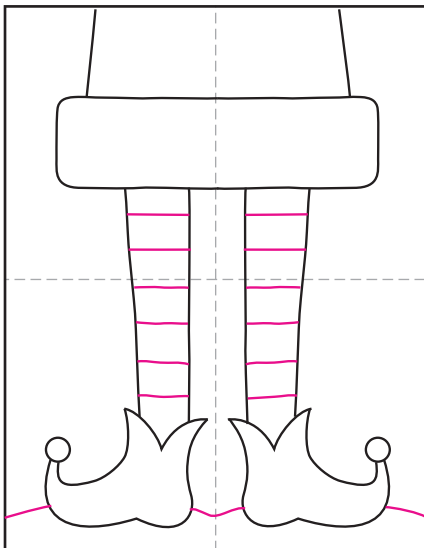
4. Finish will ball or bell shape.



5. Draw bottom of elf shirt.



6. Connect to shoes with legs.



7. Add stripes and snow line.



8. Trace and color with marker.



9. Add extra color to make shadows.

Elf Legs



