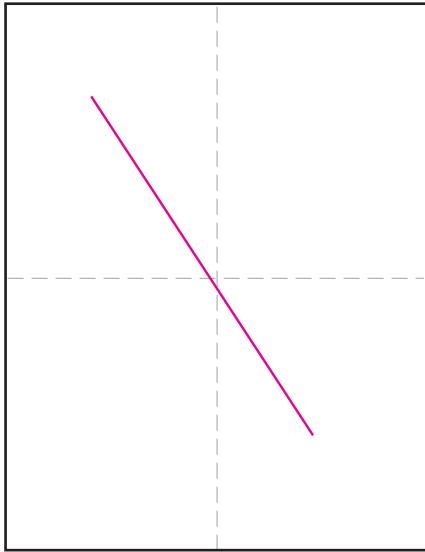
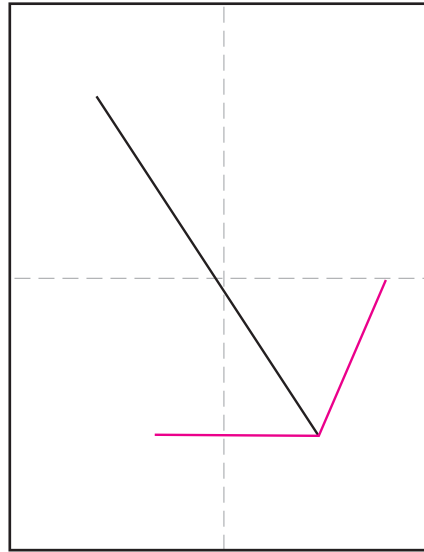


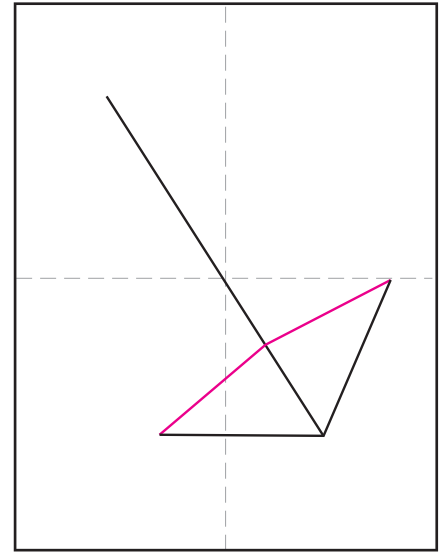
Draw a Dreidel



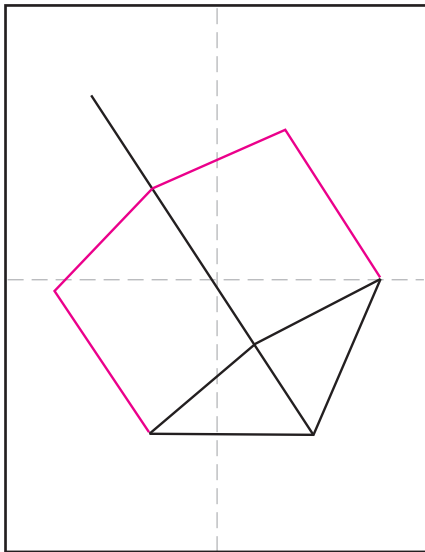
1. Draw a diagonal line.



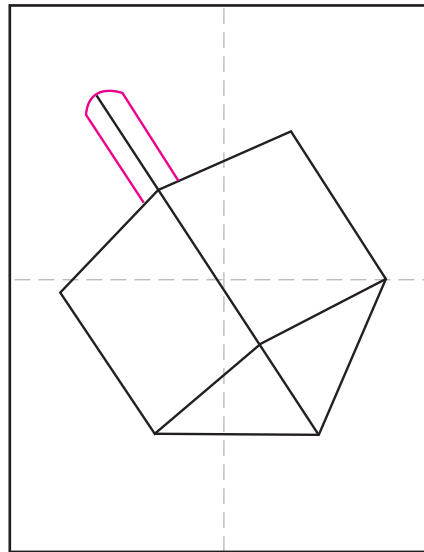
2. Add an arrow at one end.



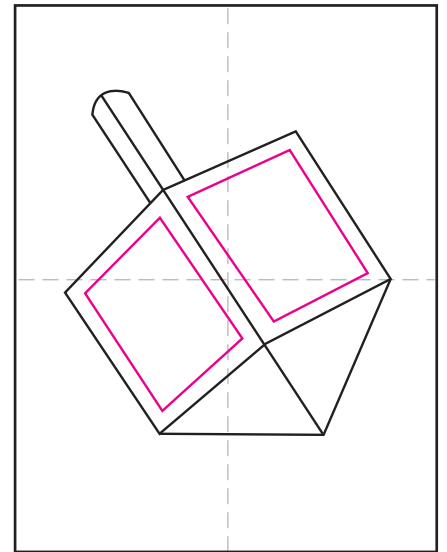
3. Connect the two points.



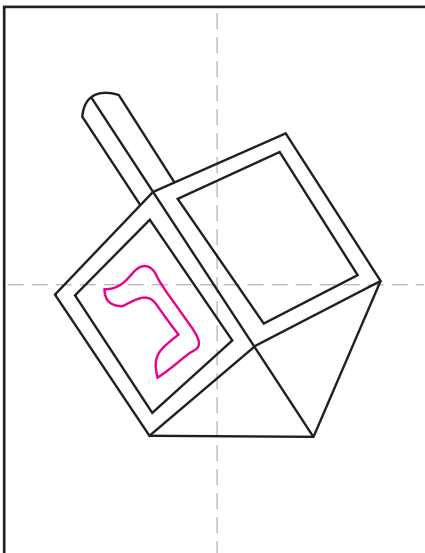
4. Add the two sides.



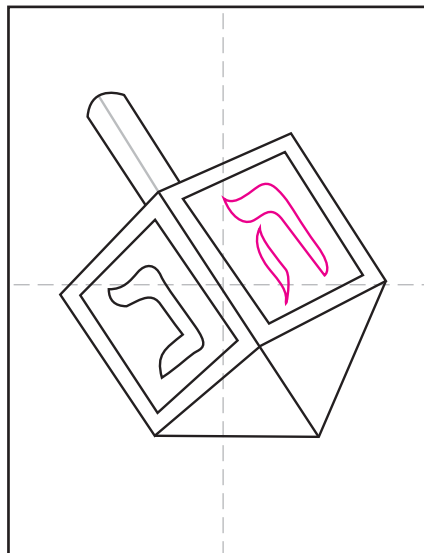
5. Add lines to the stick end.



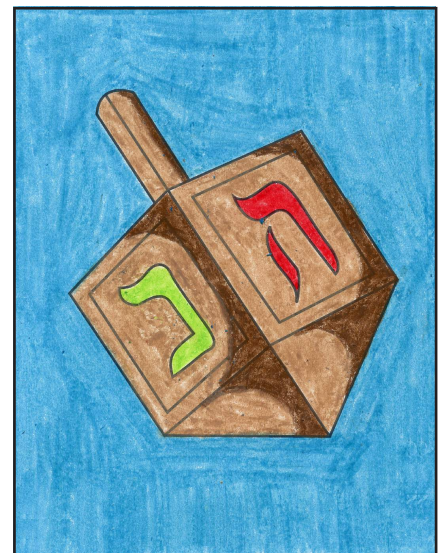
6. Draw rectangle lines inside.



7. Add a Hebrew letter.



8. Draw another, erase inside line.



9. Trace with a marker and color.

Dreidel

