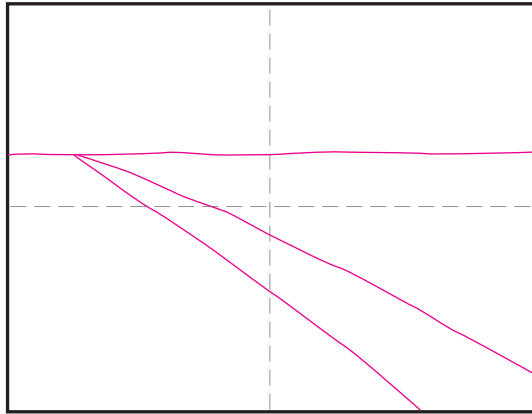
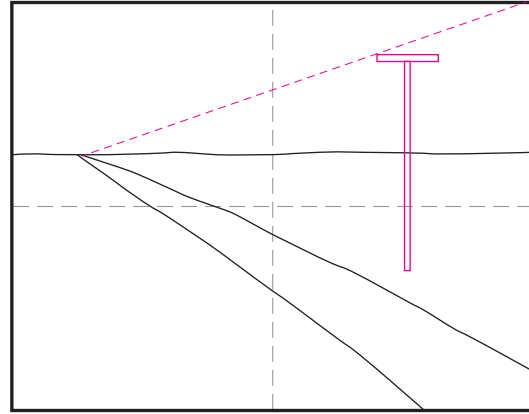


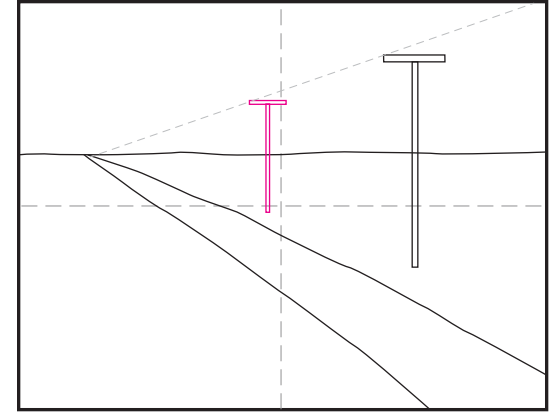
Another One Point Perspective Drawing



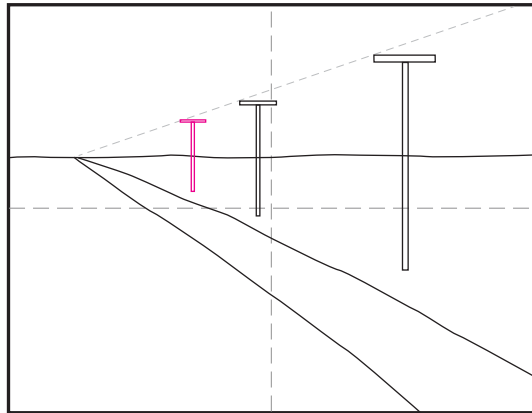
1. Draw a horizon and road that comes to point.



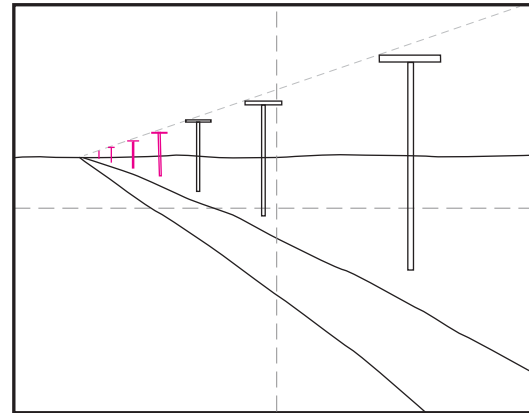
2. Draw a guide line. Add the largest telephone pole.



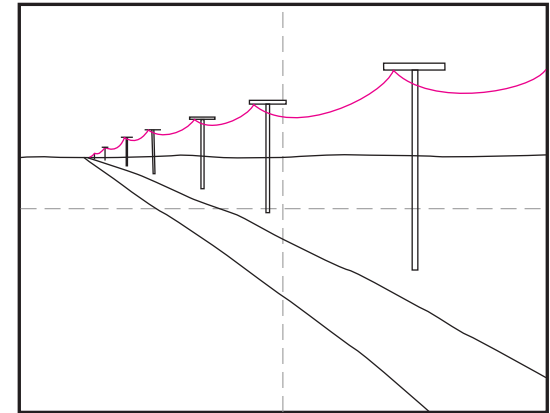
3. Draw a smaller T near the middle of the paper.



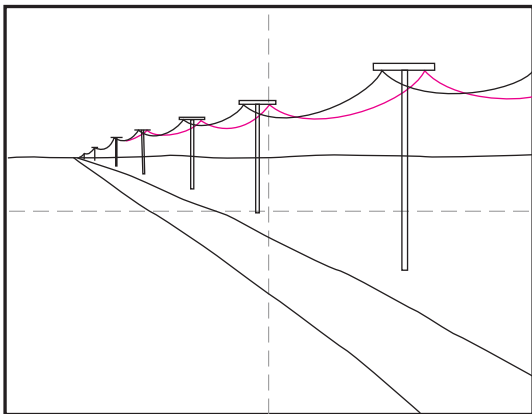
4. Add a smaller T to the left.



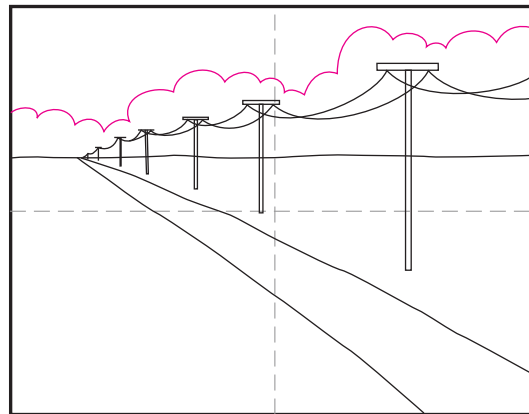
5. Finish with more Ts, all touching the guide line.



6. Erase the guide and draped wire line on the left.



7. Draw the wire line draped on the right.



8. Fill background with lots of puffy clouds.



9. Trace with a marker and color.

Another One Point Perspective

