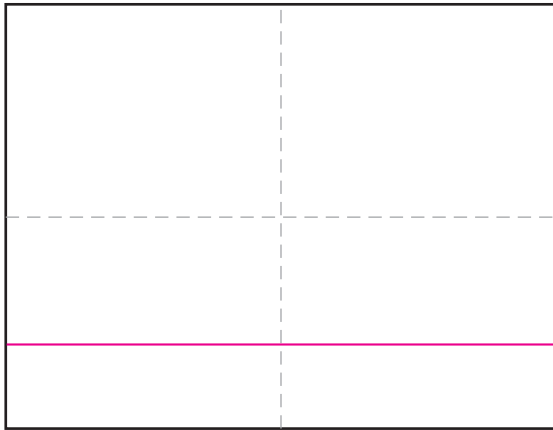
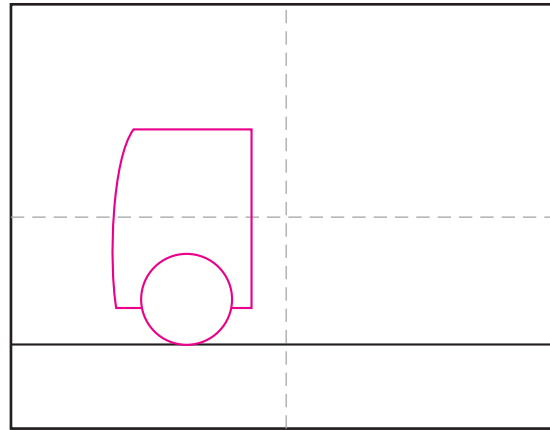


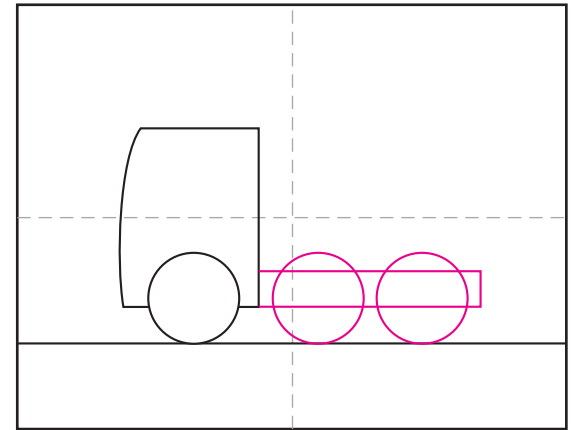
Draw a Cement Mixing Truck



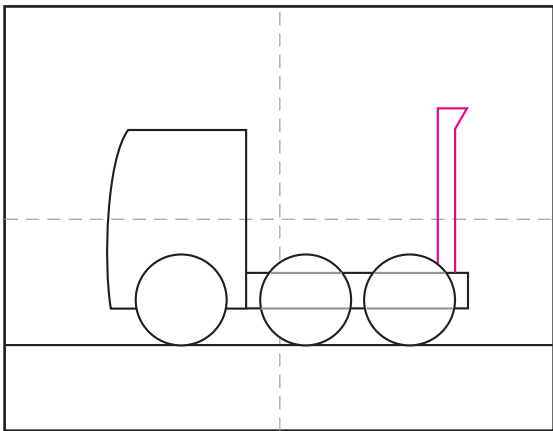
1. Draw the horizon line.



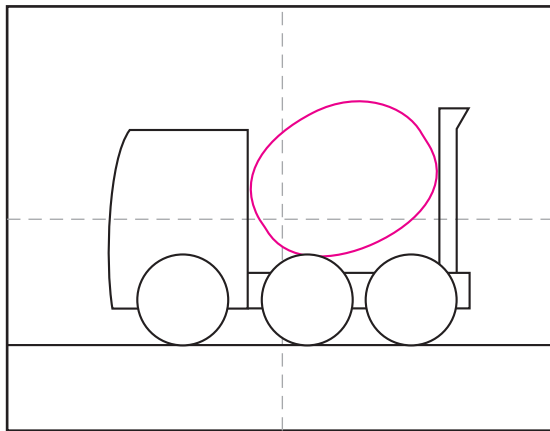
2. Add front wheel and cab.



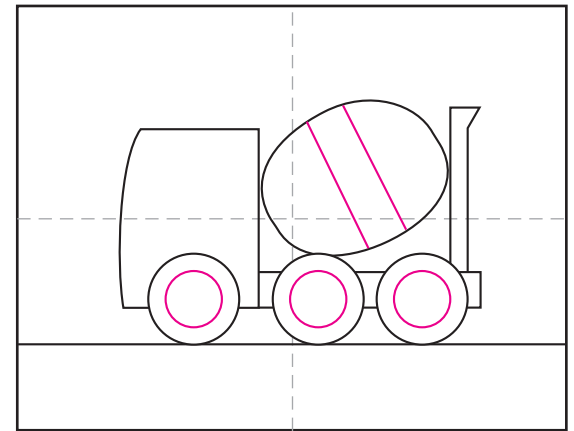
3. Draw back bed and two wheels.



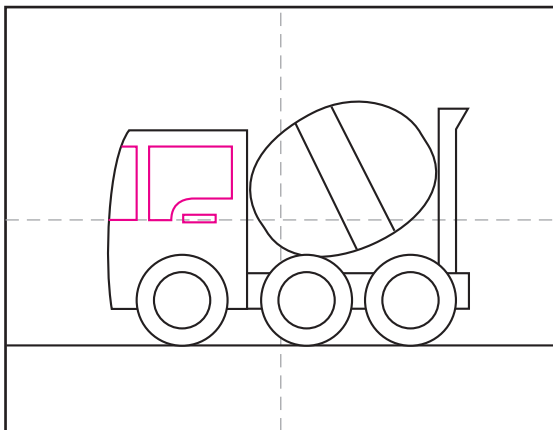
4. Erase inside wheel. Add back stand.



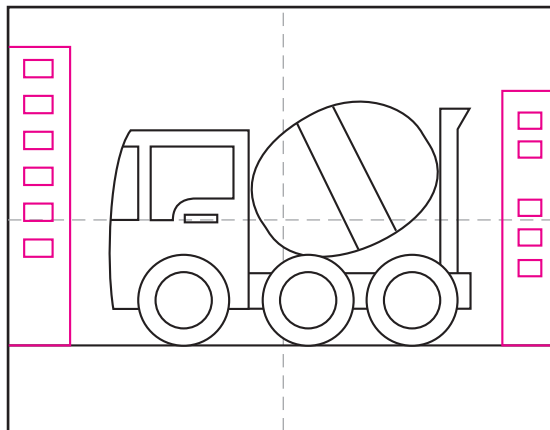
5. Draw tilted mixer.



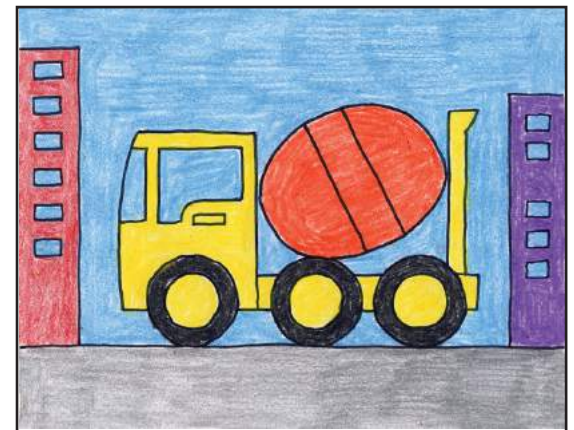
6. Add wheel details and mixer stripe.



7. Add cab windows.



8. Draw buildings on both sides.



9. Trace with a marker and color.

Draw a Cement Mixing Truck

