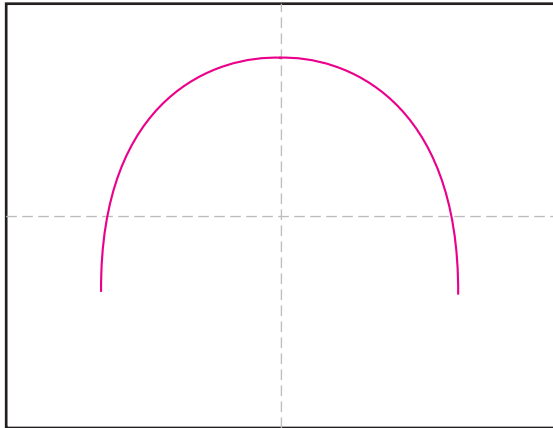
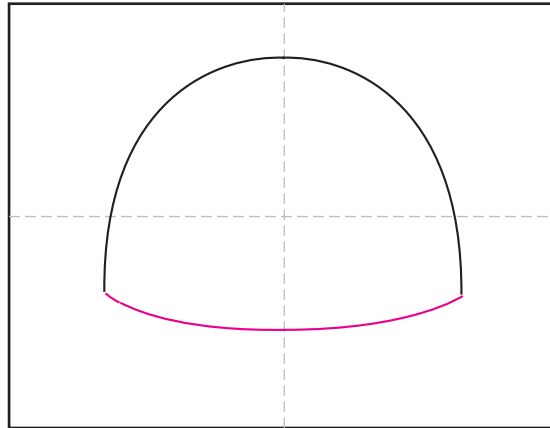


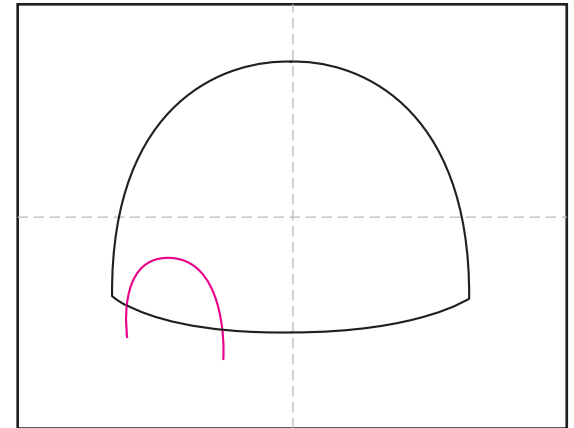
Draw an Igloo



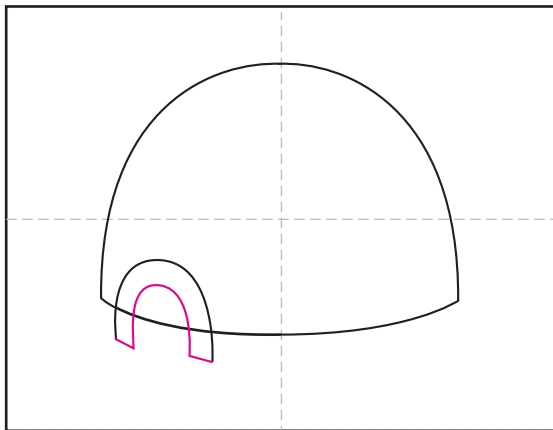
1. Draw a large upside down C shape.



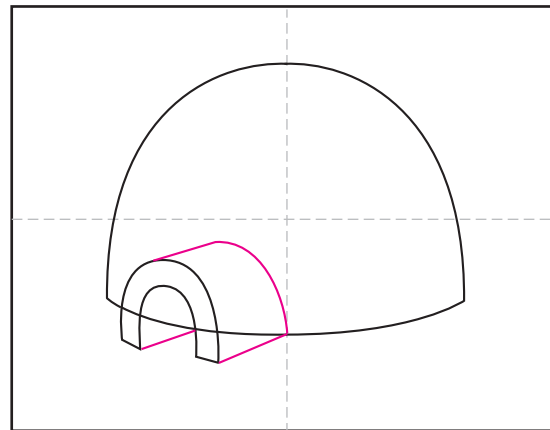
2. Connect the bottom with a slight curve.



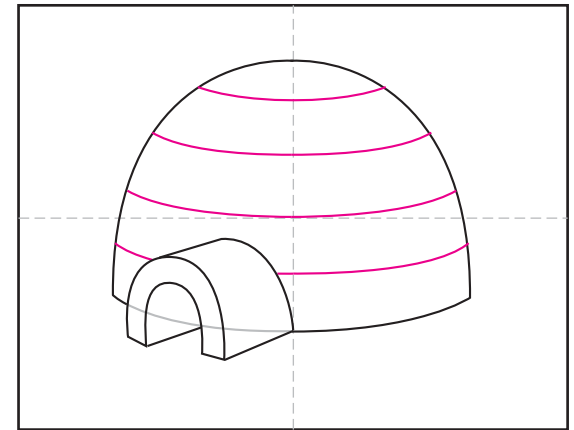
3. Start door with another upside down curve.



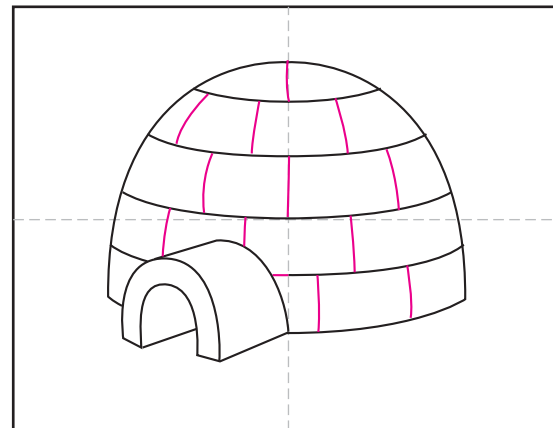
4. Draw inside curve of door.



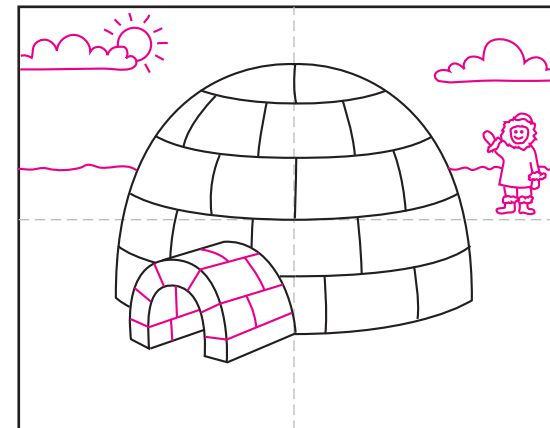
5. Draw the door connecting to the igloo.



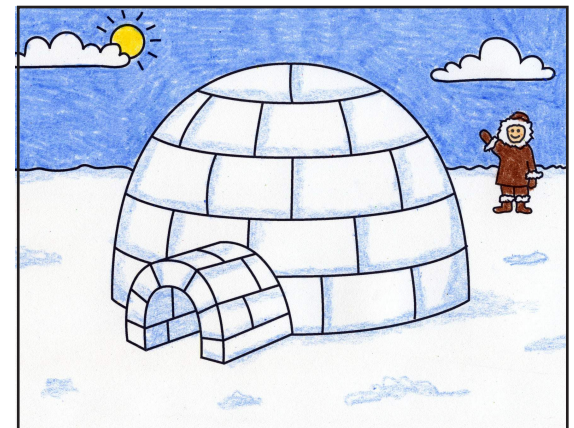
6. Erase gray lines. Draw horizontal curved lines.



7. Add staggered vertical lines.



8. Add lines to the door. Draw the background.



9. Trace with a marker and color.

Igloo

