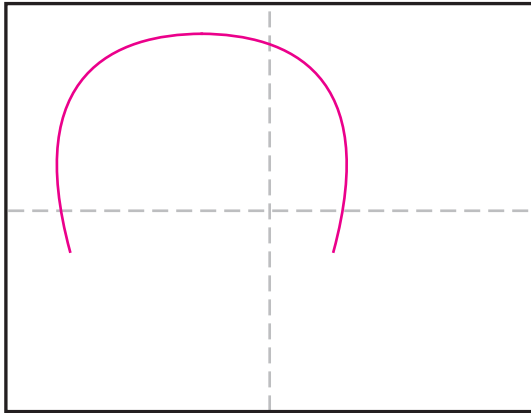
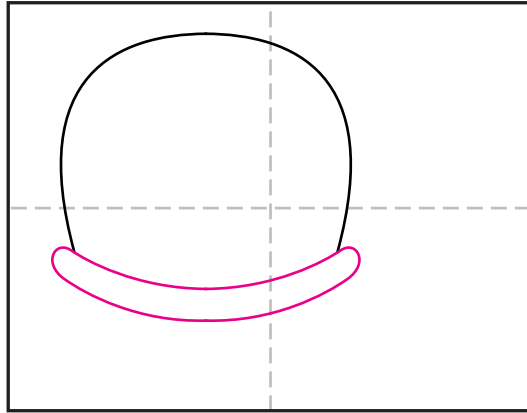


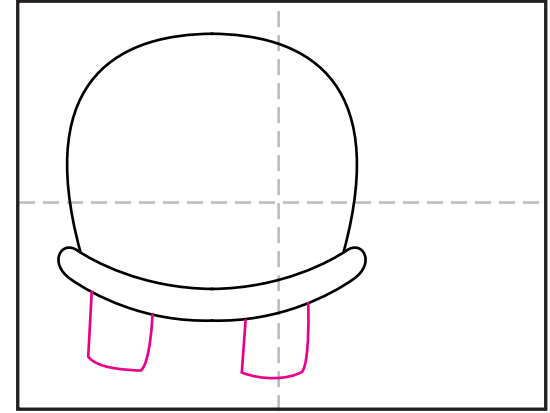
How to Draw a Turtle



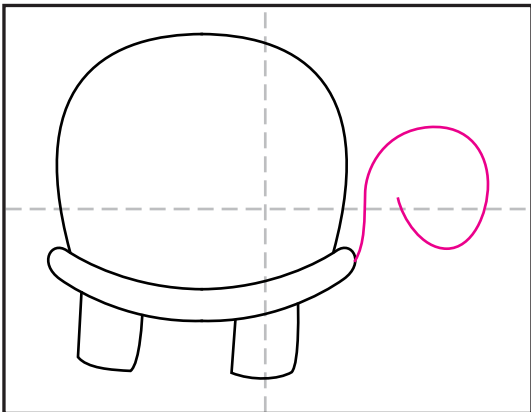
1. Draw an upside down U shape.



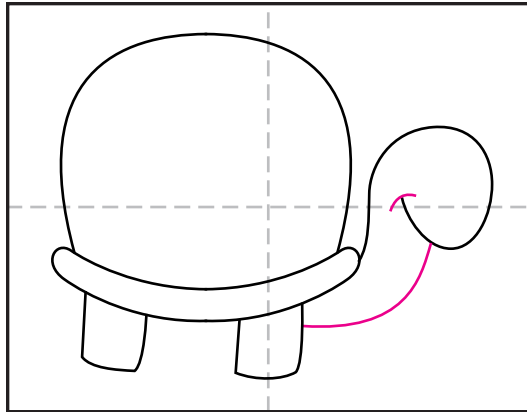
2. Draw bottom curved edge of the shell.



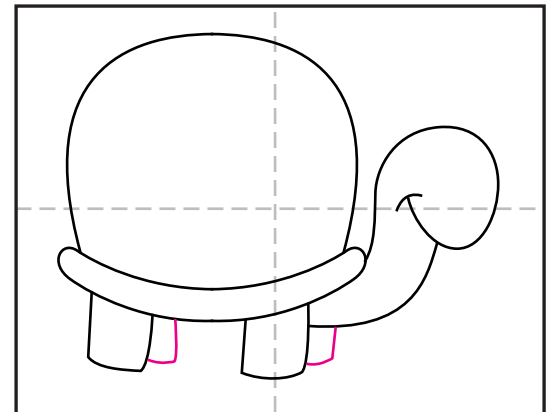
3. Draw two legs.



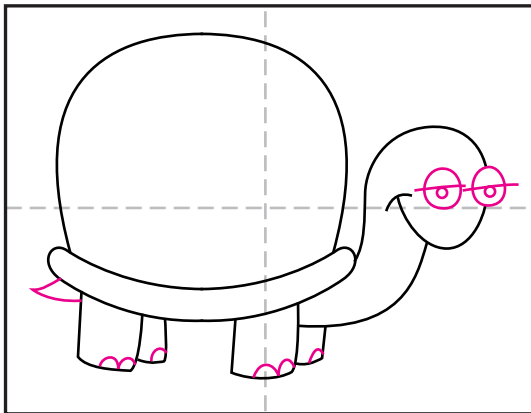
4. Start the head.



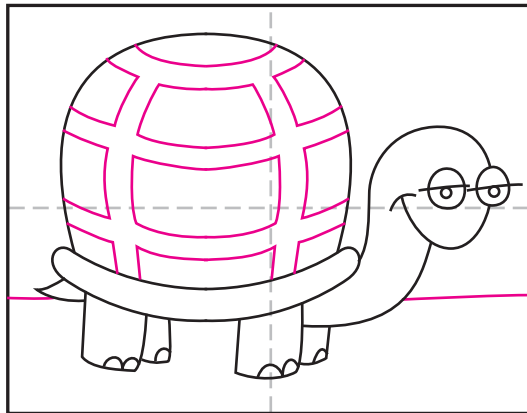
5. Finish the neck underneath.



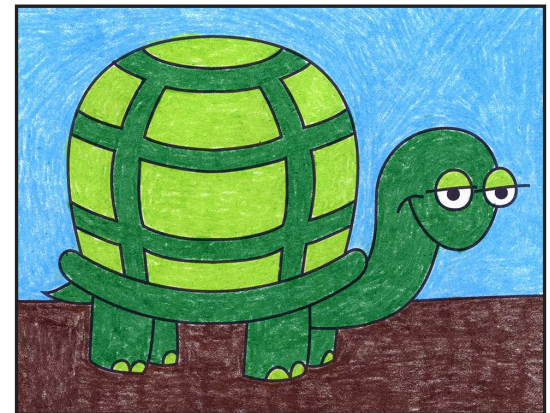
6. Add two back legs.



7. Add the eyes, toenails and tail.



8. Finish with shell pattern and a horizon line.



9. Trace with a marker and color.

Turtle

