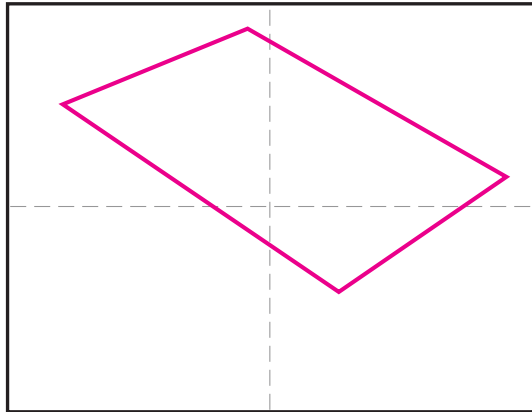
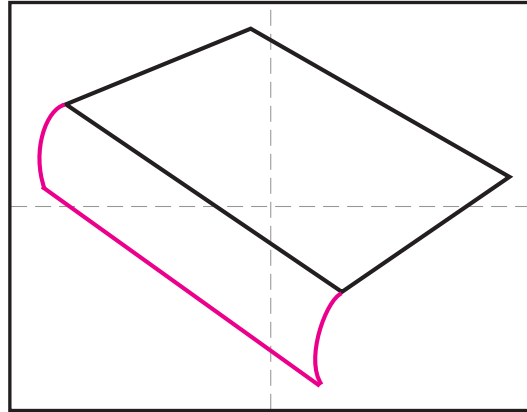


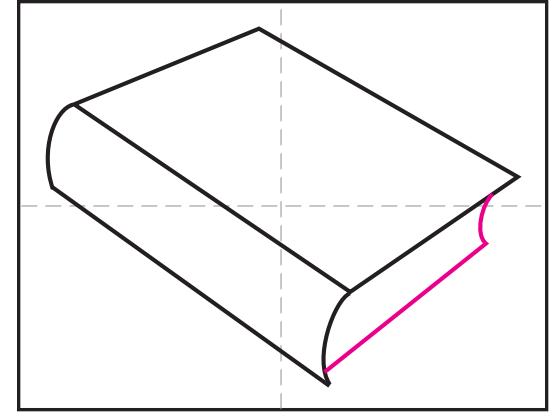
How to Draw a Book



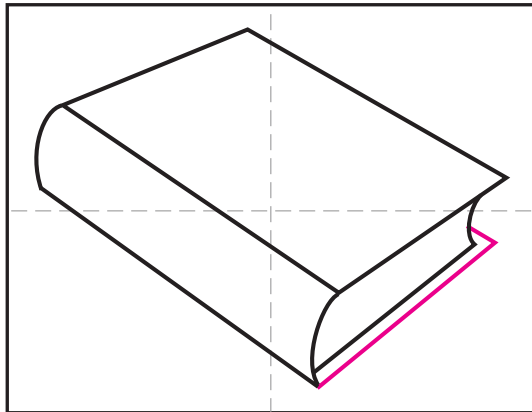
1. Draw a rectangle cover at an angle, as shown.



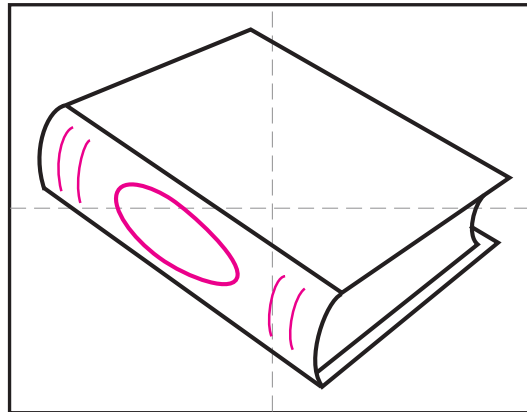
2. Add a spine on one side.



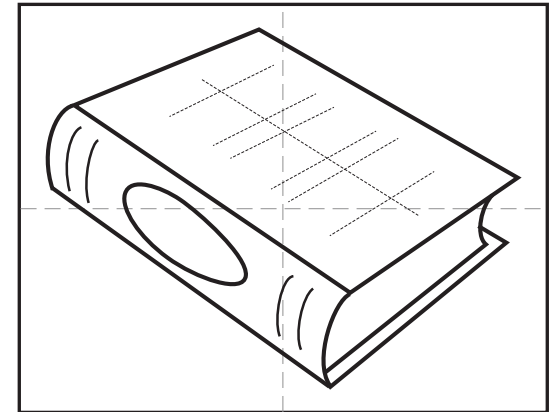
3. Draw the pages below the cover.



4. Add the back cover below.



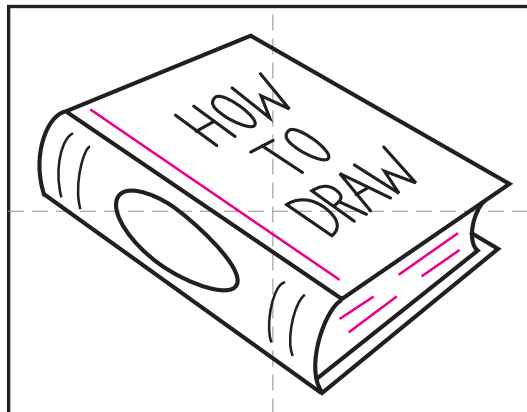
5. Draw art and lines on the spine.



6. Add very light guide lines on the cover.



7. Write letters that follow the guide lines.



8. Erase guide lines and add final details.



9. Trace with a marker and color.

Book

