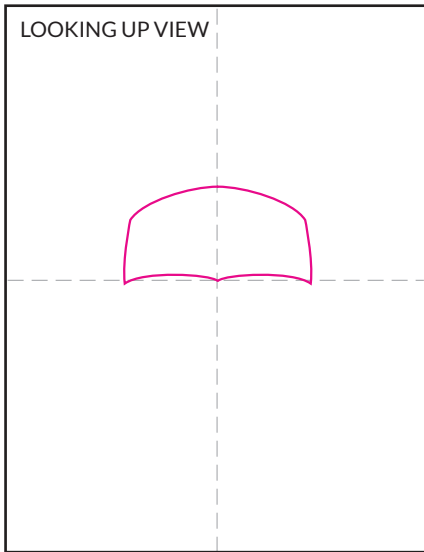
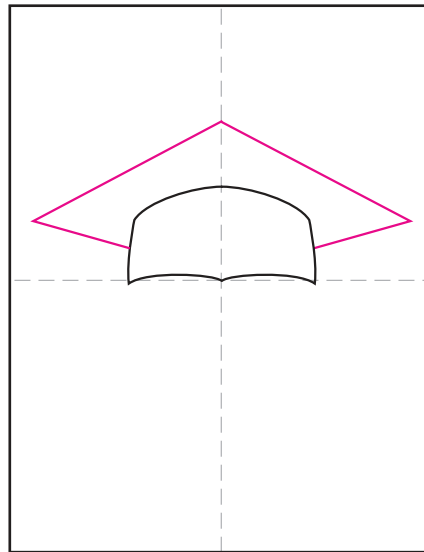


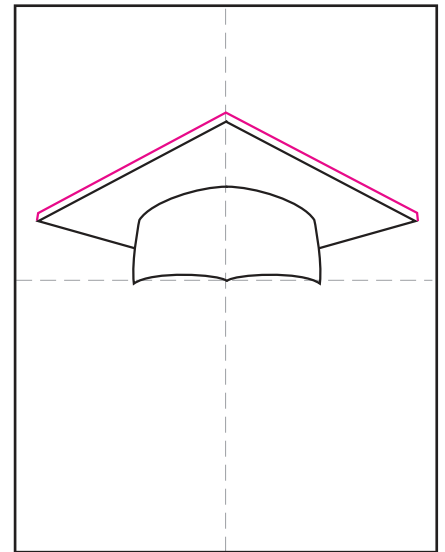
Draw a Graduation Cap



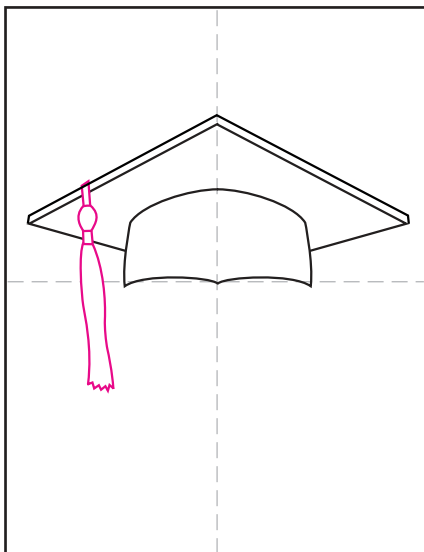
1. Draw a symmetrical cap shape.



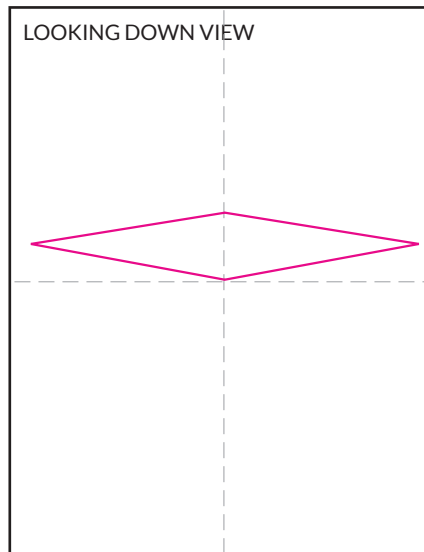
2. Add the diamond mortarboard on top.



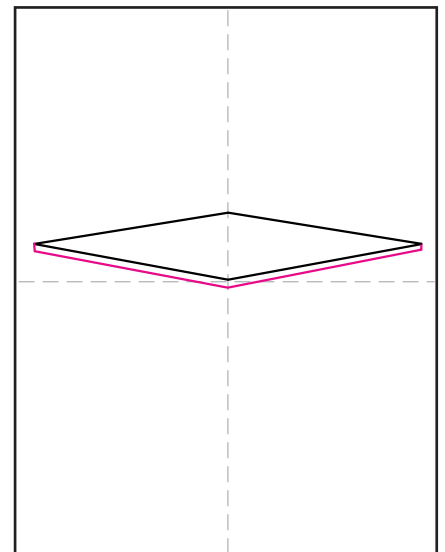
3. Add an edge to the mortarboard.



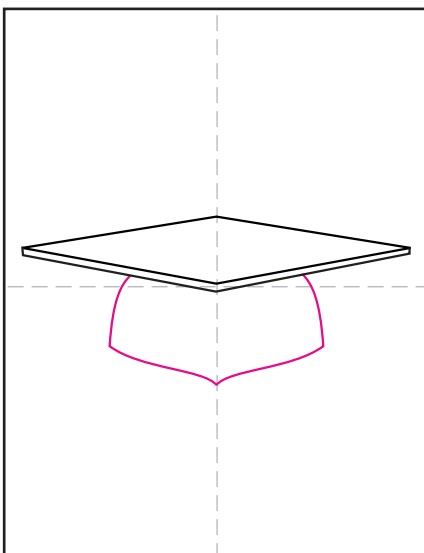
4. Draw a tassel on one side.



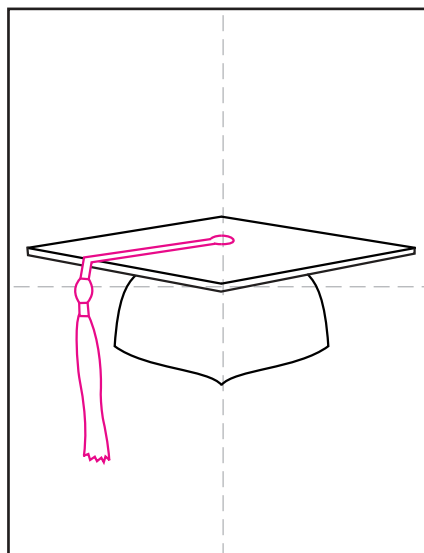
5. Draw a diamond mortarboard.



6. Add an edge to the mortarboard.



7. Draw a symmetrical cap shape below.



8. Draw a tassel on one side.



9. Trace with a marker and color.

Graduation Cap



