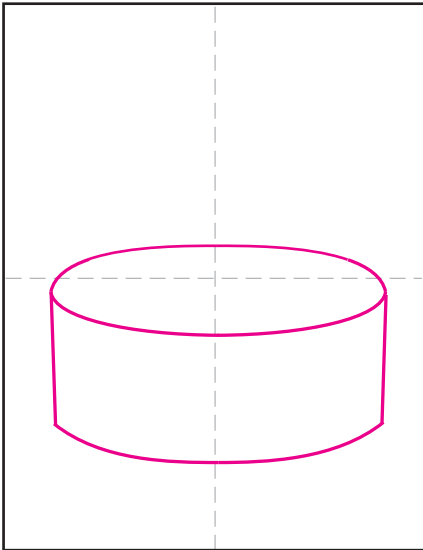
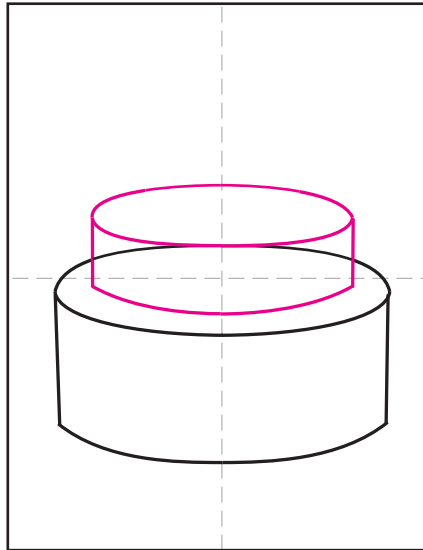


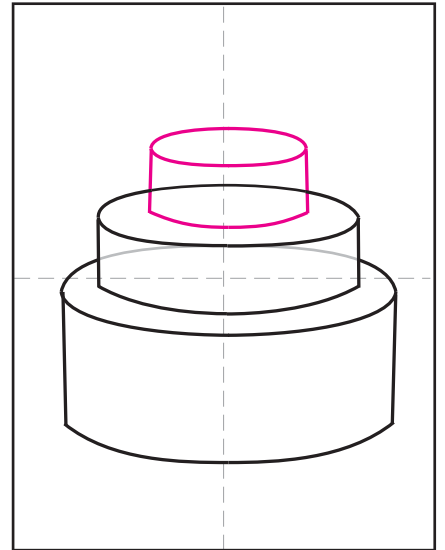
Draw a Birthday Cake



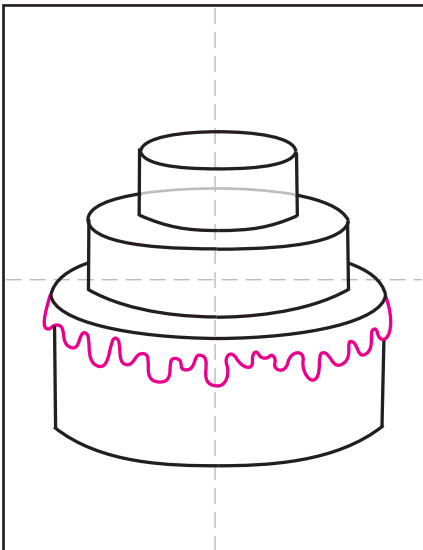
1. Draw a tube for the bottom layer.



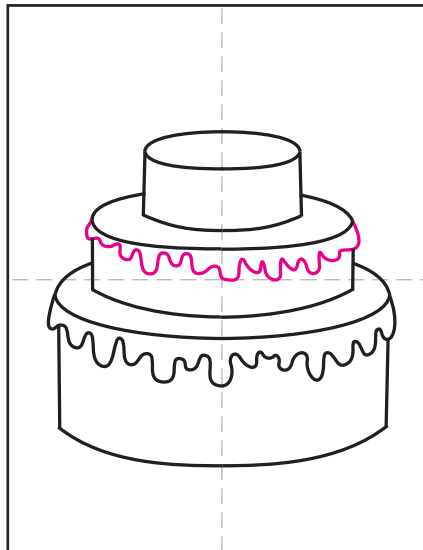
2. Add a smaller tube shape on top.



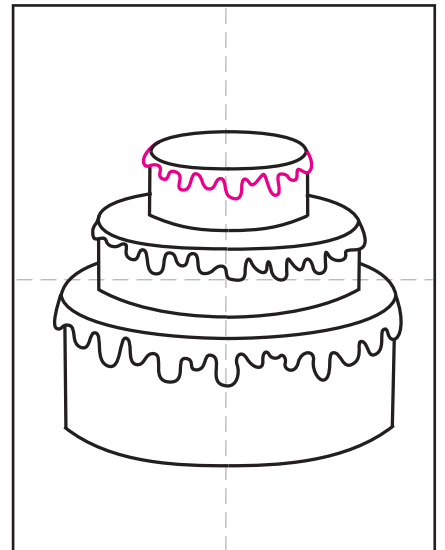
3. Erase line, add a smaller tube on top.



4. Erase line and draw drippy frosting.



5. Add another drippy edge of frosting.



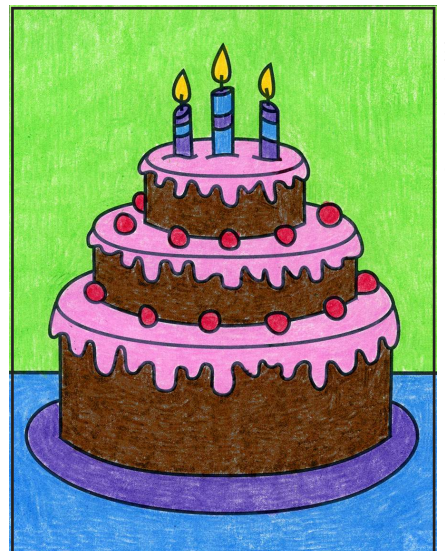
6. Add the last drippy edge of frosting.



7. Draw candles on top.



8. Add cherries or candy and a plate.



9. Trace with a marker and color.

Birthday Cake

