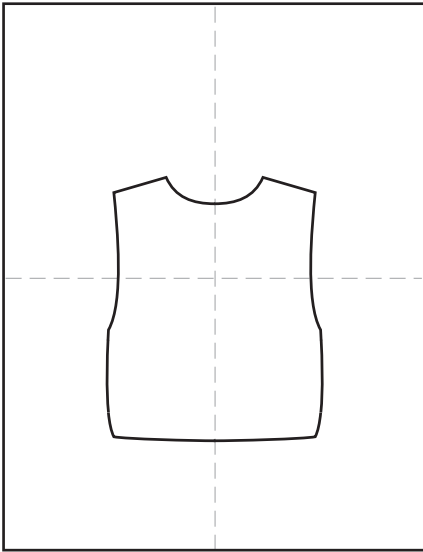
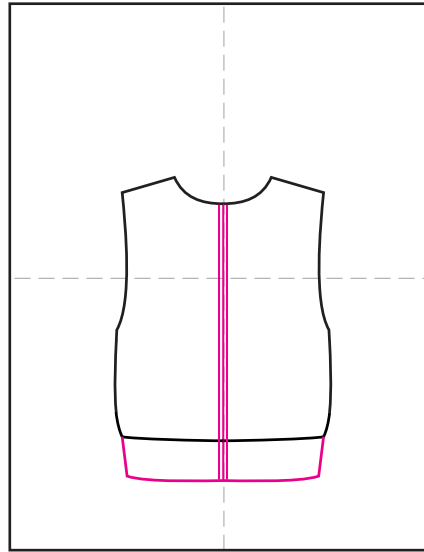


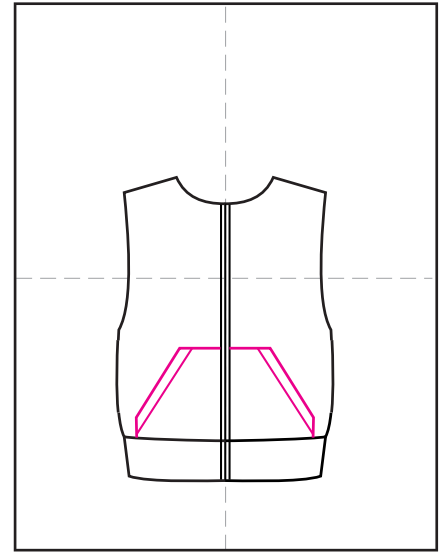
How to Draw a Hoodie



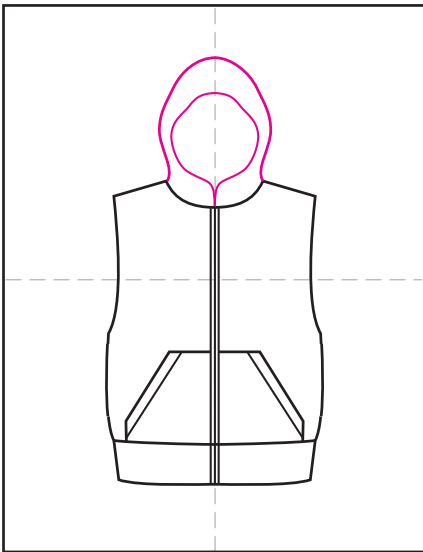
1. Draw the body of the hoodie.



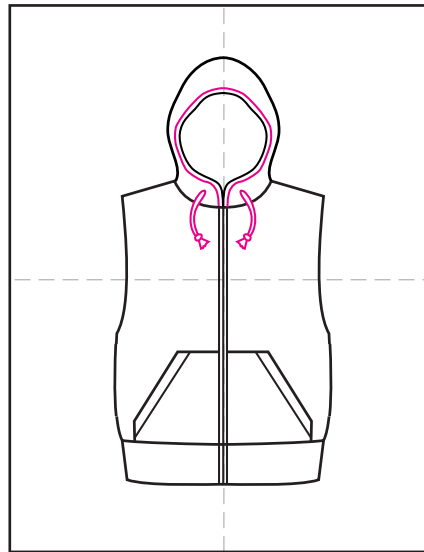
2. Add the waistband and zipper line.



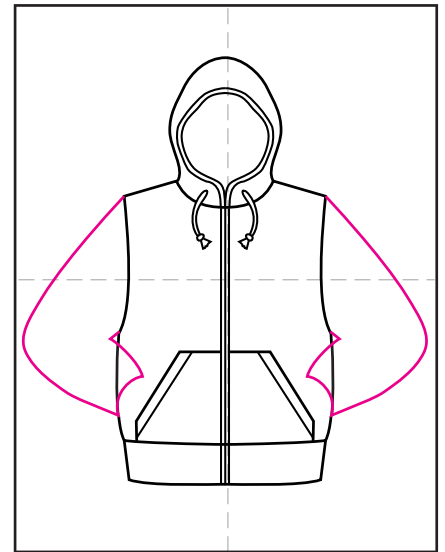
3. Add the front pockets.



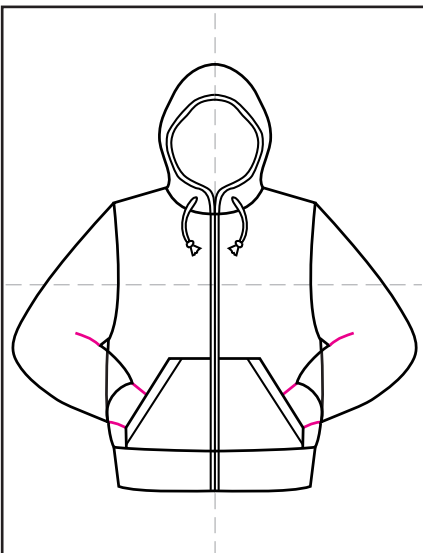
4. Draw the hood on top.



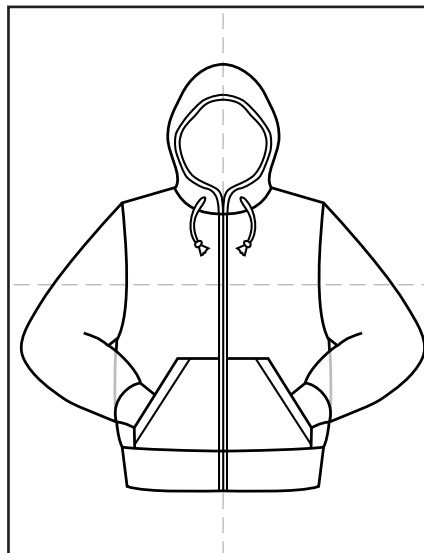
5. Add an edge and tie ends.



6. Draw two matching sleeves.



7. Add a wristband and fold line.



8. Erase the gray line inside the sleeve.



9. Trace with a marker and color.

Draw a Hoodie

