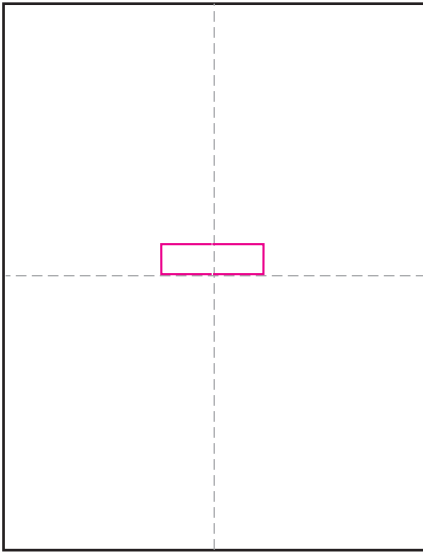
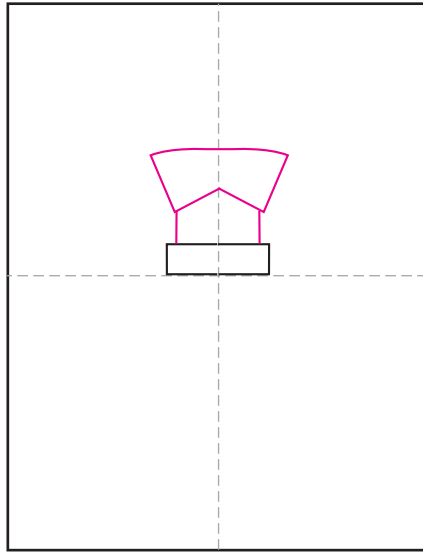


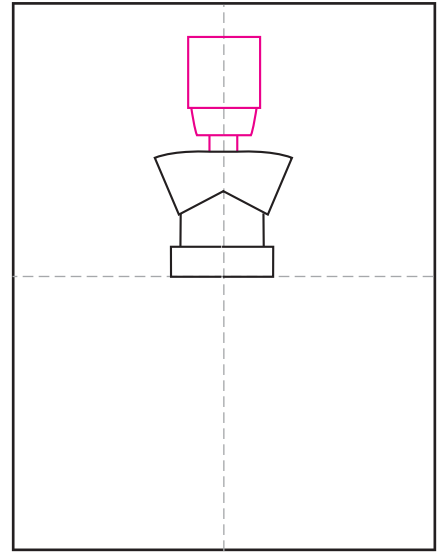
Draw Another Robot



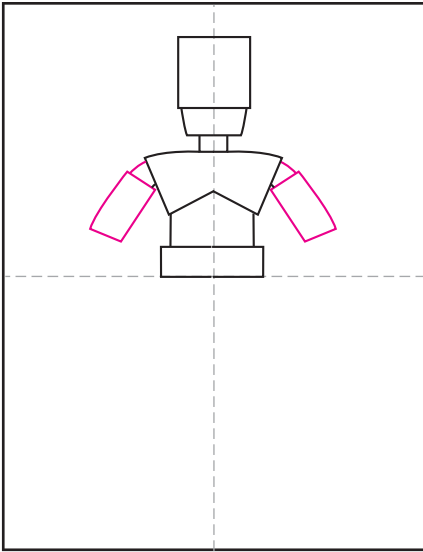
1. Draw a rectangle for the waist.



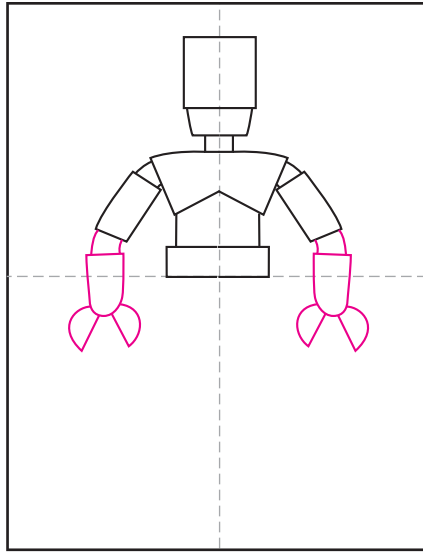
2. Draw the chest.



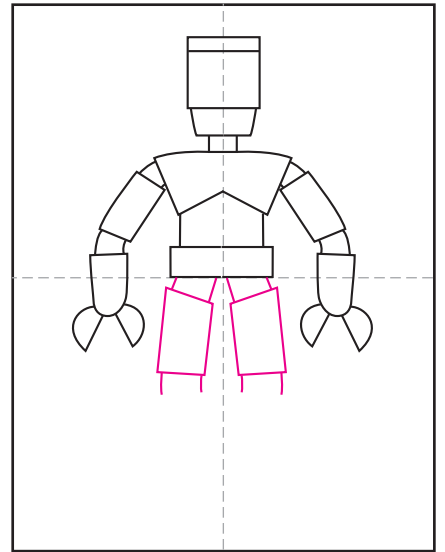
3. Add the head.



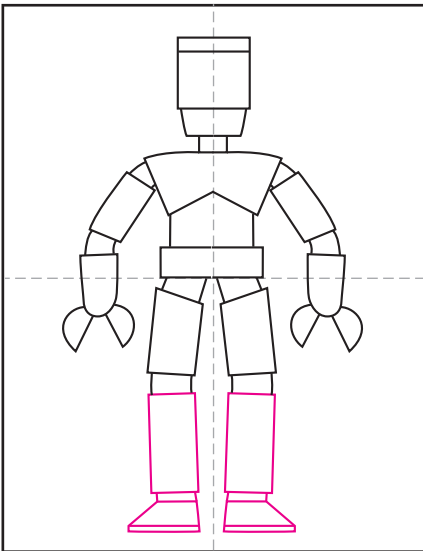
4. Draw tops of two arms.



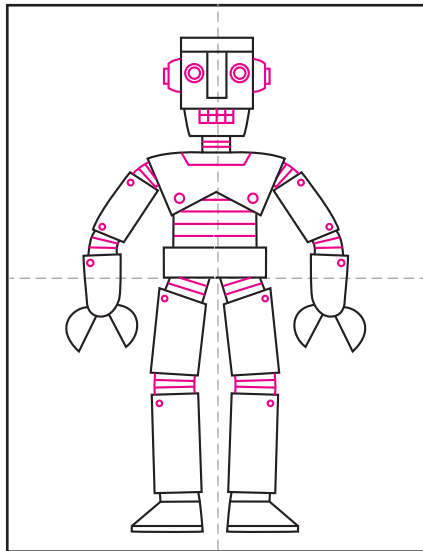
5. Draw bottom of arms.



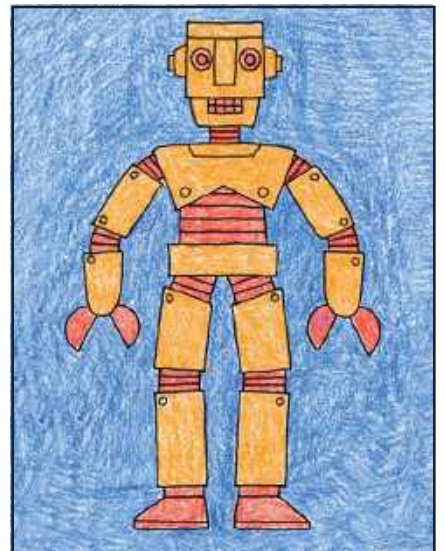
6. Draw tops of legs.



7. Draw bottom of legs.



8. Add details.



9. Trace with a marker and color.

Another Robot

