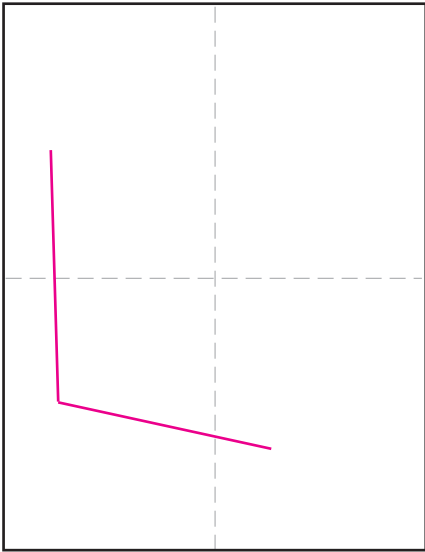
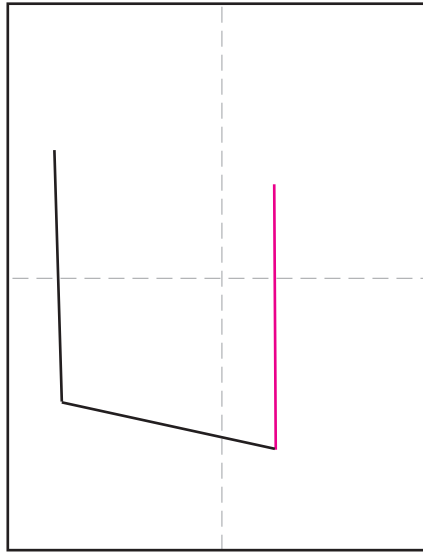


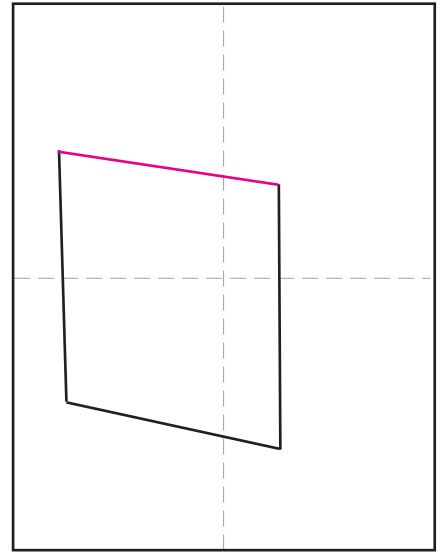
How to Draw a Cube



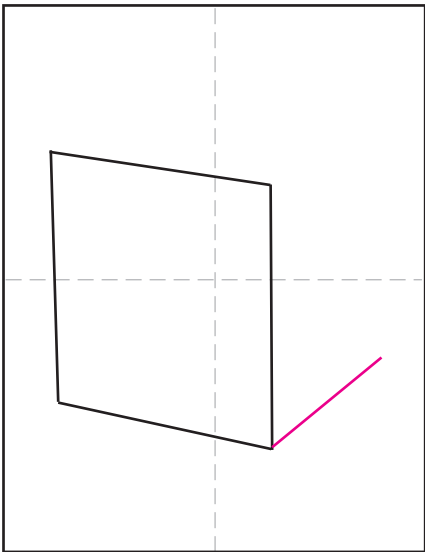
1. Start the front with an L shape.



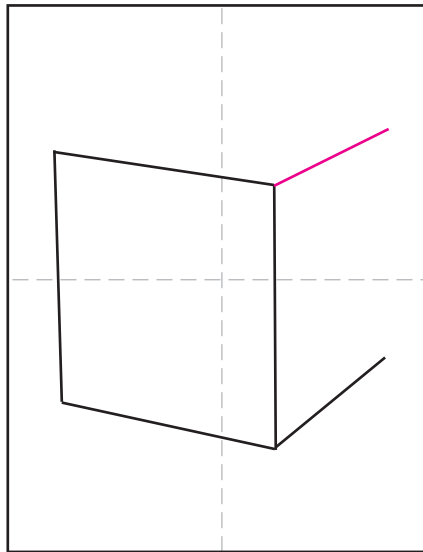
2. Add the vertical line.



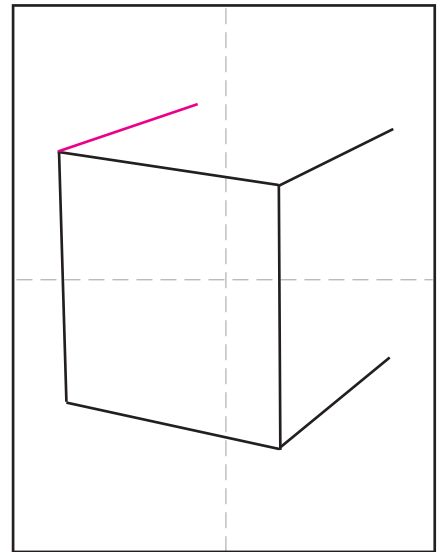
3. Connect at the top.



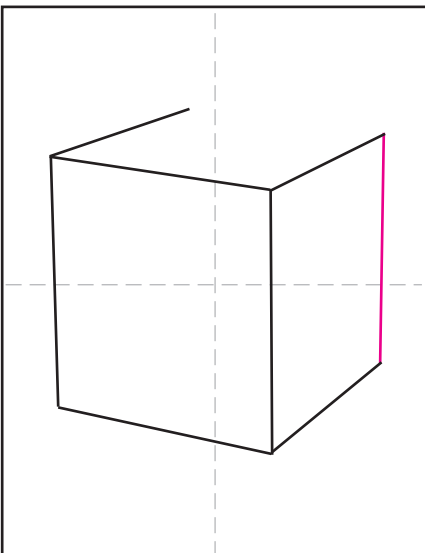
4. Draw one angled side line.



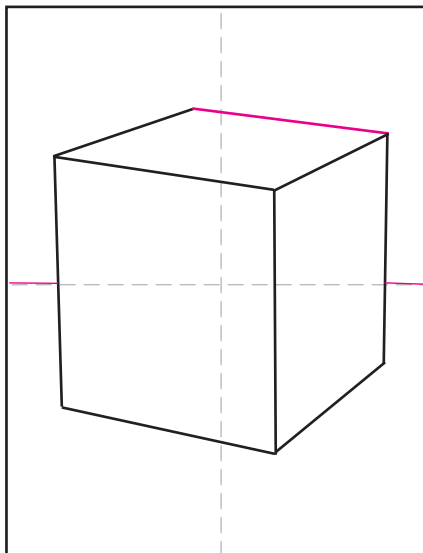
5. Add another side line.



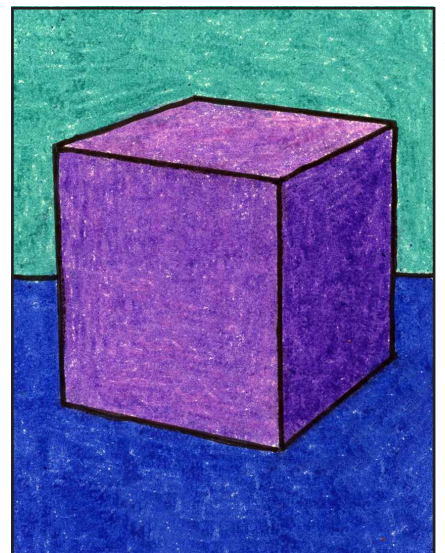
6. Draw one more side line.



7. Connect the back with a vertical line.



8. Finish the back connecting as shown.



9. Trace with a marker and color.

Cube

