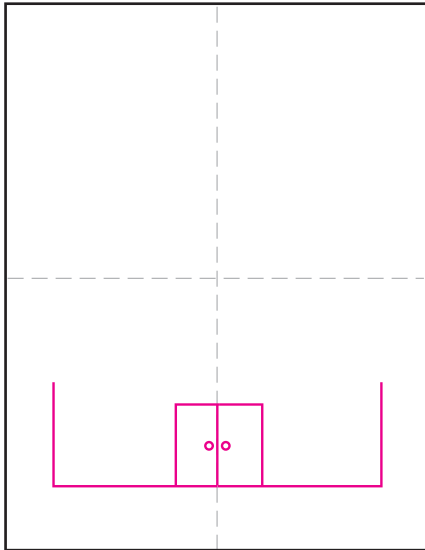
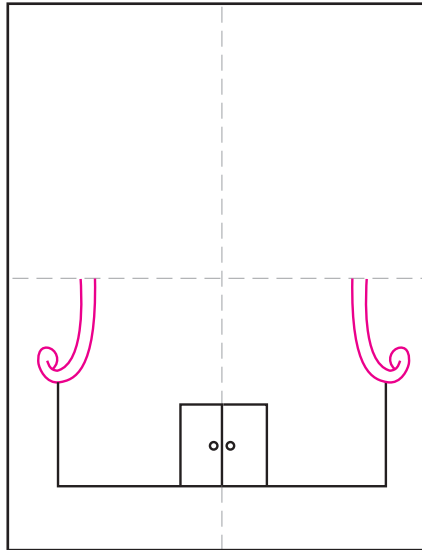


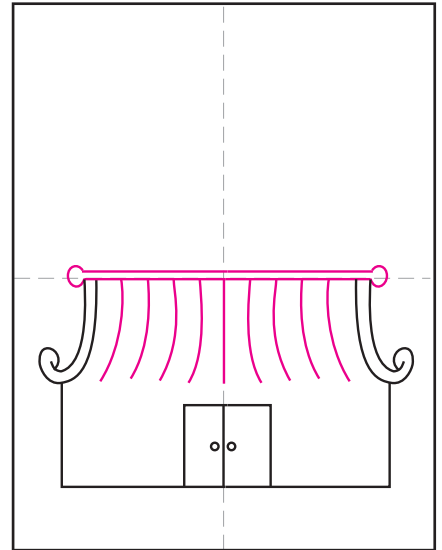
# Draw a Pagoda



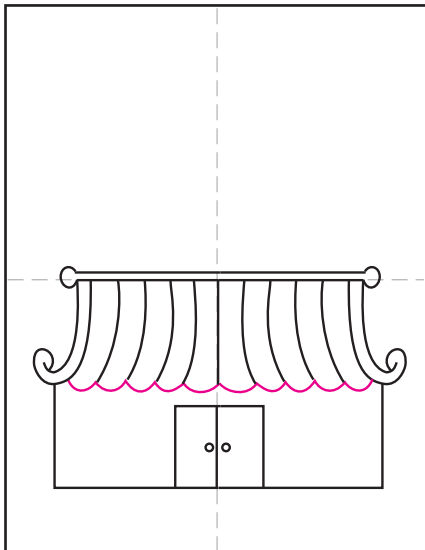
1. Start with the bottom door and walls.



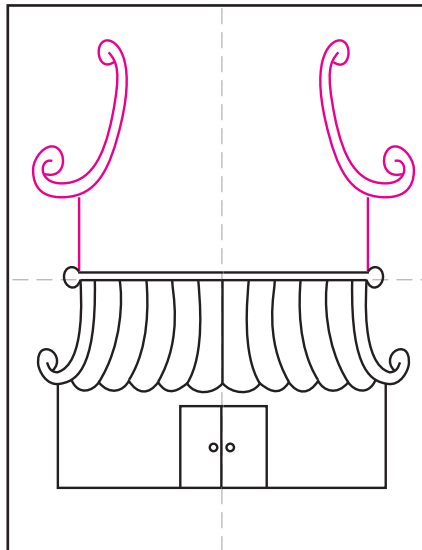
2. Draw the curvy sides of the roof.



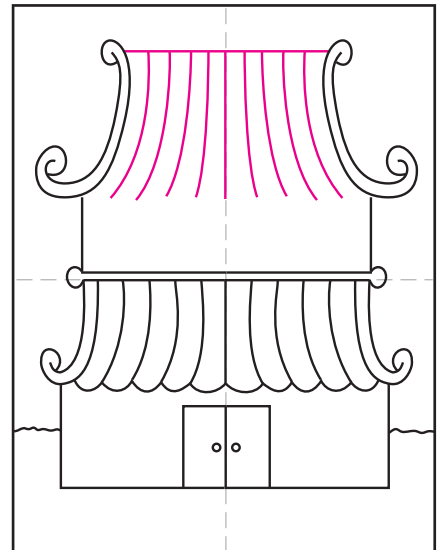
3. Add the roof top and curved lines.



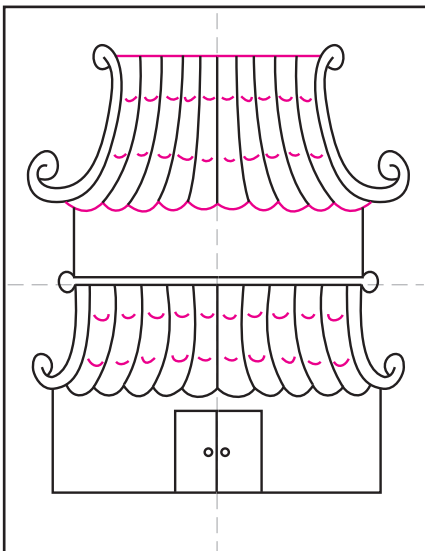
4. Finish the roof with a wavy line.



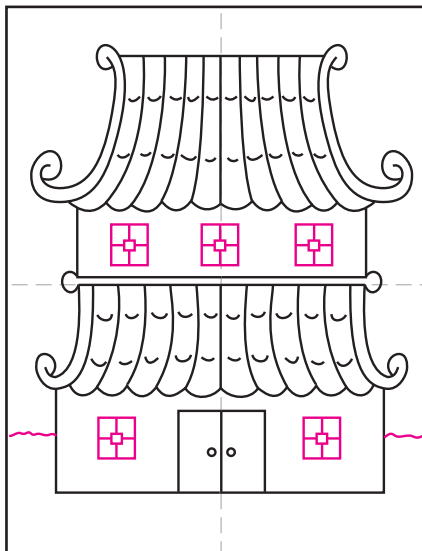
5. Start top floor walls and curve sides.



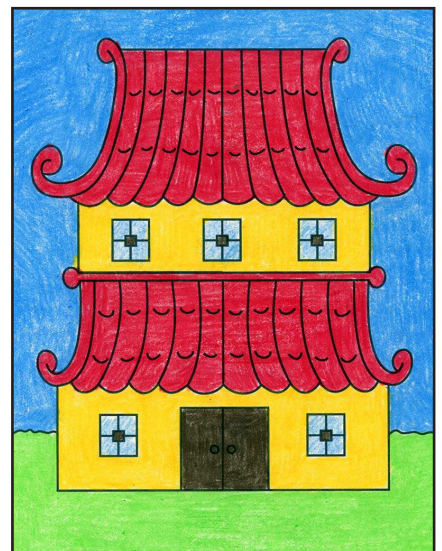
6. Draw top of roof and roof lines.



7. Finish with a wavy line and add details.



8. Add the windows and a horizon line.



9. Trace with a marker and color.



# Pagoda

