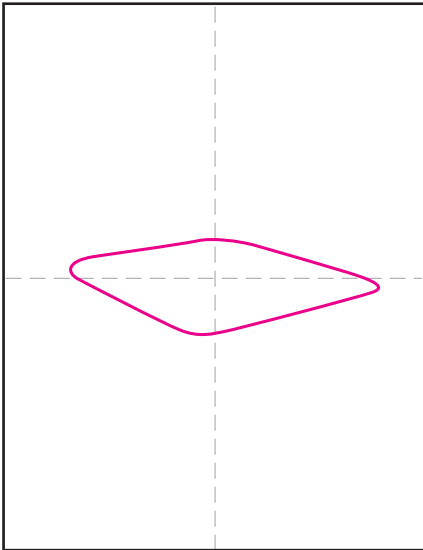
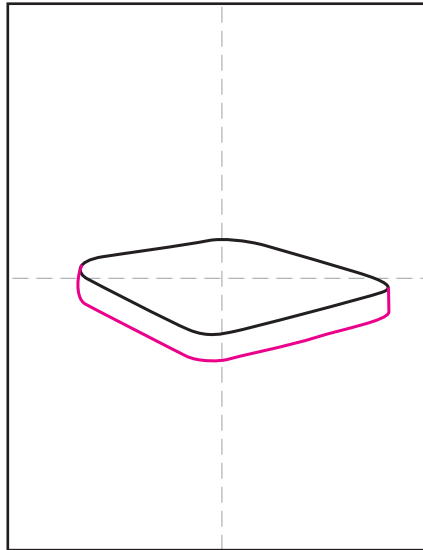


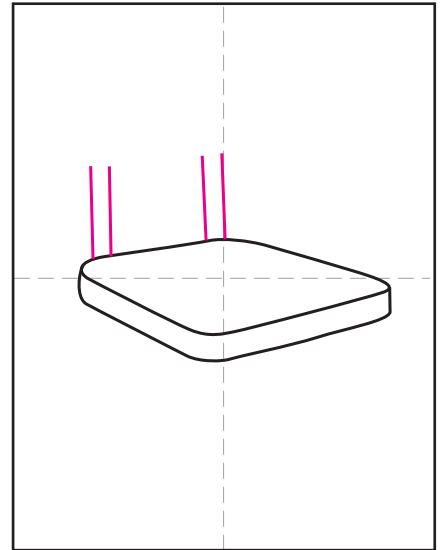
How to Draw a Chair



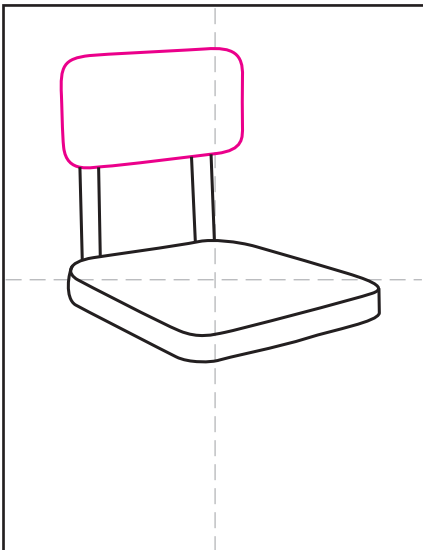
1. Draw a rounded diamond as shown.



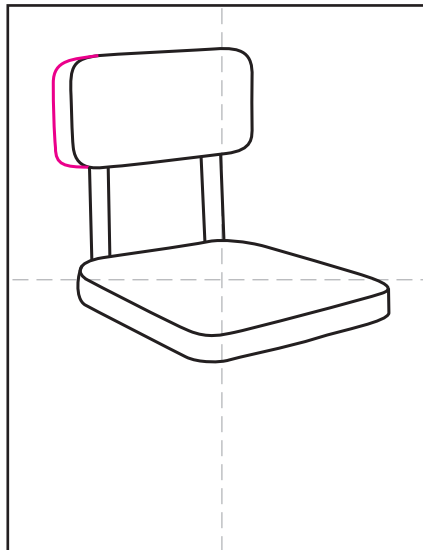
2. Add a side edge below it.



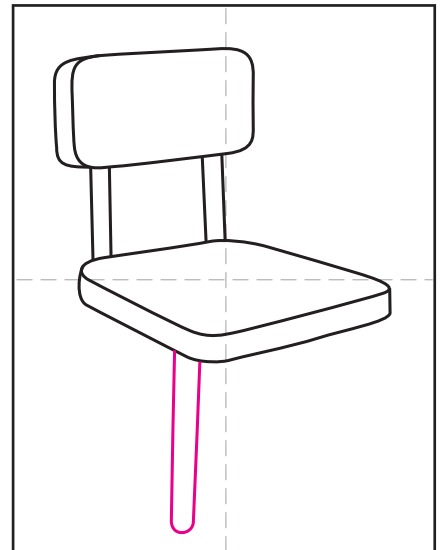
3. Start two poles at the back.



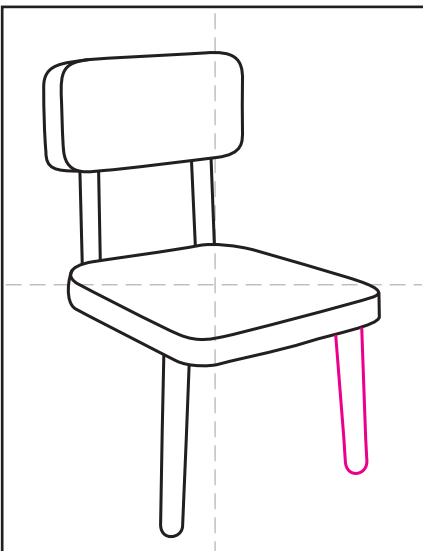
4. Add a rounded rectangle for the back.



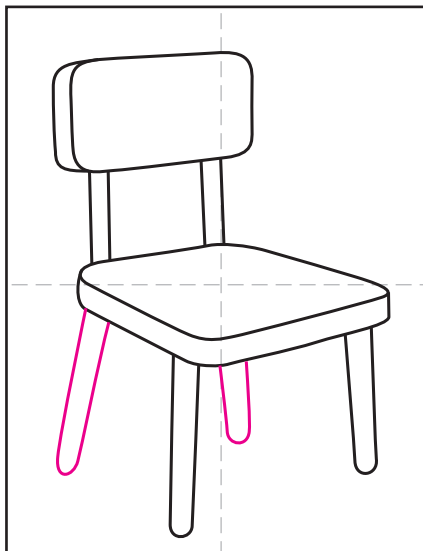
5. Add an edge to the side.



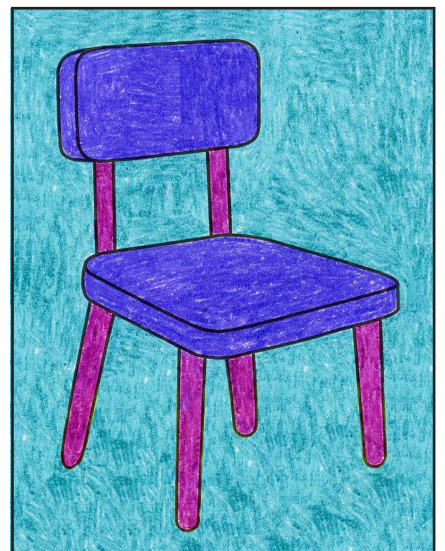
6. Draw the front left leg.



7. Draw the front right leg.



8. Finish with the two back legs.



9. Trace with a marker and color.

Chair

