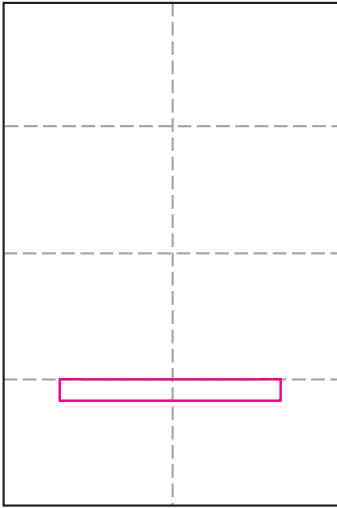
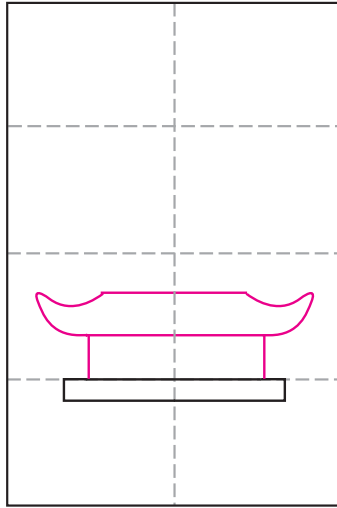


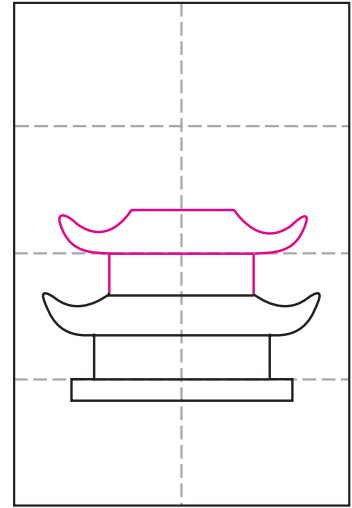
How to Paint a Pagoda



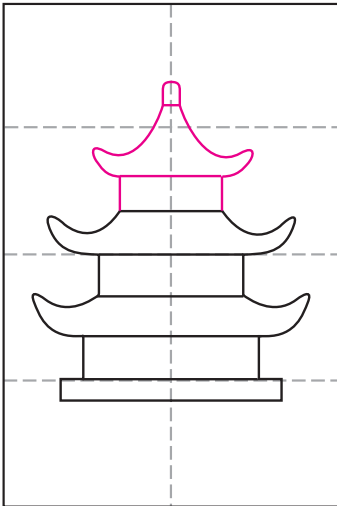
1. Use a ruler to draw the grid lines. Draw a thin, wide rectangle.



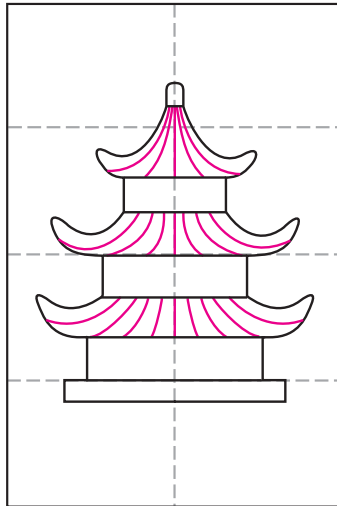
2. Draw one house floor with roof above it.



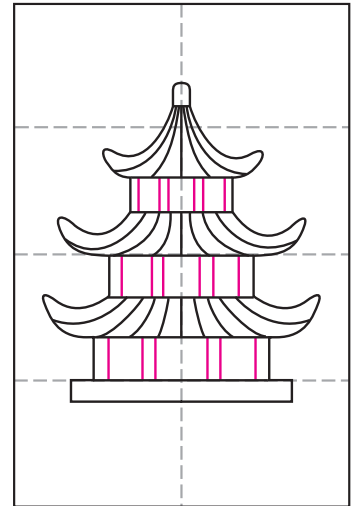
3. Draw another house floor above that. Note that it is not as wide.



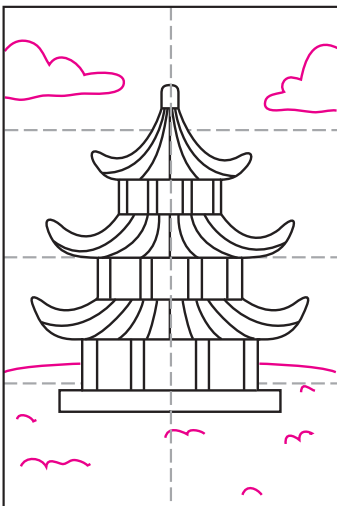
4. Draw another house floor above the middle. Note that it is smaller.



5. Add curved lines to the pagoda roof.



6. Add vertical lines to the pagoda walls.



7. Add a horizon line, grass and clouds.



8. Trace all the lines with a waterbased marker. Fill in the background with the same color.



9. Lightly trace the lines with a wet brush. Gently spread water over the background to turn to watery paint.

Pagoda Painting

