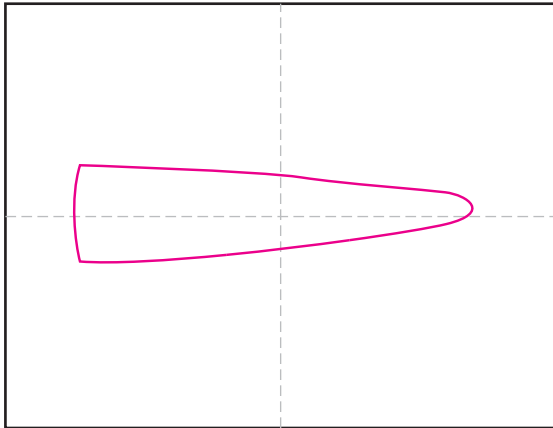
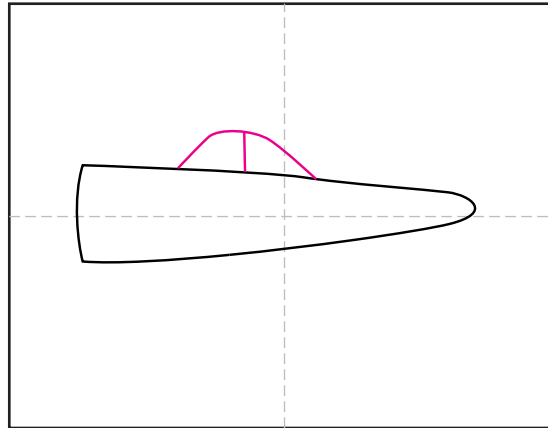


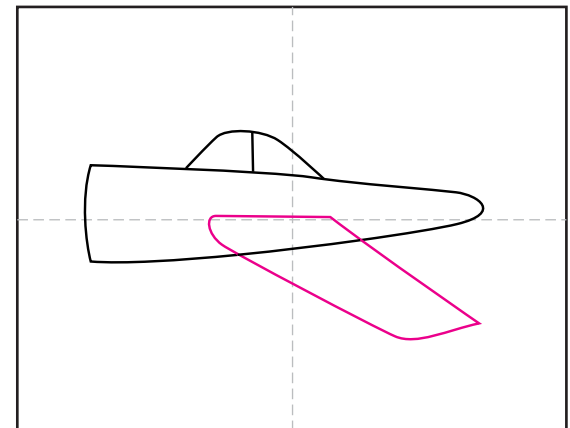
# Draw an Easy Plane



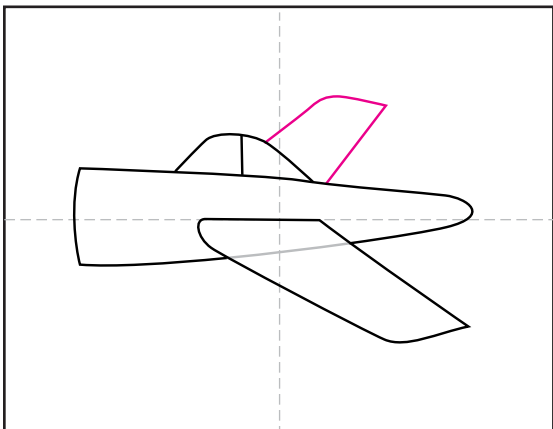
1. Draw the cone shaped body.



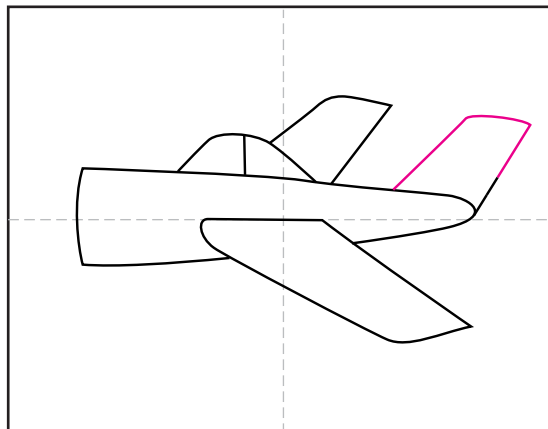
2. Add the cockpit window on top.



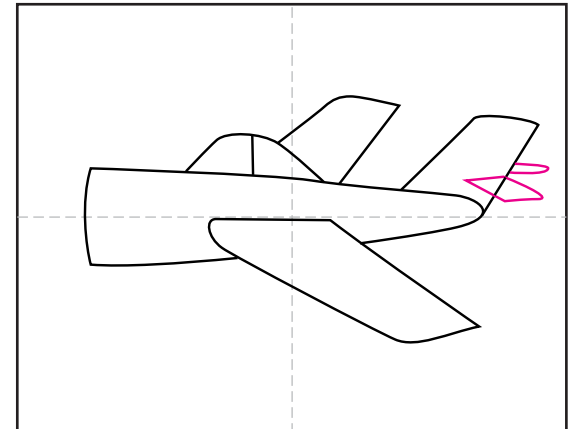
3. Draw one angled wing.



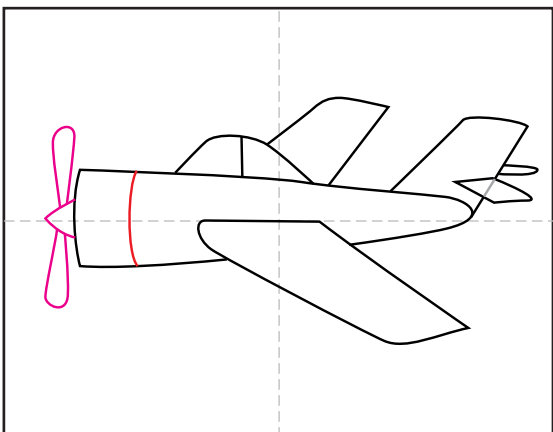
4. Erase inside line. Draw the other wing.



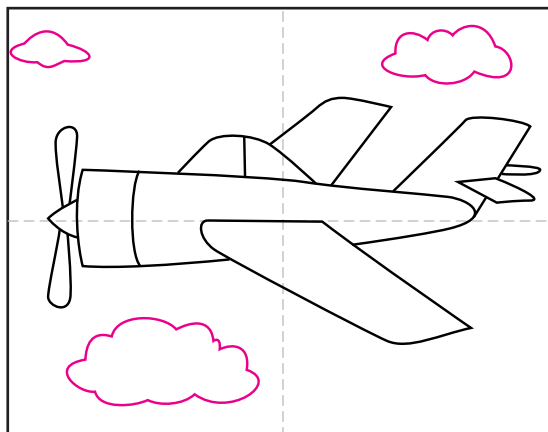
5. Add the fin on the back end.



6. Add two tailplanes.



7. Erase inside tailplanes, and add a propeller.



8. Draw large and small surrounding clouds.



9. Trace with a marker and color.



# Draw an Easy Plane

