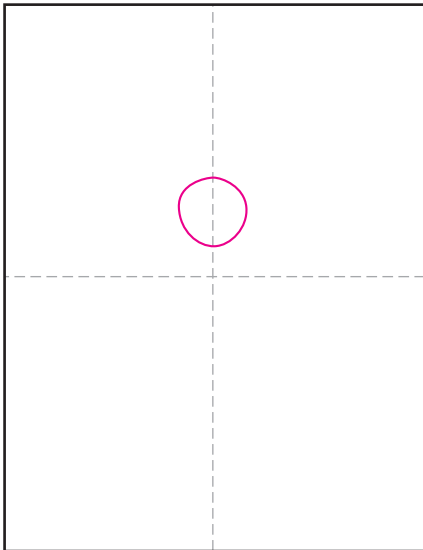
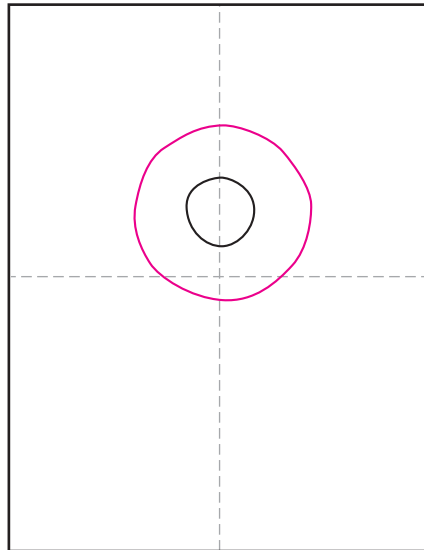


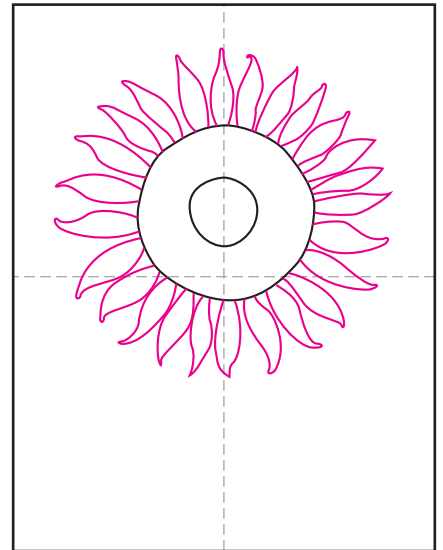
# How to Paint a Sunflower



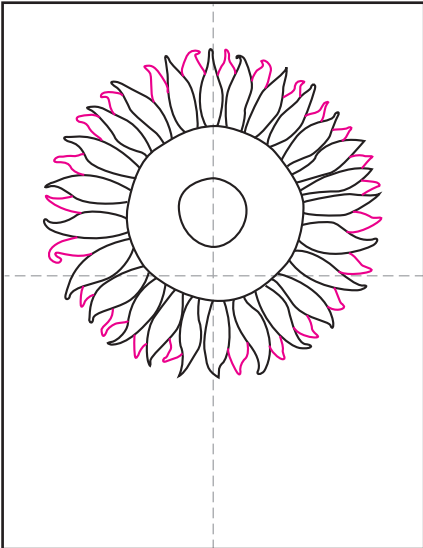
1. Draw a circle.



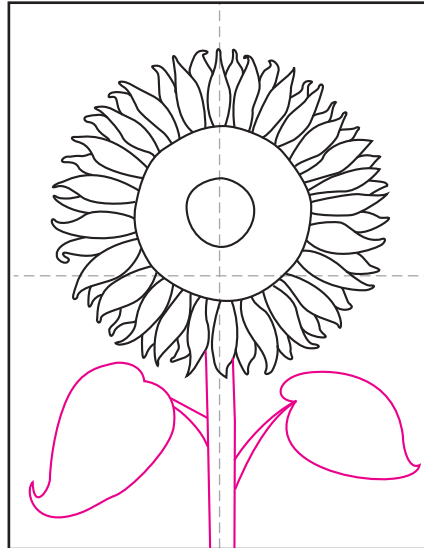
2. Draw a circle around it.



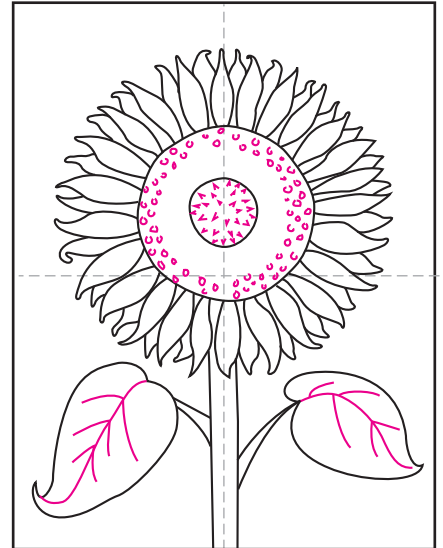
3. Add petals around the outer circle.



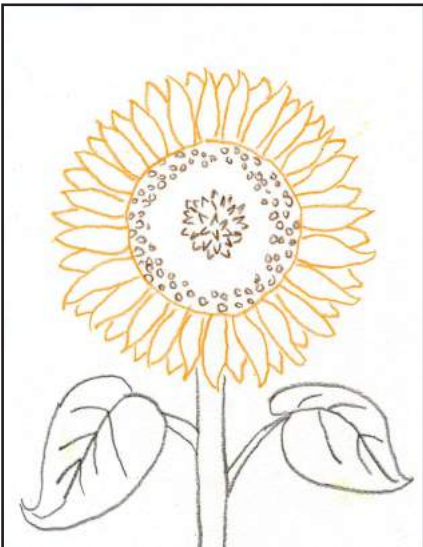
4. Draw more petals in between.



5. Draw a stem and leaves.



6. Add details inside leaves, flower.



7. Trace the flower with yellow, brown and black crayons.



8. Paint the flower with yellow, brown and green paint.



9. Paint background with a contrasting color.



# Paint a Sunflower

