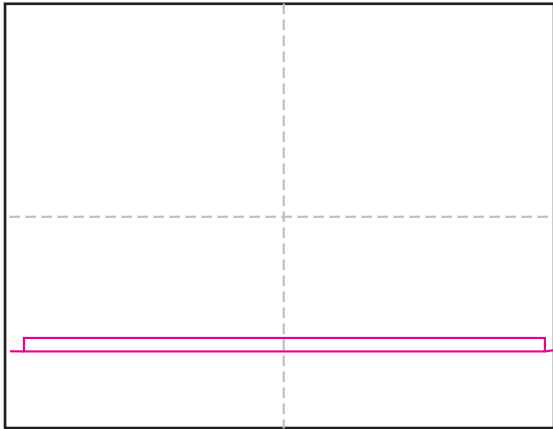
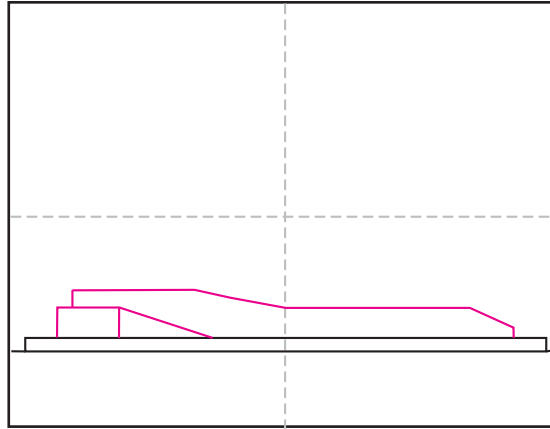


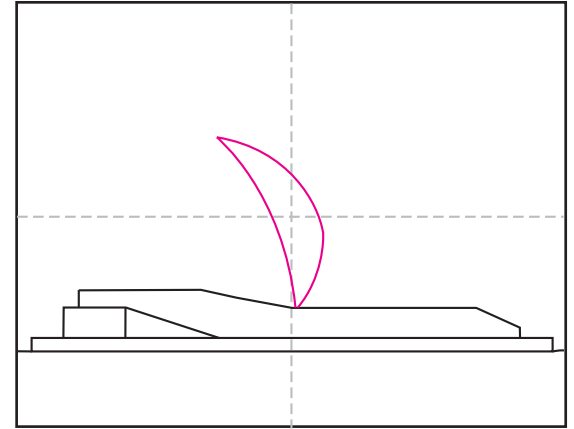
# Draw the Sydney Opera House



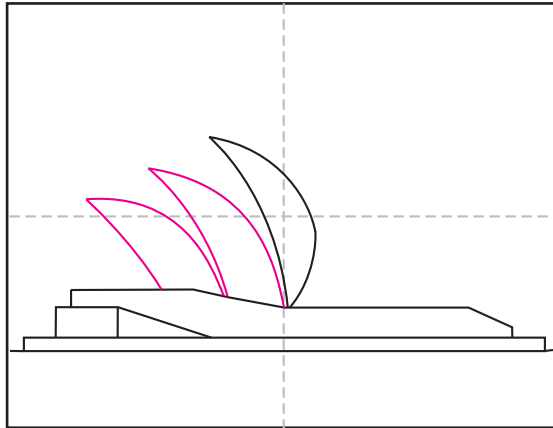
1. Draw a long rectangle for the base.



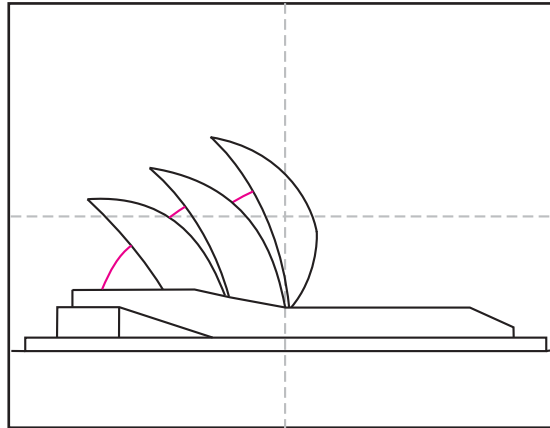
2. Add the wall sections above it.



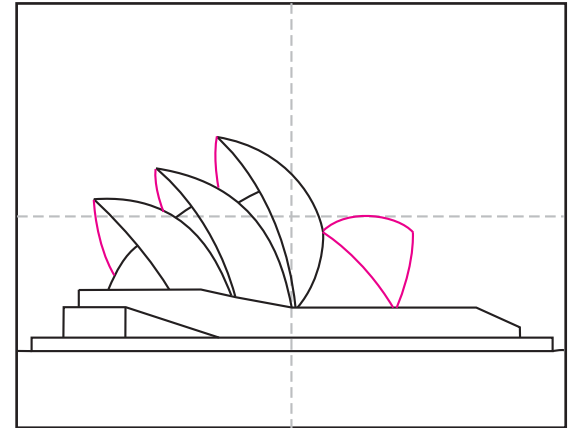
3. Draw the center roof shell shape.



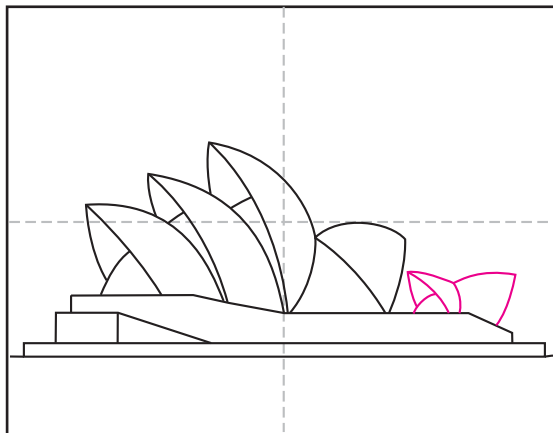
4. Add two more of the roof shell shapes.



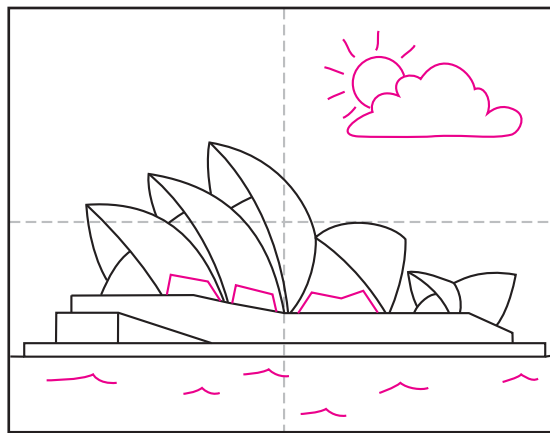
5. Connect with three curved lines.



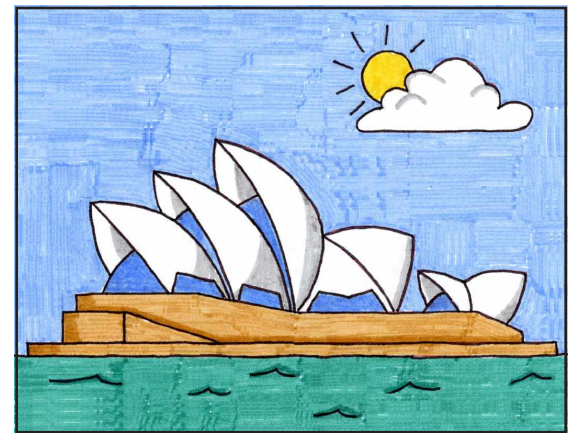
6. Add back side curve and smaller roof.



7. Draw smallest section on the right.



8. Add building details, water and sky.



9. Trace with a black marker and color.

# Sydney Opera House

