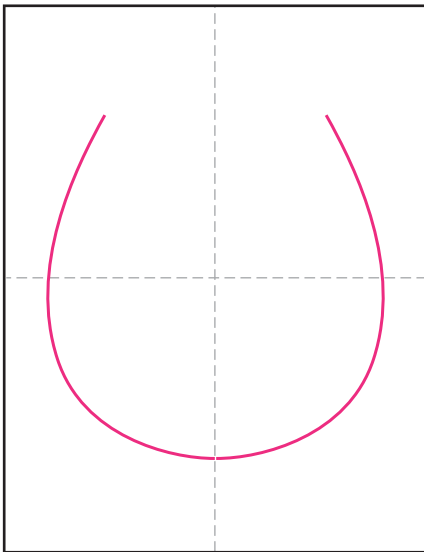
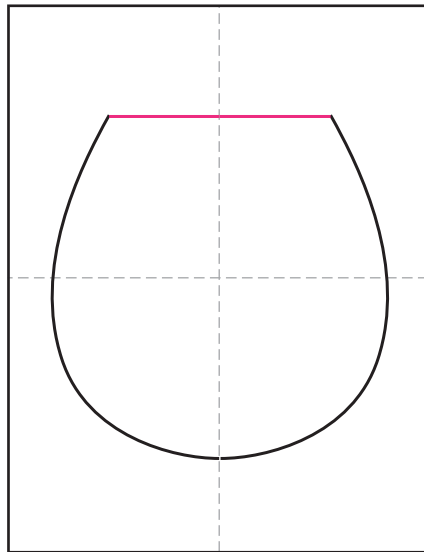


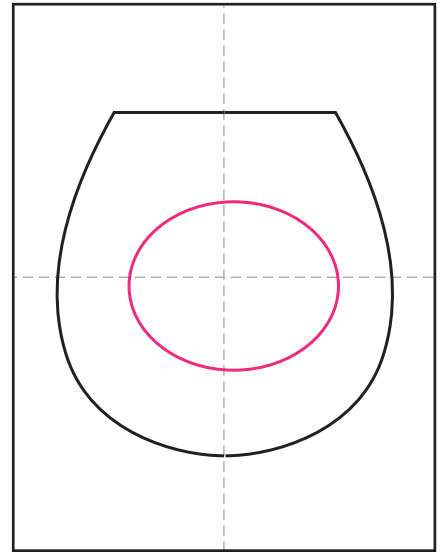
Draw a Fish Bowl



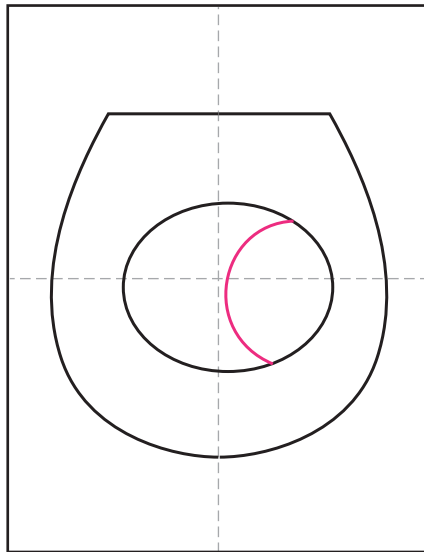
1. Draw a large U.



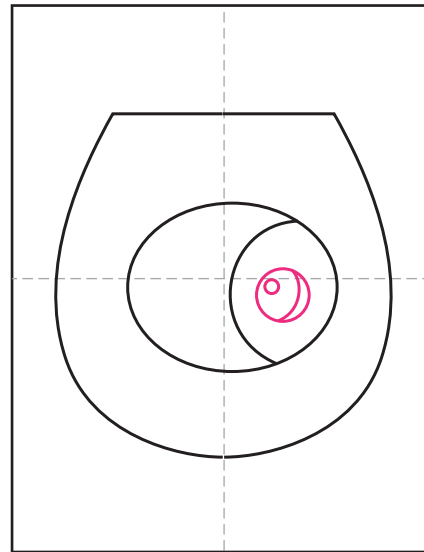
2. Close the top.



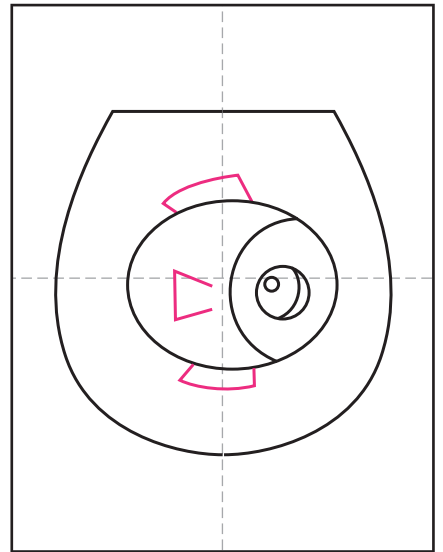
3. Draw an oval.



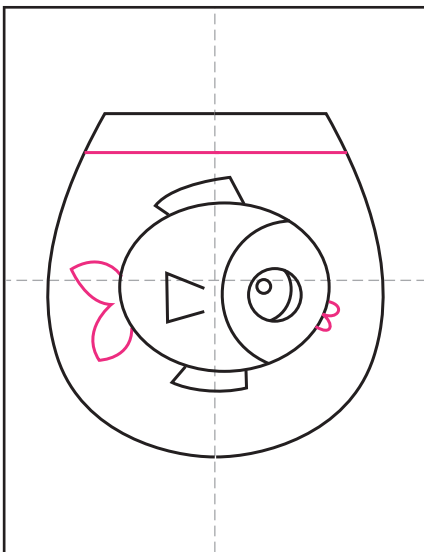
4. Draw the face line.



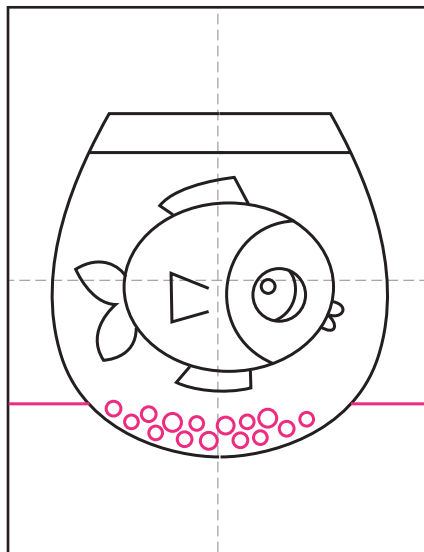
5. Add an eye.



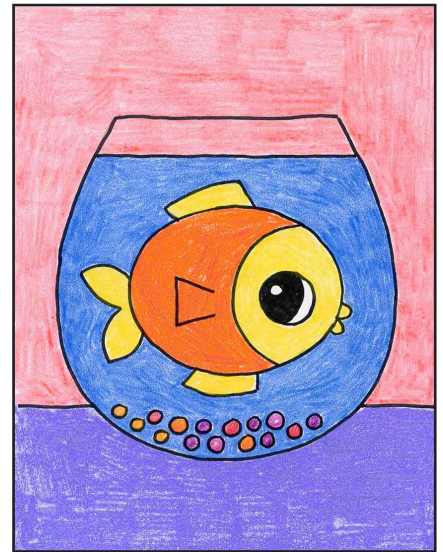
6. Add fins.



7. Add a tail and lips.



8. Finish with balls and table.



9. Trace with a marker and color.

Fish Bowl

