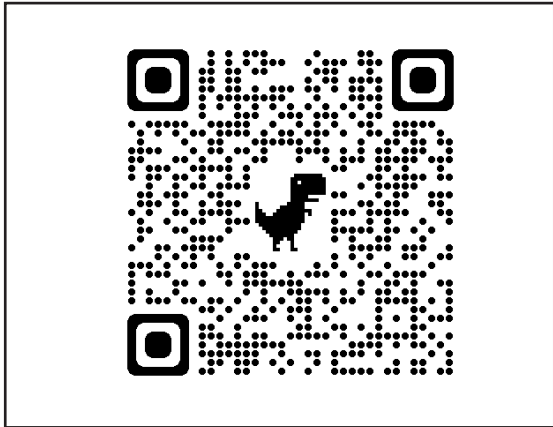
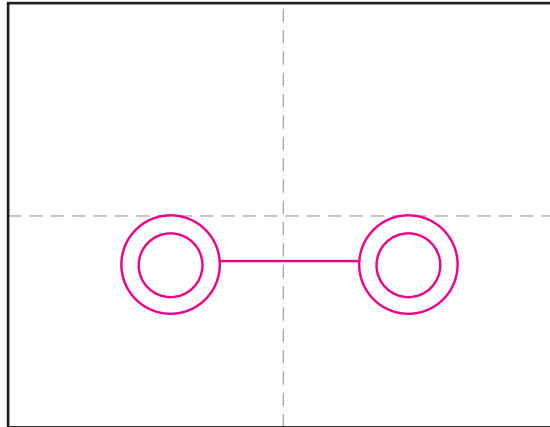


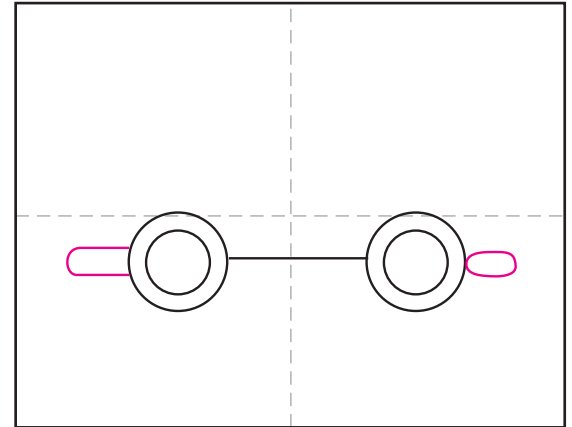
# How to Draw an Easy Car



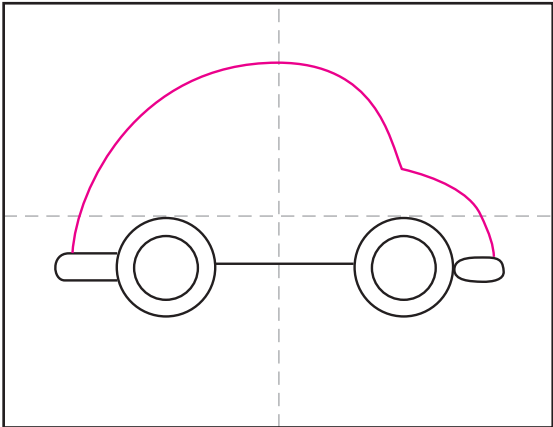
Scan to see a matching YouTube Car video.



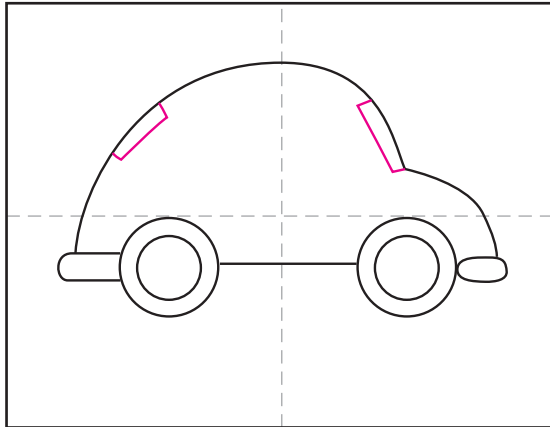
2. Draw two wheels, and add inside circles and line.



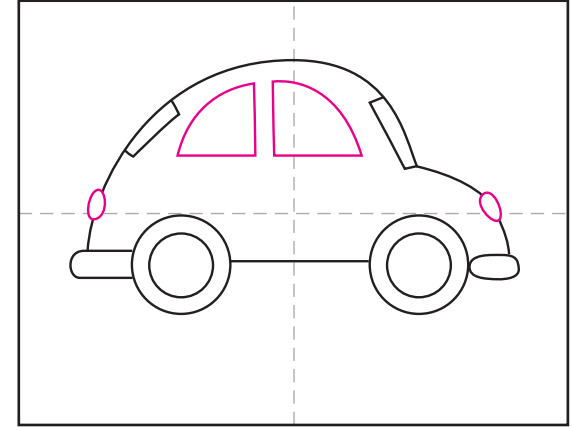
3. Draw front and back bumper.



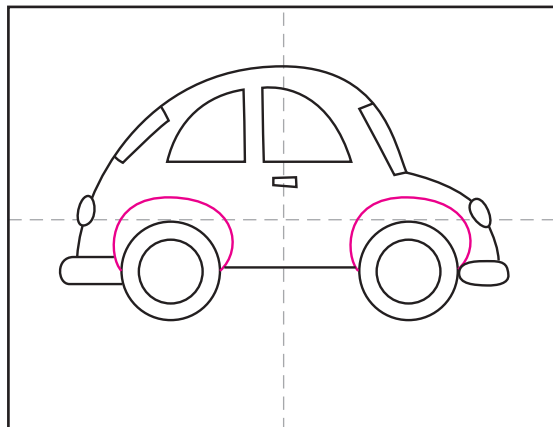
4. Draw the car body.



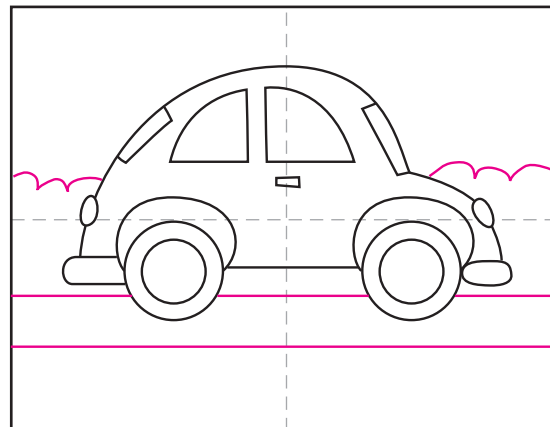
5. Add front and back windows.



6. Draw two side windows and lights.



7. Add bumpers around the wheels.



8. Draw a road and a background.



9. Trace with a marker and color.

# Easy Car

